




Assembly Information

This cabinet line is assembled with brad nails, a nail gun is required for assembly.

	Nail Gun 18 gauge brad nails, 1 ¼" long.
	General Items Screwdriver, drill, hammer, rubber mallet and other items.

See [our website](#) for additional information and assembly videos.

If you have any questions or need more information, contact the manufacturer at 888-206-1088 or 888-290-9770.

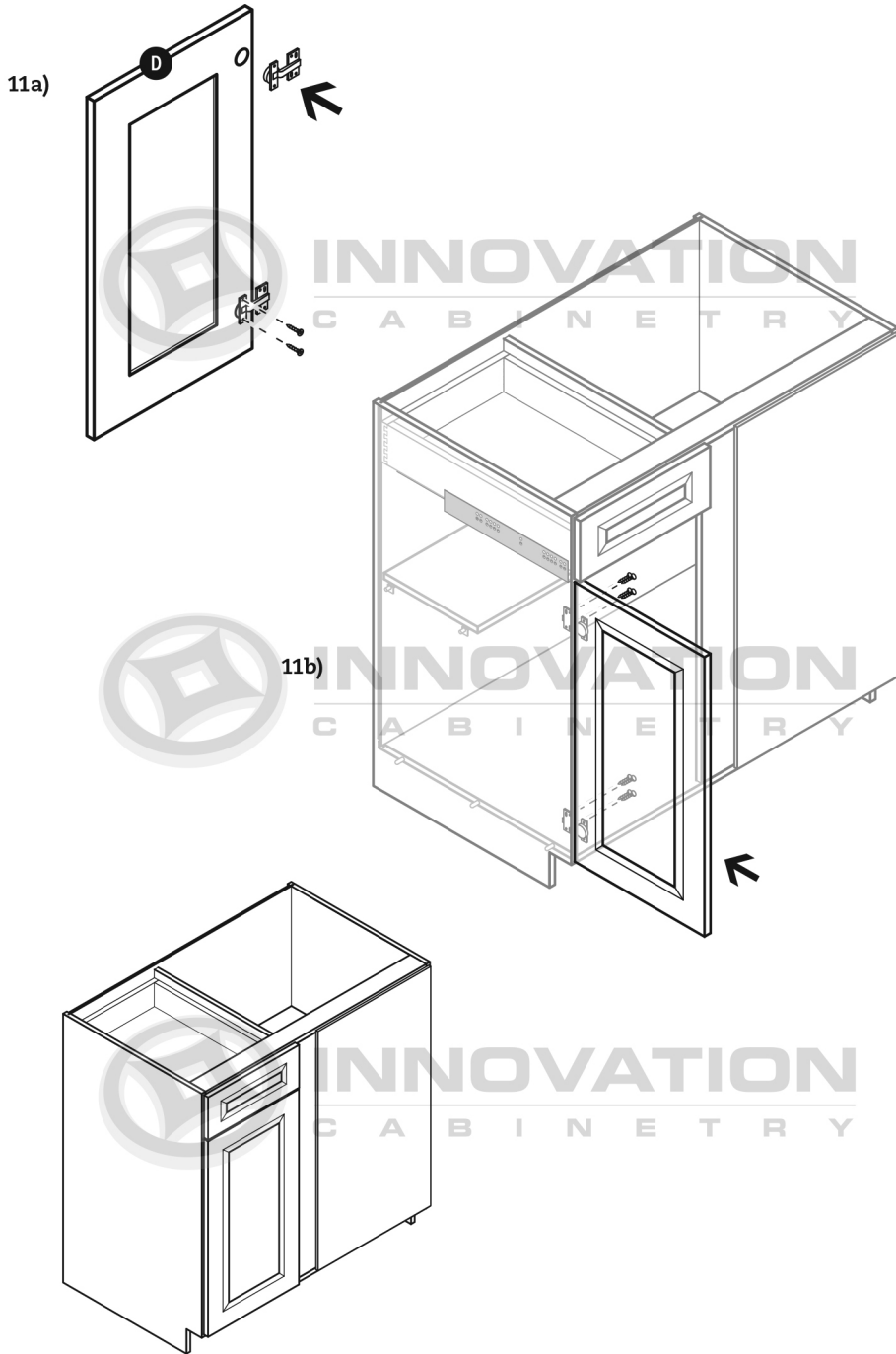
 800-328-1171

 rtacabinetsupply.com

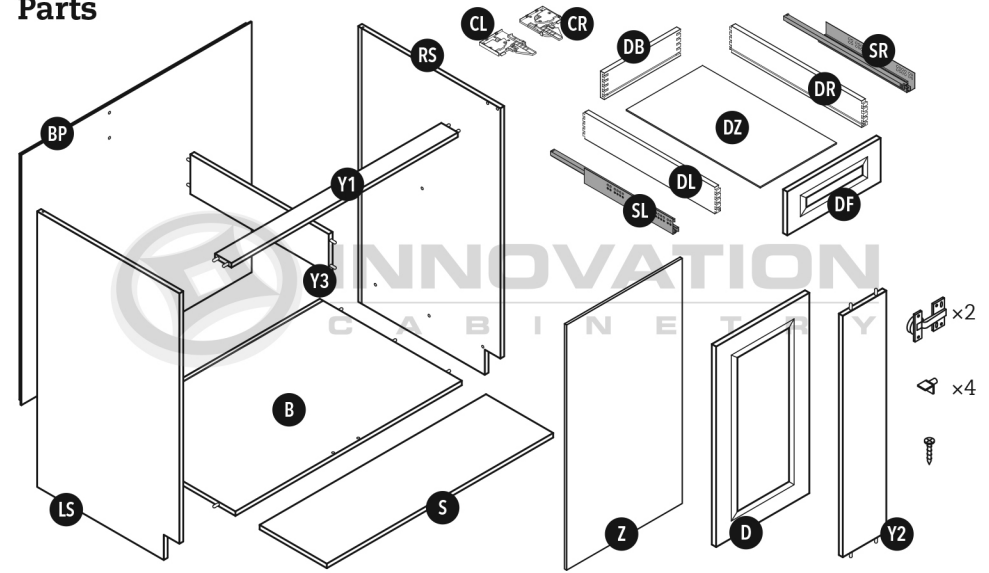
MODEL#: BBC39, BBC42, BBC45

Base Blind Cabinet

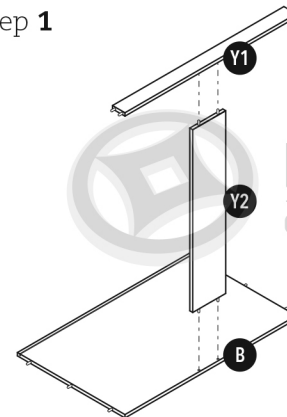
with Deluxe All Wood Box



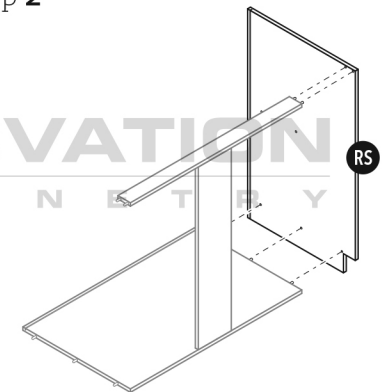
Parts



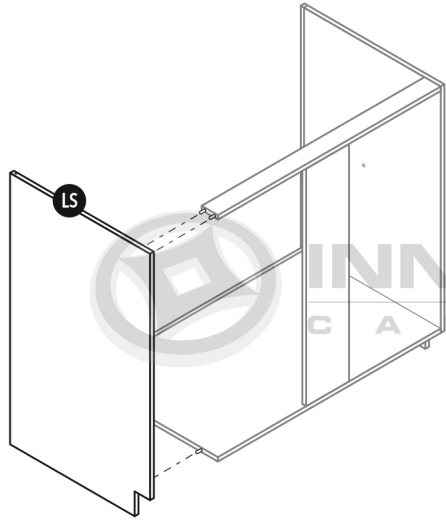
Step 1



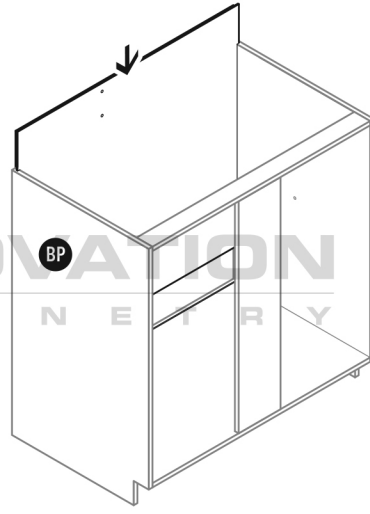
Step 2



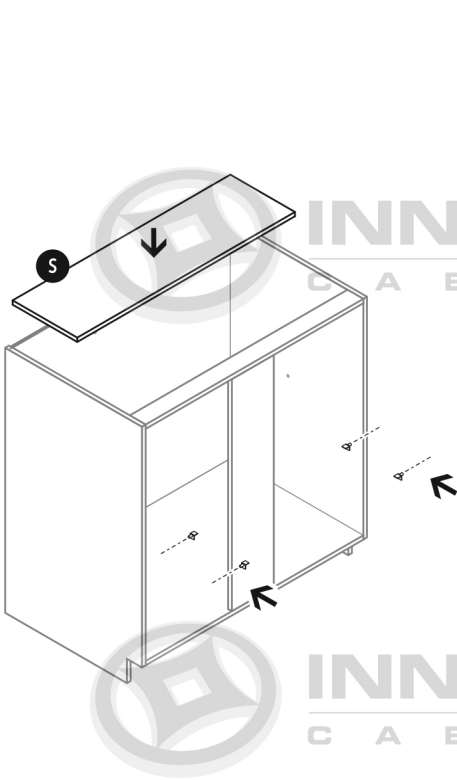
Step 3



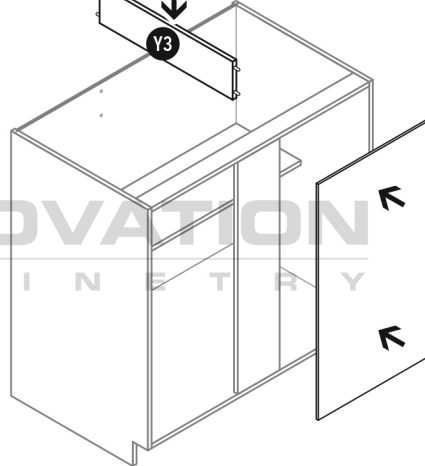
Step 4



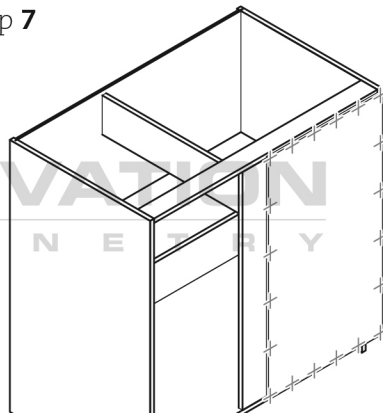
Step 5



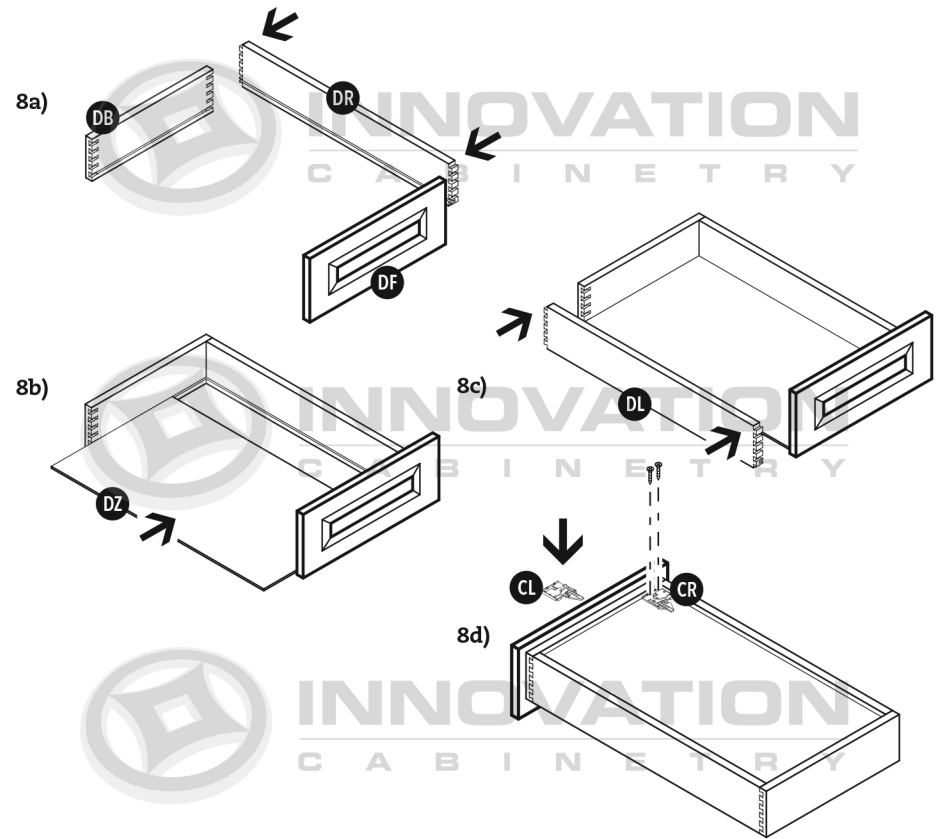
Step 6



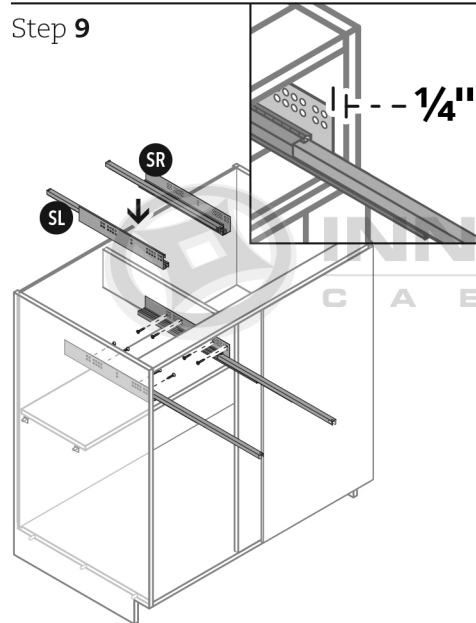
Step 7



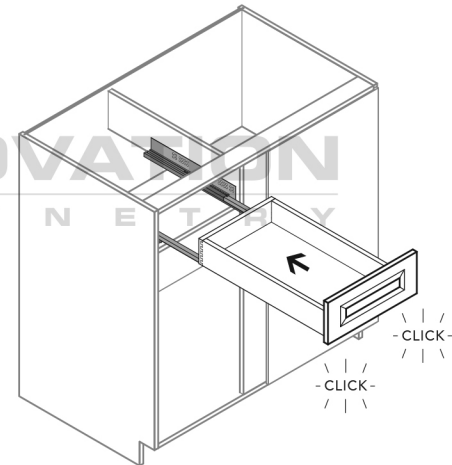
Step 8



Step 9

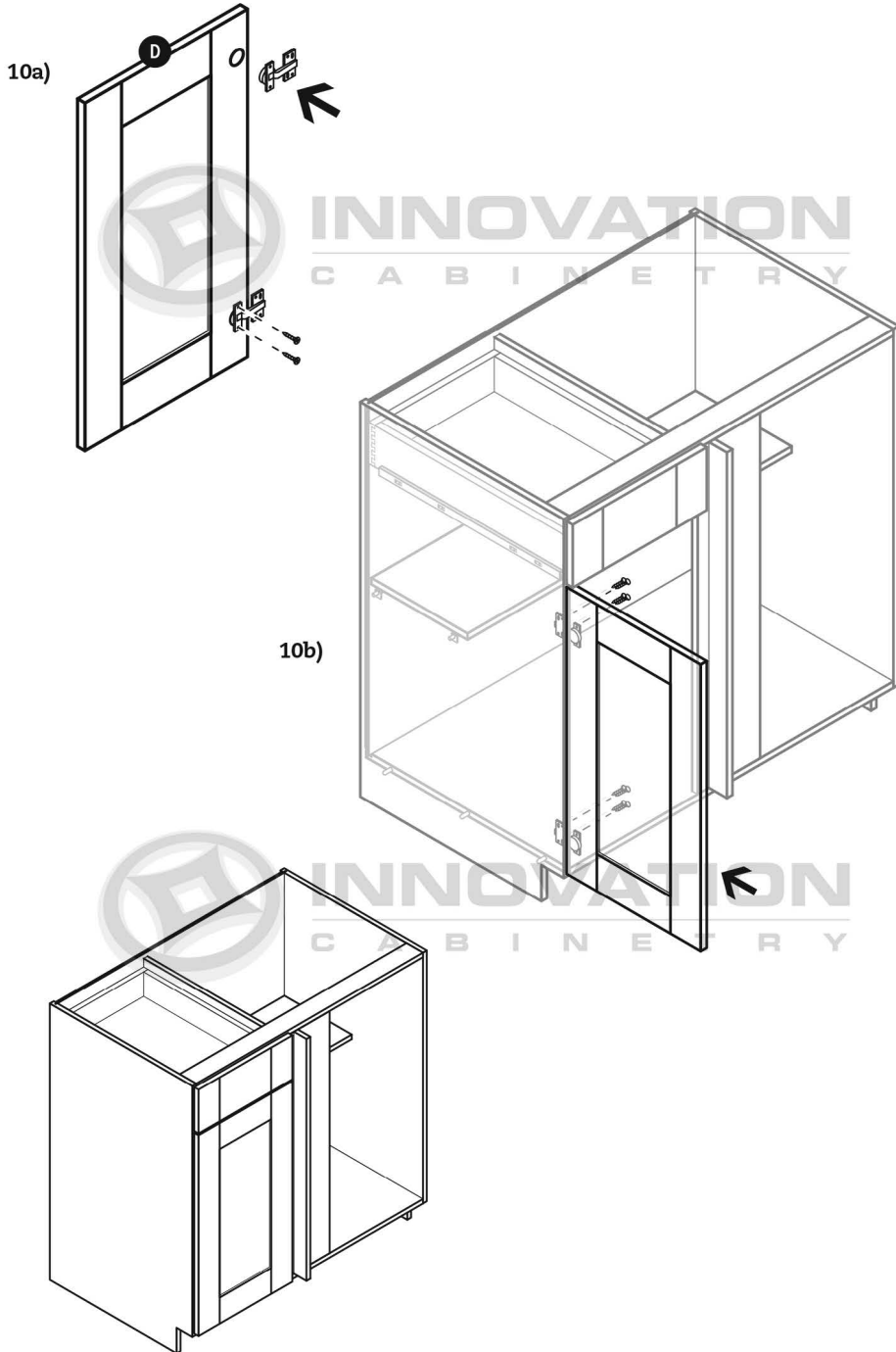


Step 10

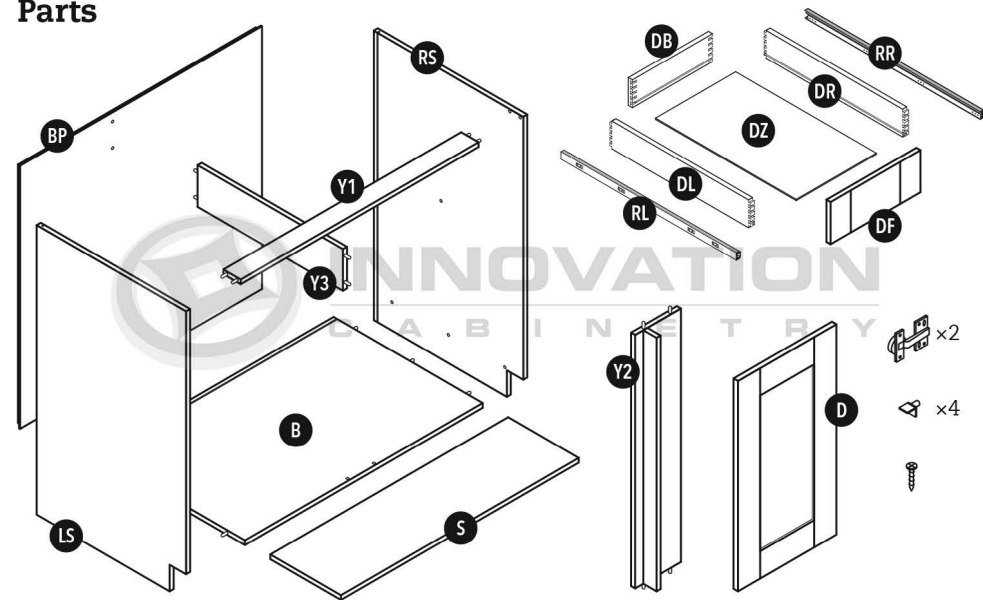


MODEL#: BBC39, BBC42, BBC45

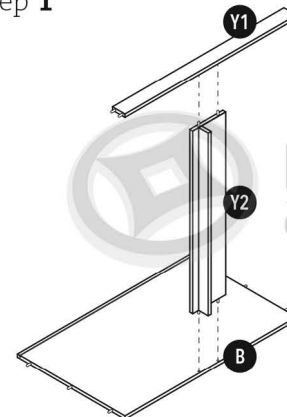
Base Blind Cabinet



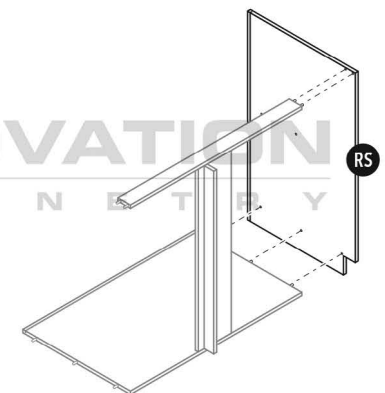
Parts



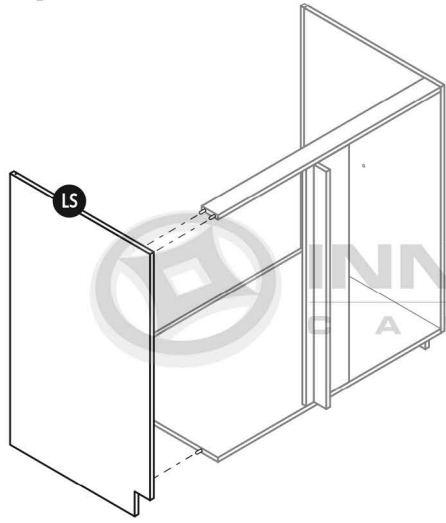
Step 1



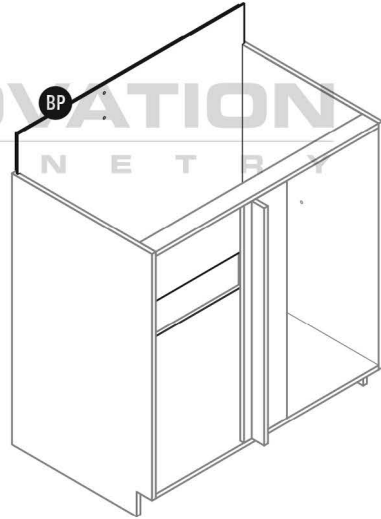
Step 2



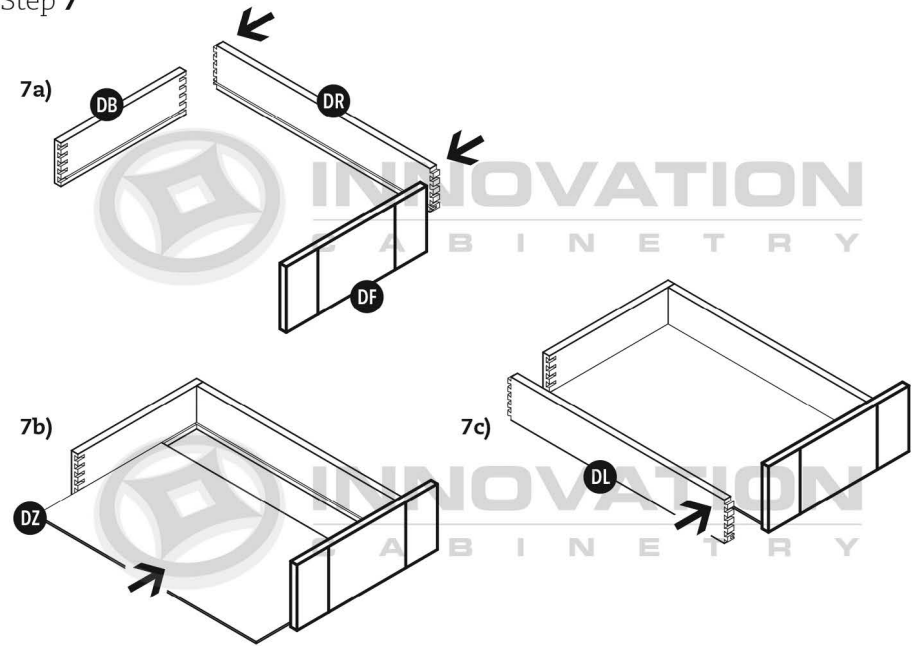
Step 3



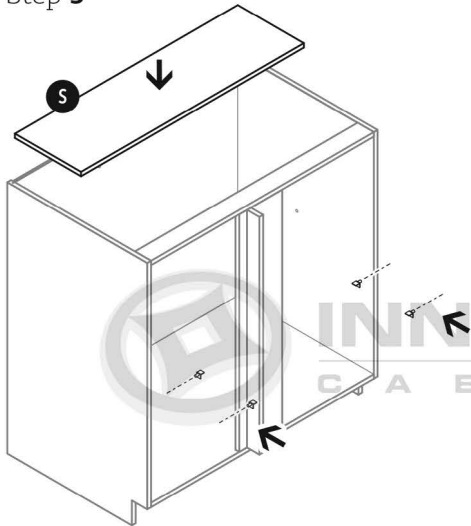
Step 4



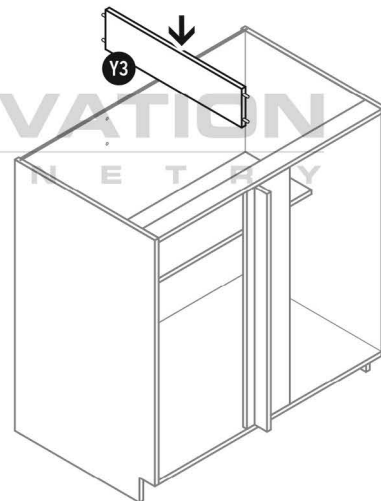
Step 7



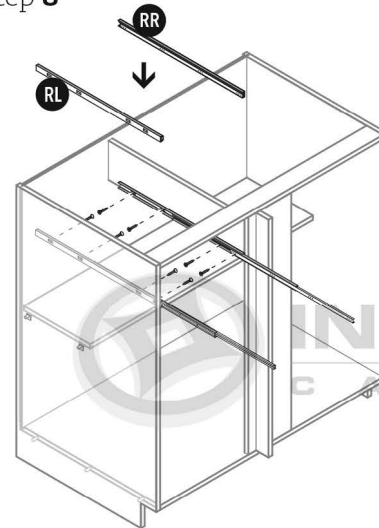
Step 5



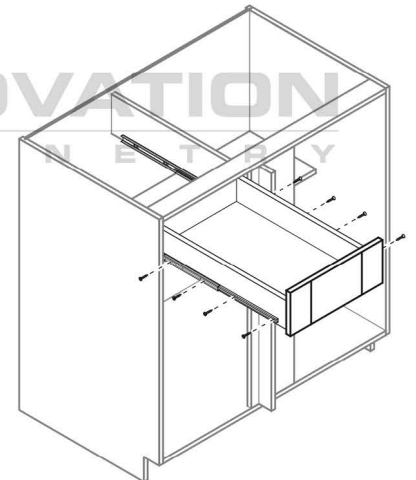
Step 6



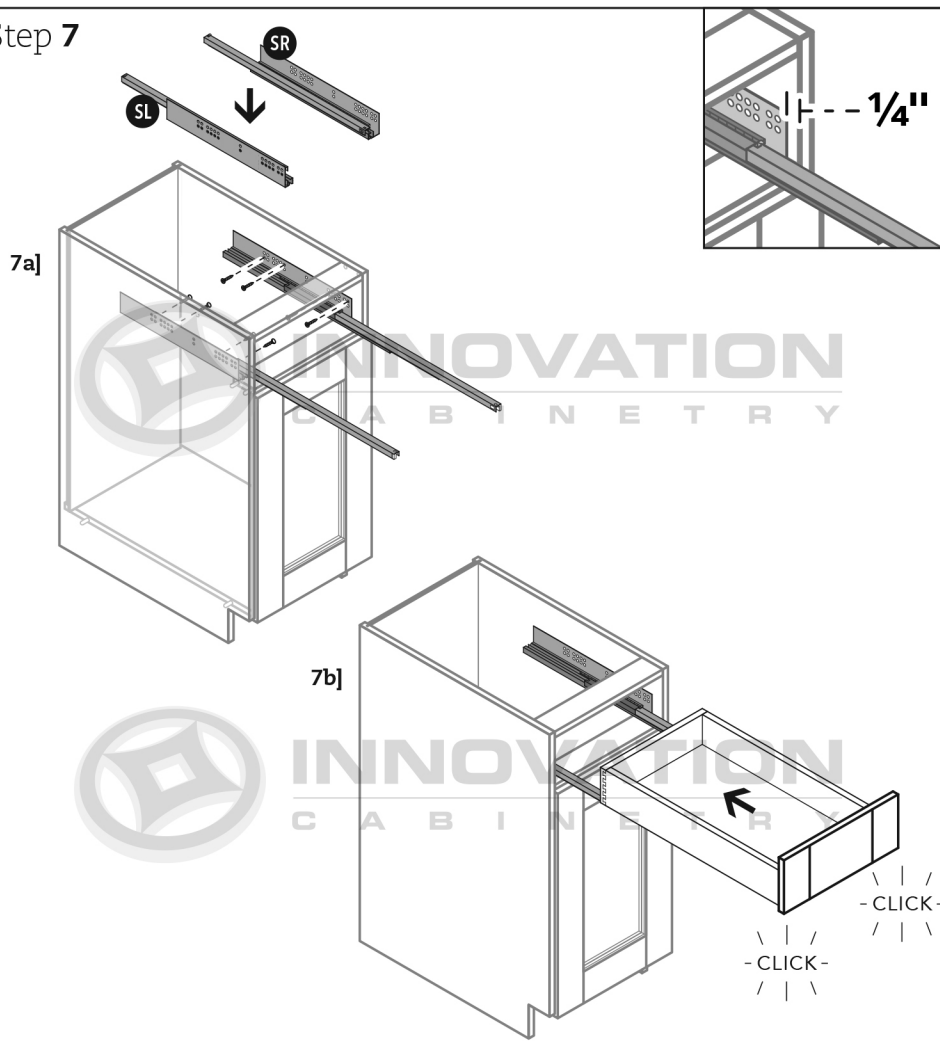
Step 8



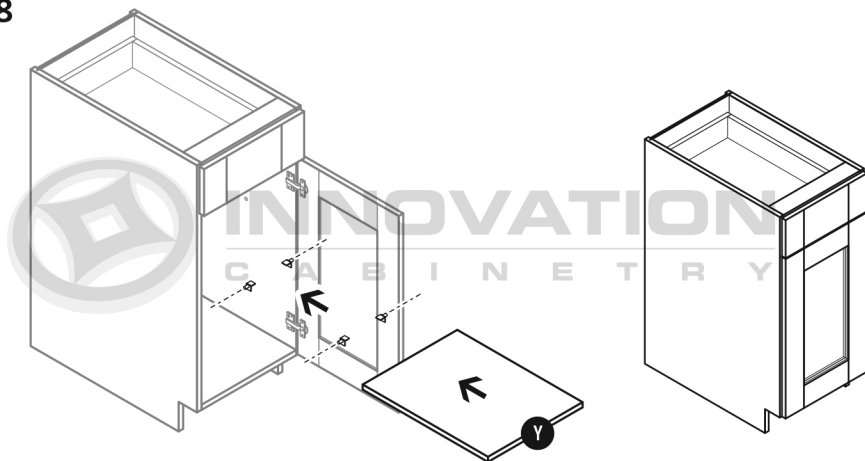
Step 9



Step 7



Step 8

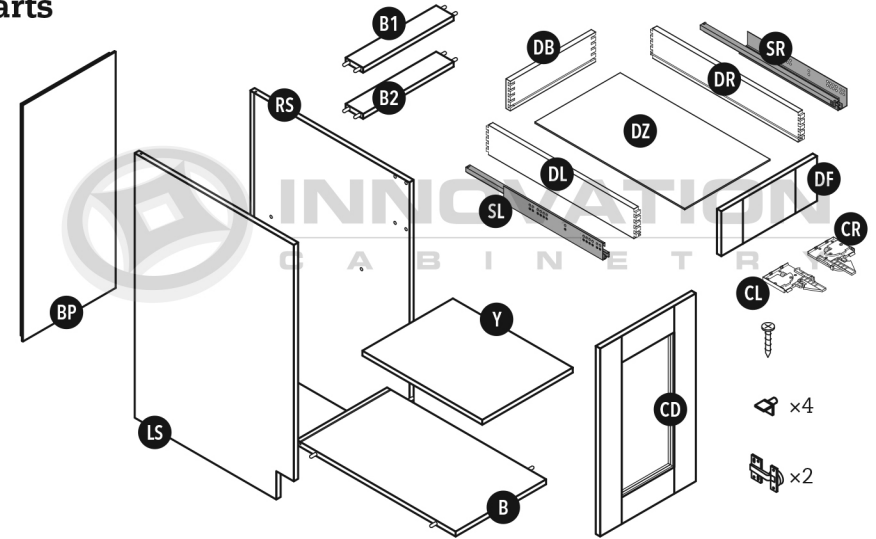


MODEL#: B09, B12, B15, B18, B21

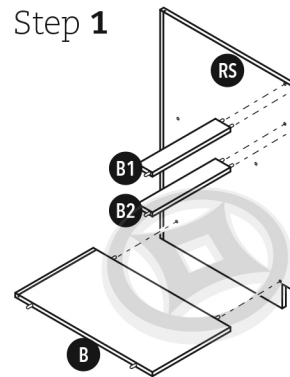
Base Cabinet

with Deluxe All Wood Box

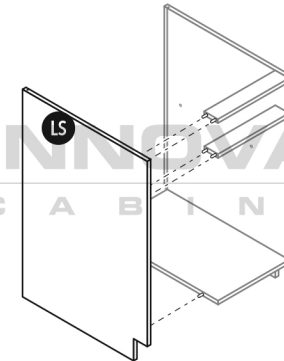
Parts



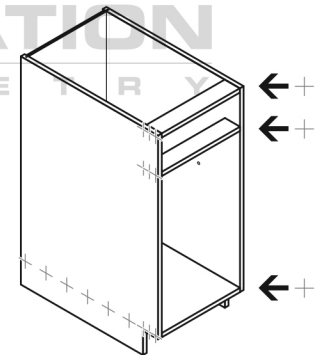
Step 1



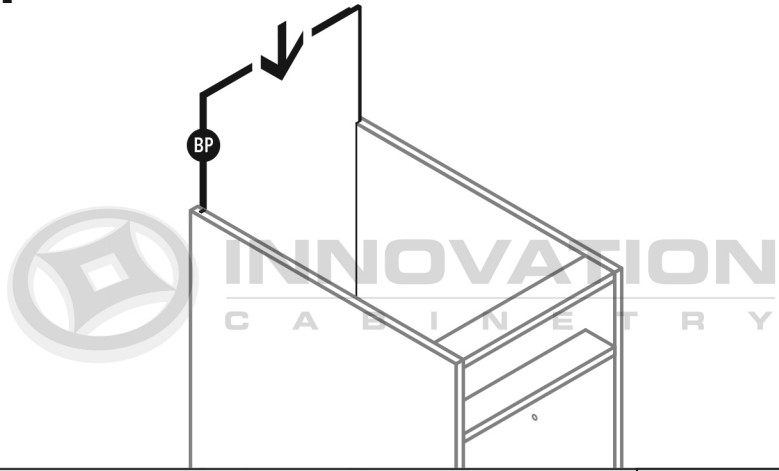
Step 2



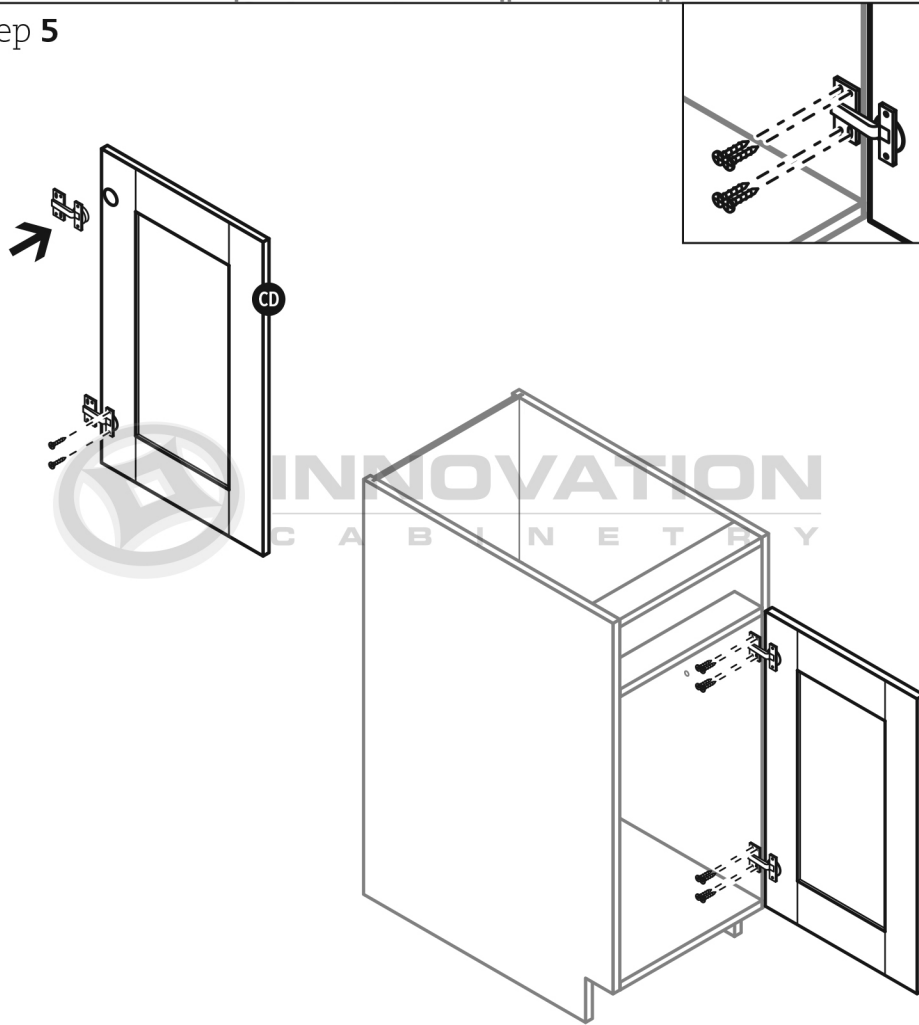
Step 3 + = finish nail



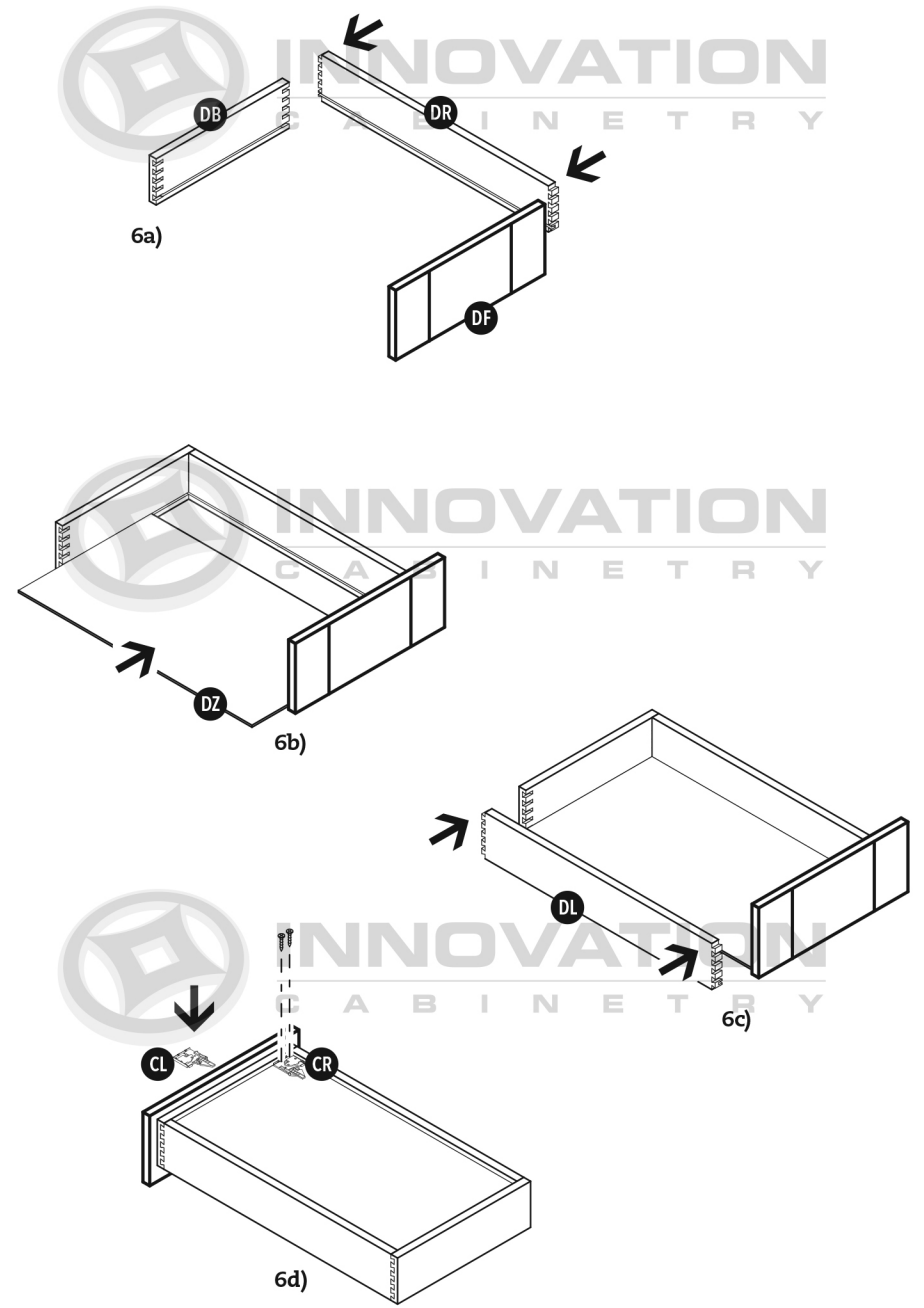
Step 4



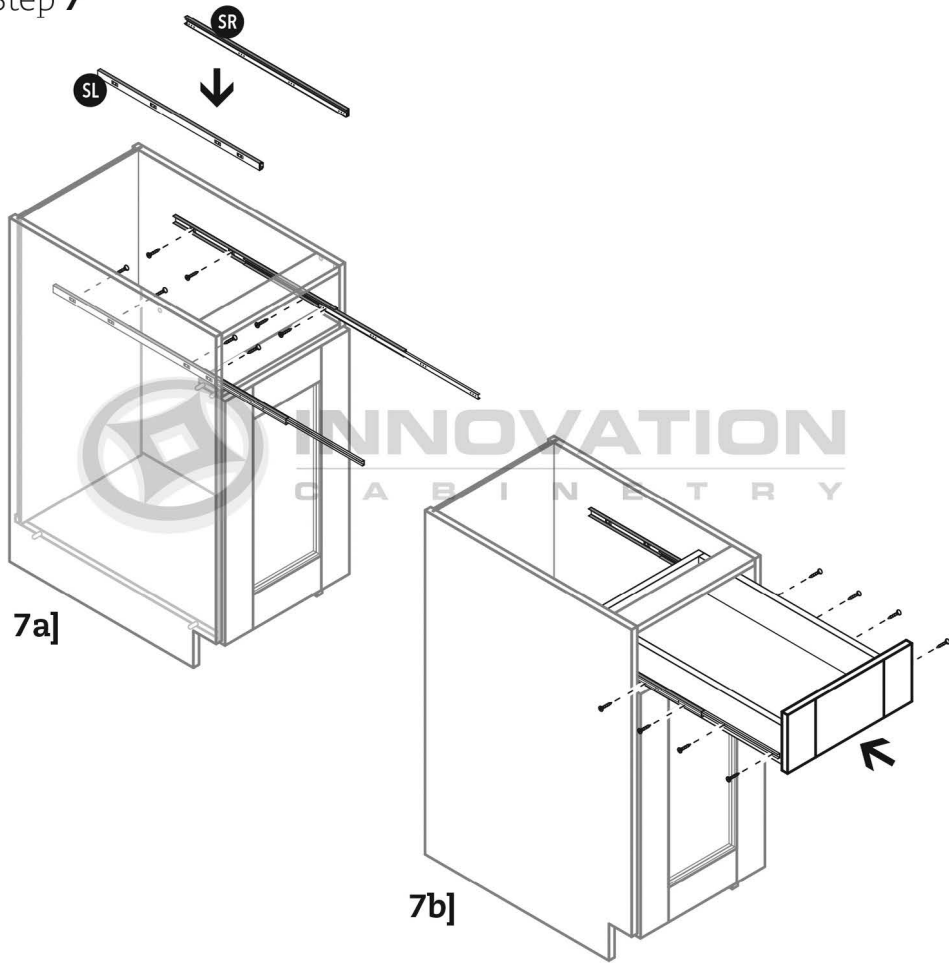
Step 5



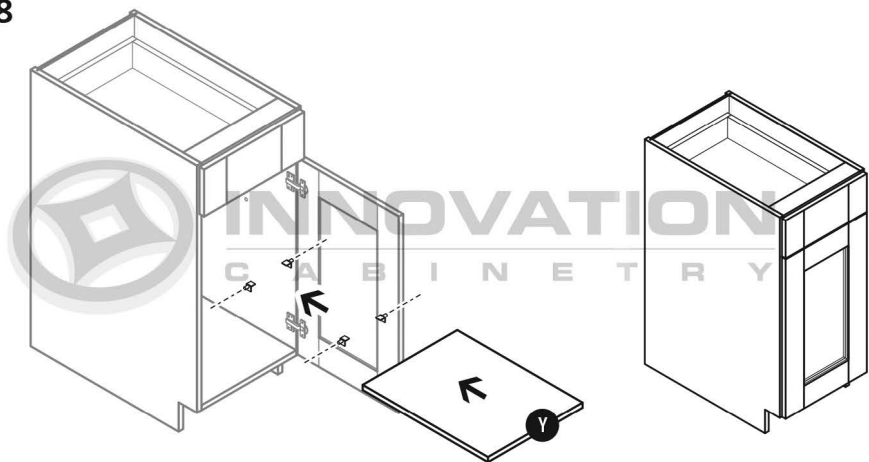
Step 6



Step 7



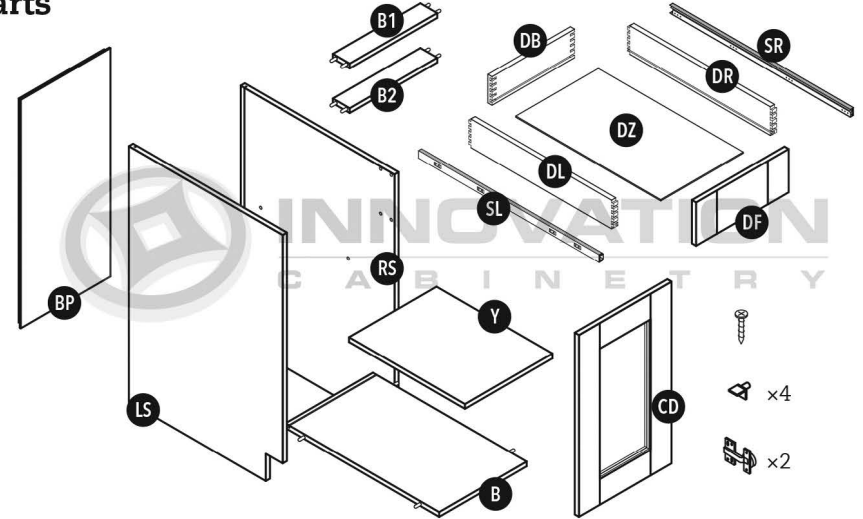
Step 8



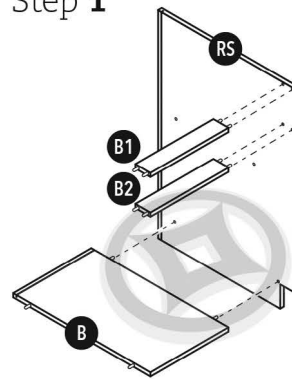
MODEL#: B09, B12, B15, B18, B21

Base Cabinet

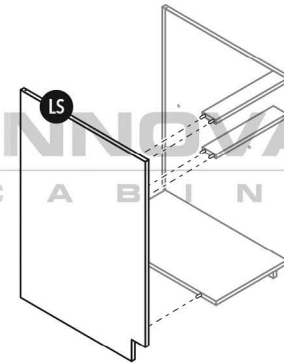
Parts



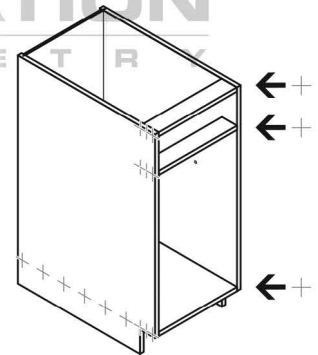
Step 1



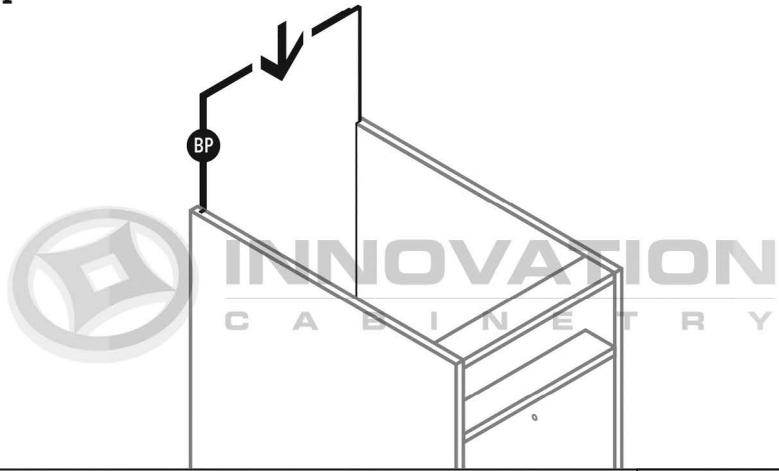
Step 2



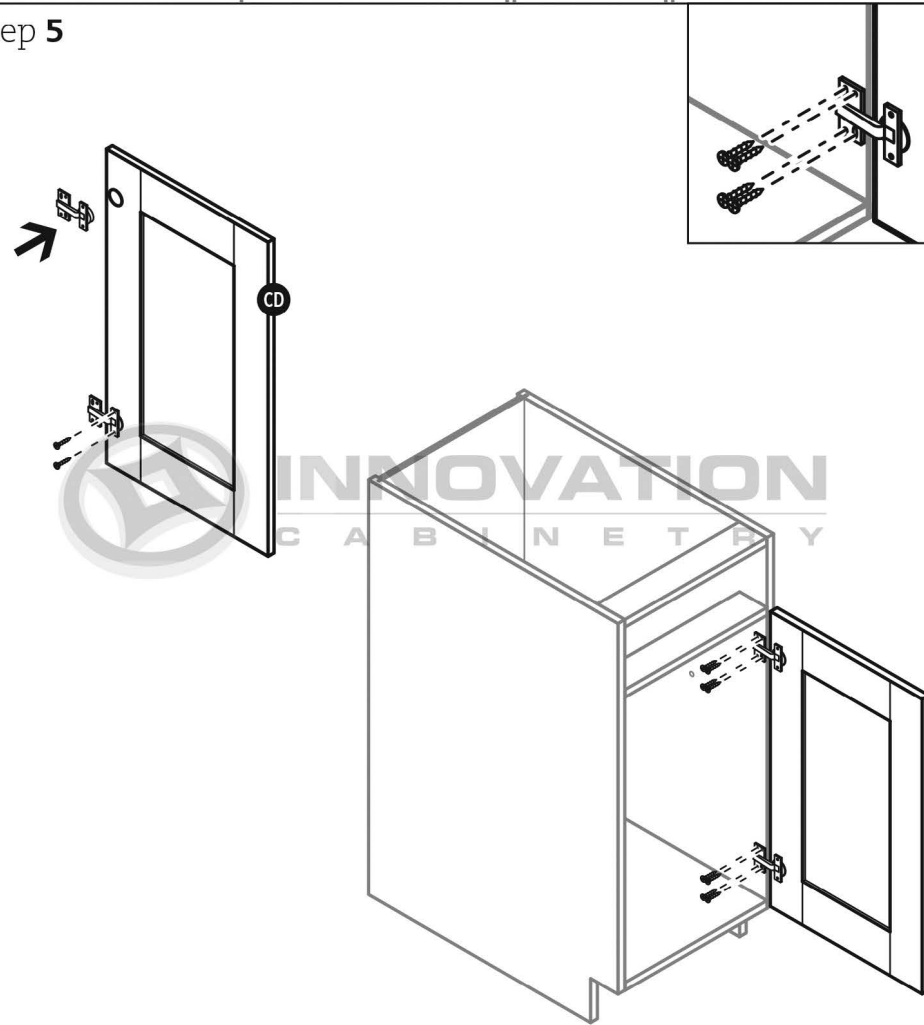
Step 3 + = finish nail



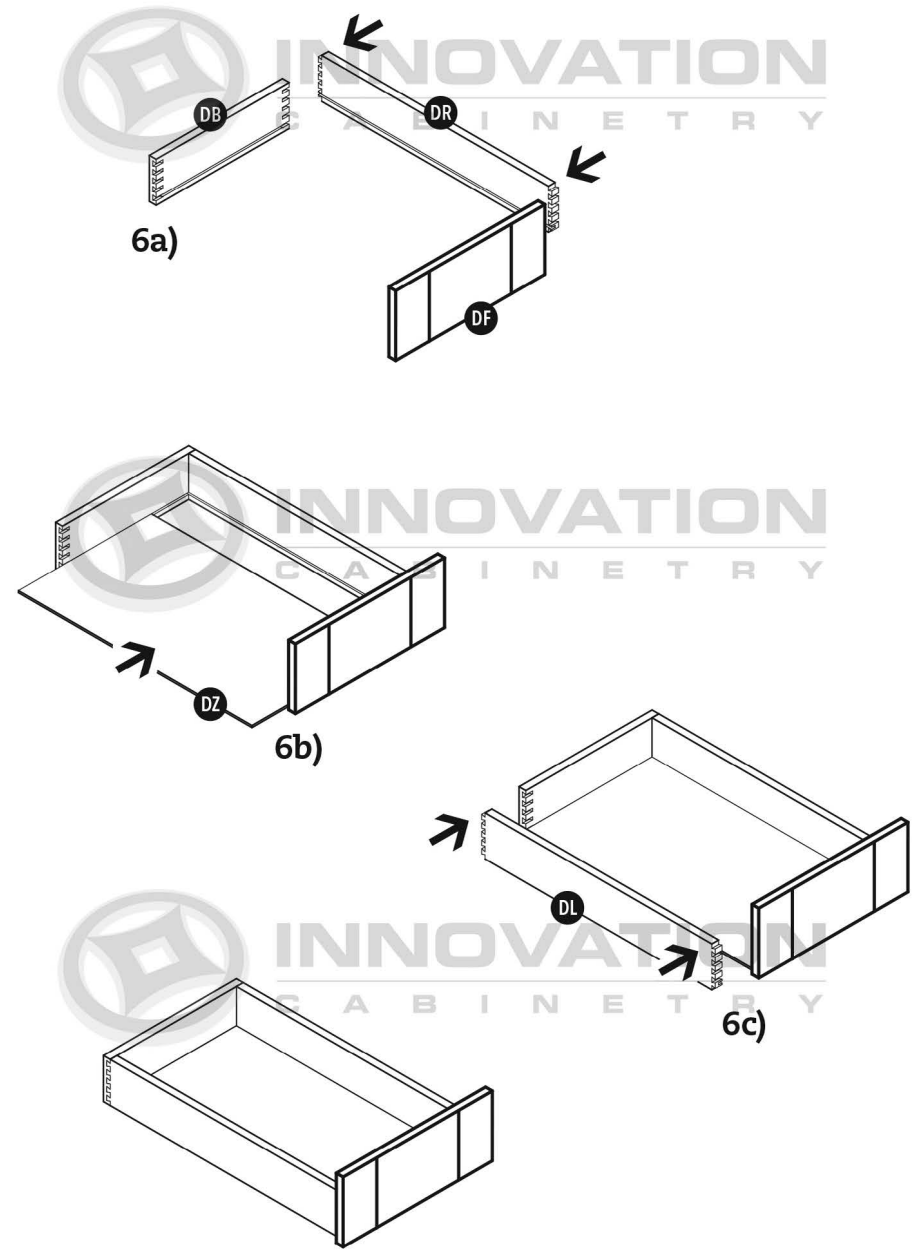
Step 4



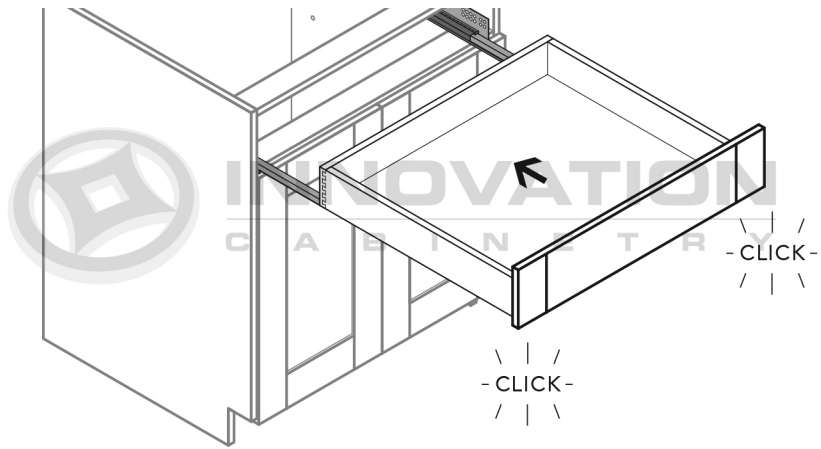
Step 5



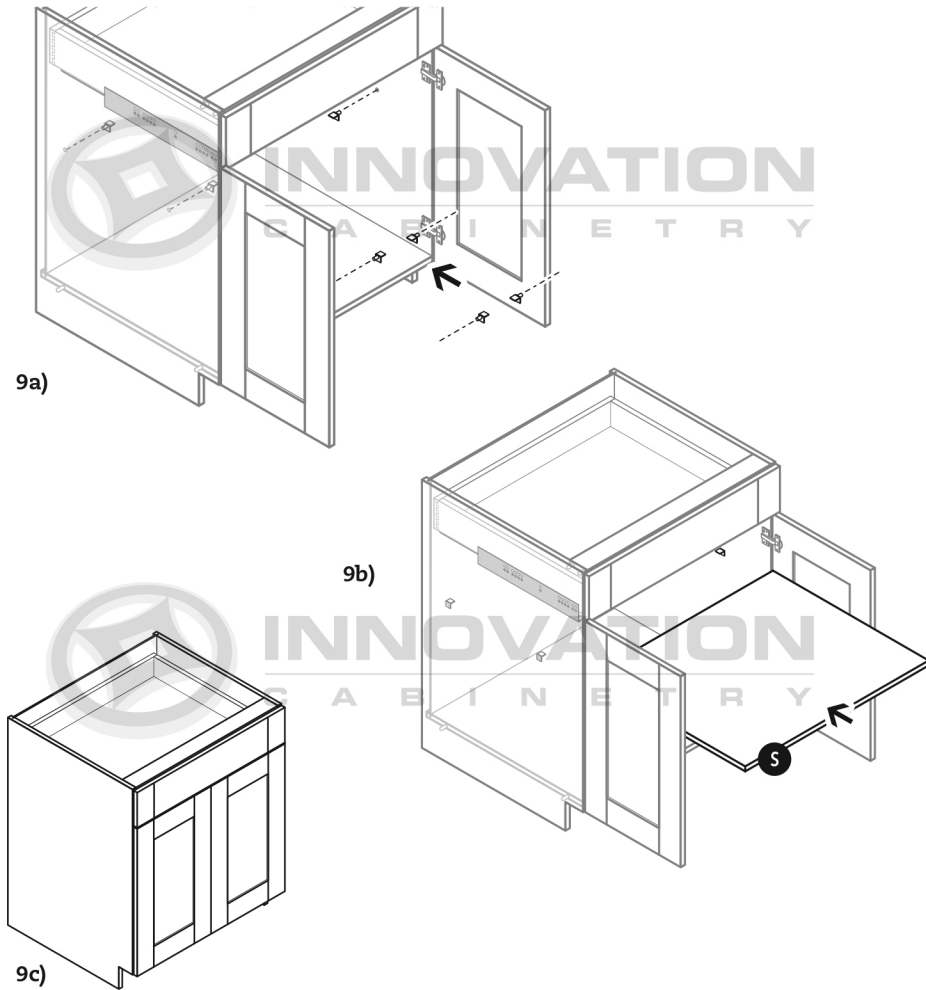
Step 6



Step 8



Step 9

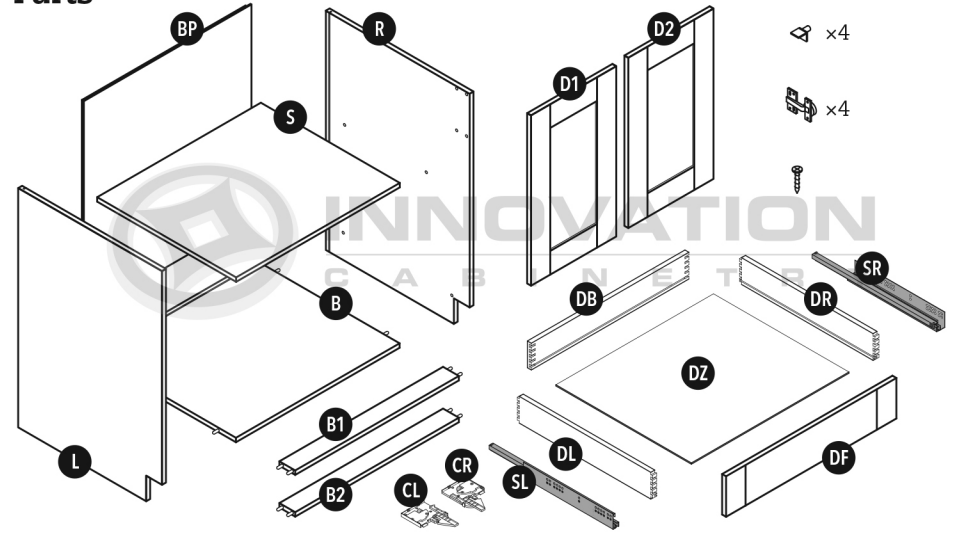


MODEL#: B24, B27, B30, B33, B36, B39, B42

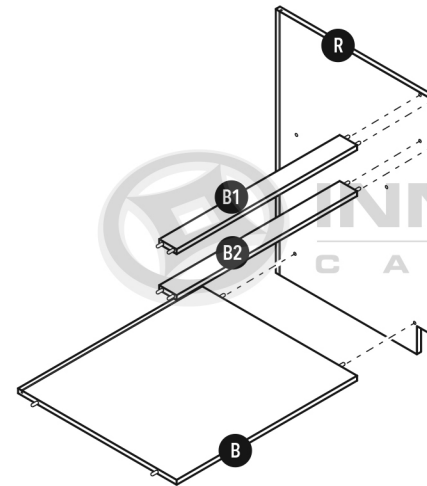
Base Cabinet

with Deluxe All Wood Box

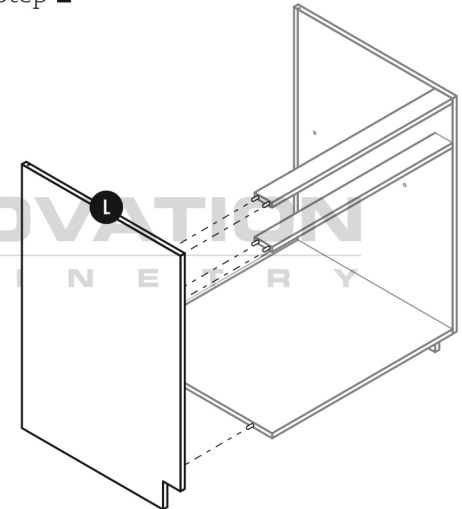
Parts



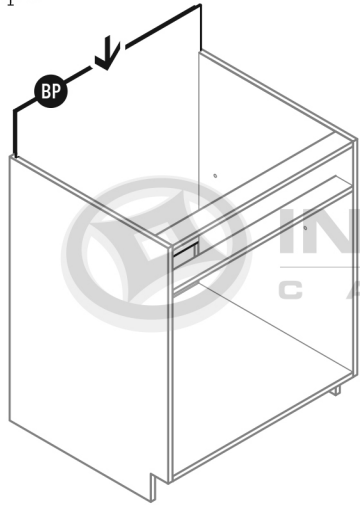
Step 1



Step 2

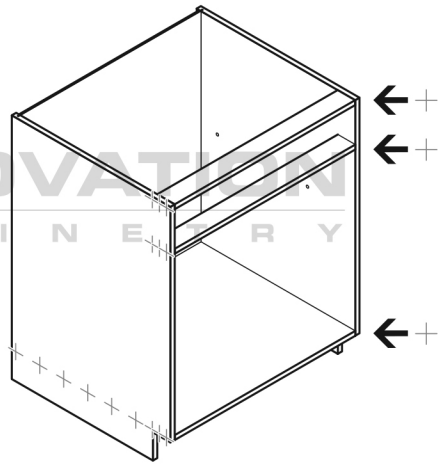


Step 3



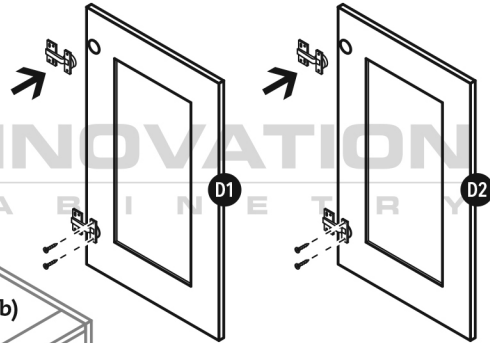
Step 4

+ = finish nail

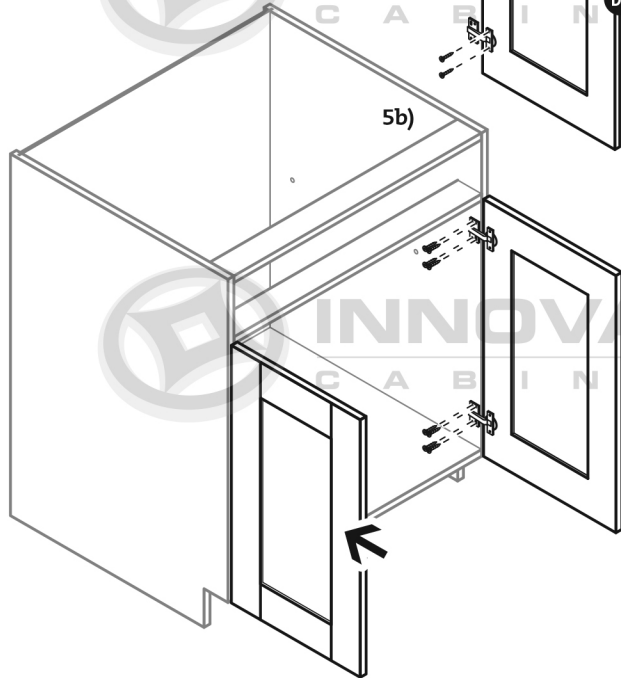


Step 5

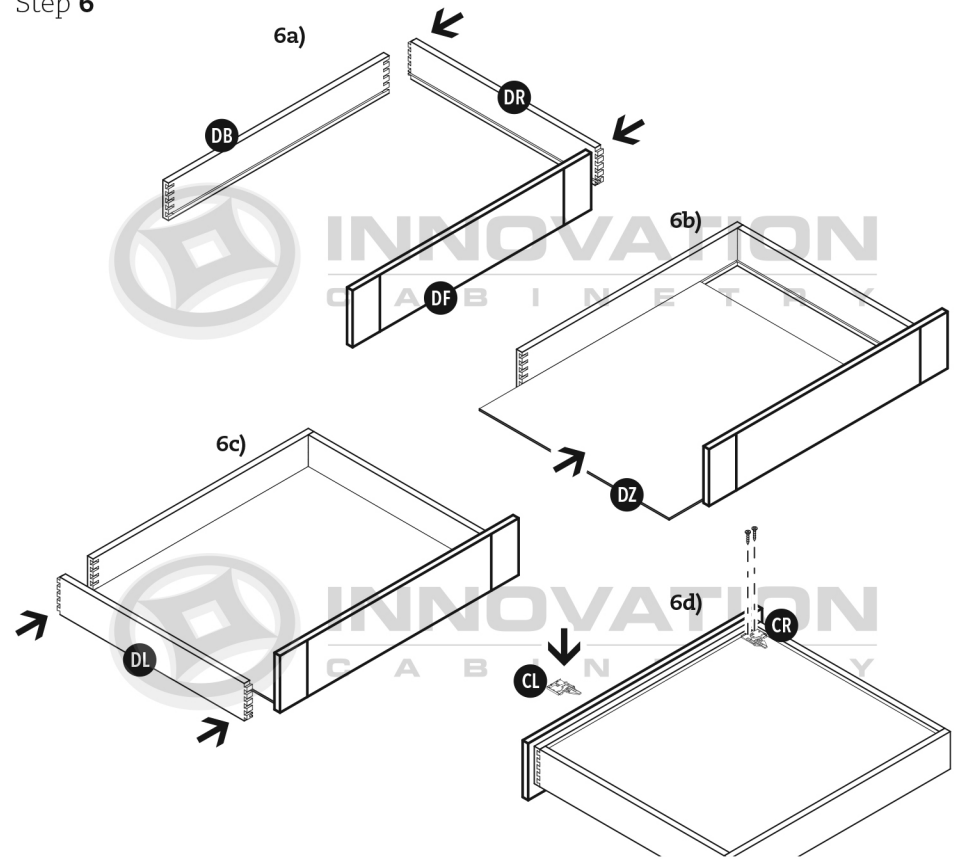
5a)



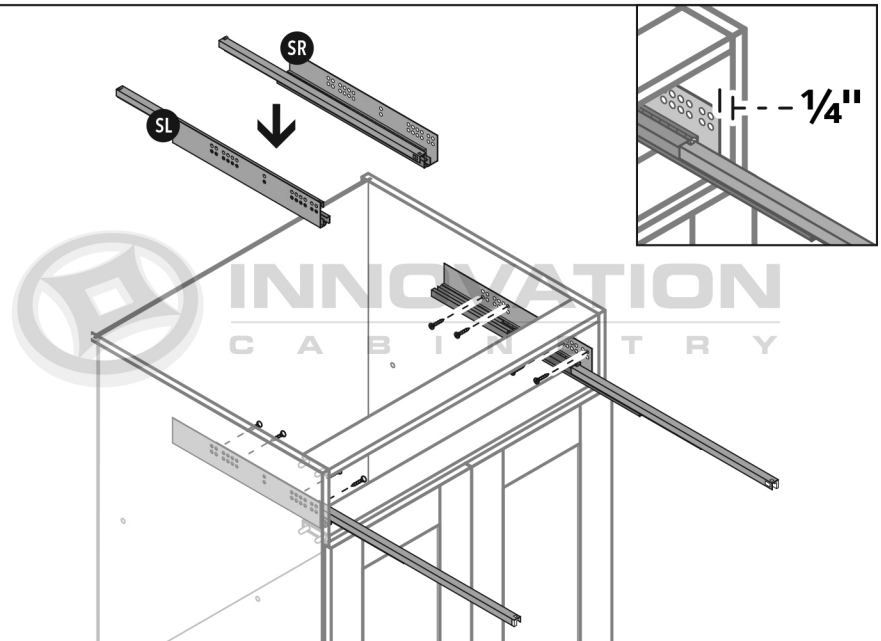
5b)



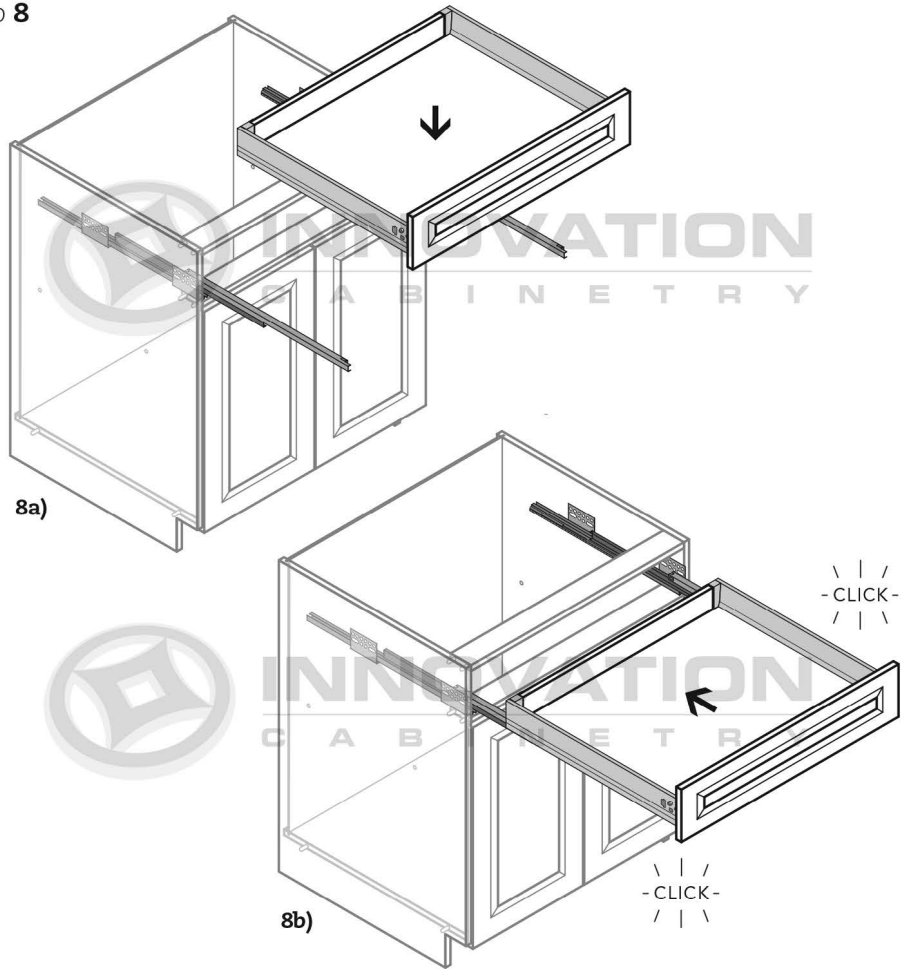
Step 6



Step 7



Step 8

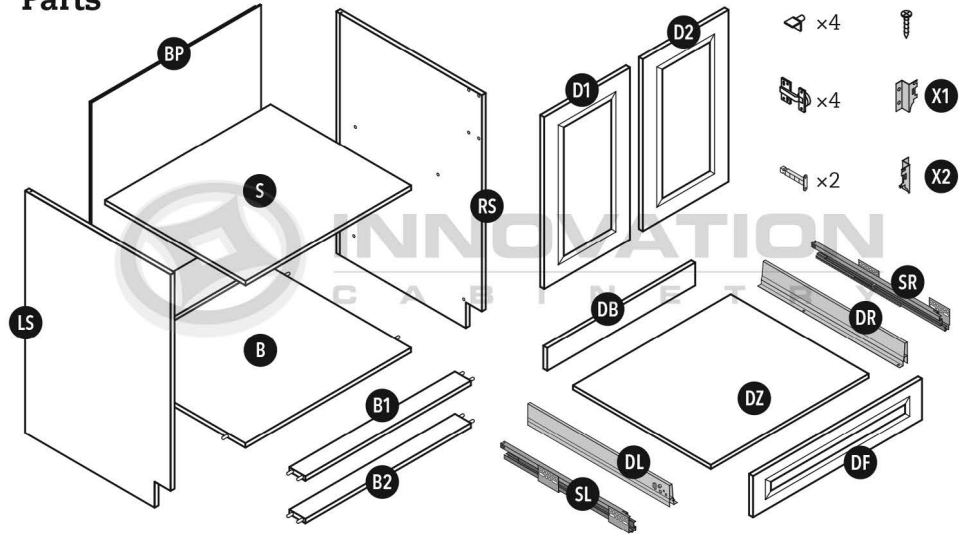


MODEL#: B24, B27, B30, B33, B36, B39, B42

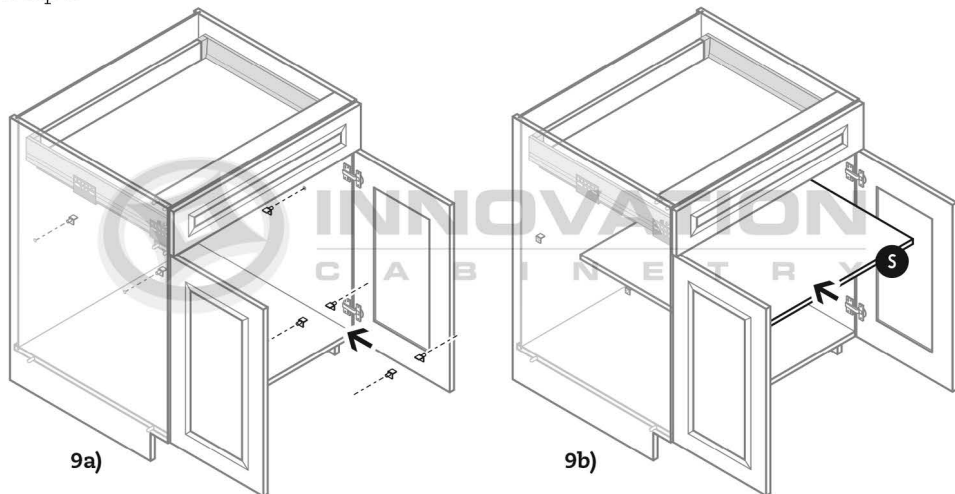
Base Cabinet

with Luxury Metal Box

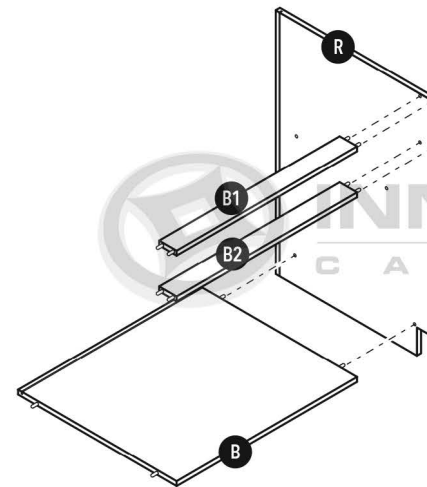
Parts



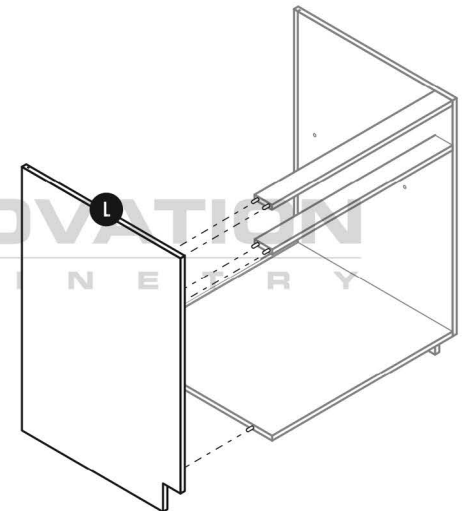
Step 9



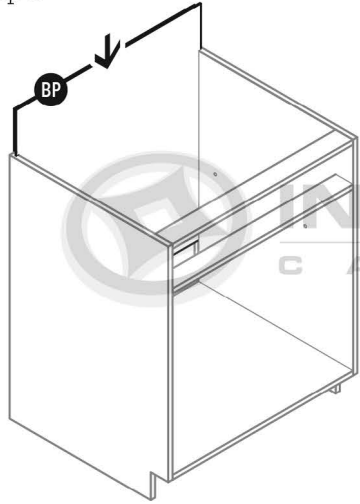
Step 1



Step 2

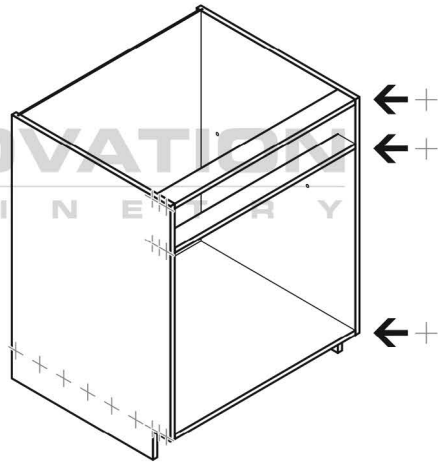


Step 3



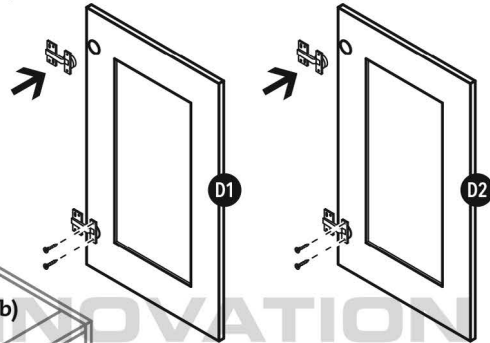
Step 4

+ = finish nail

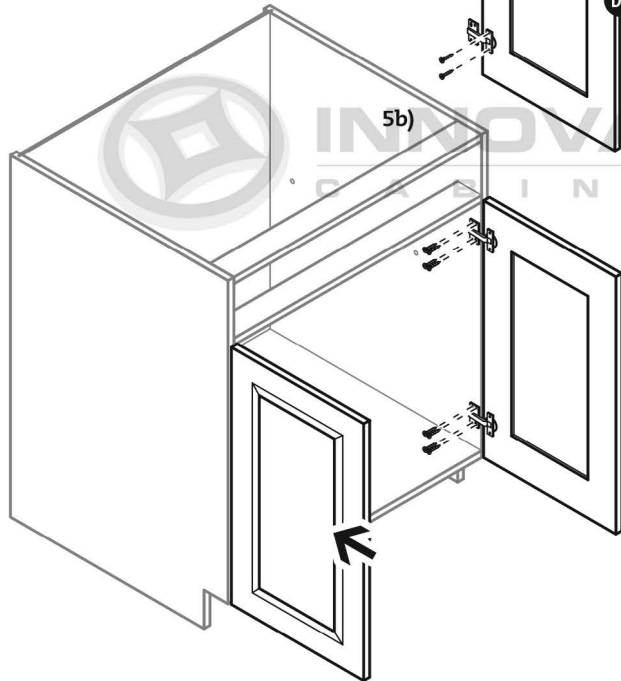


Step 5

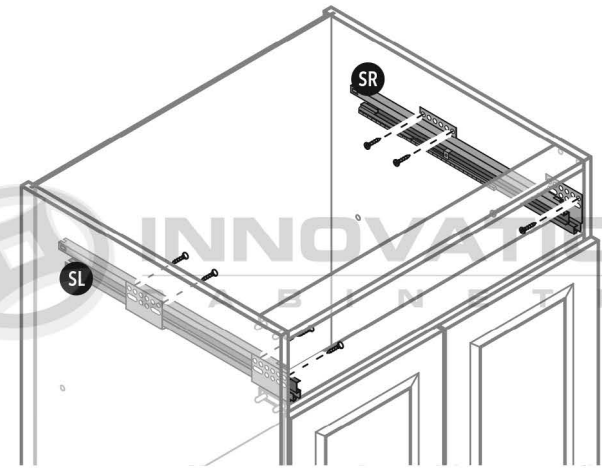
5a)



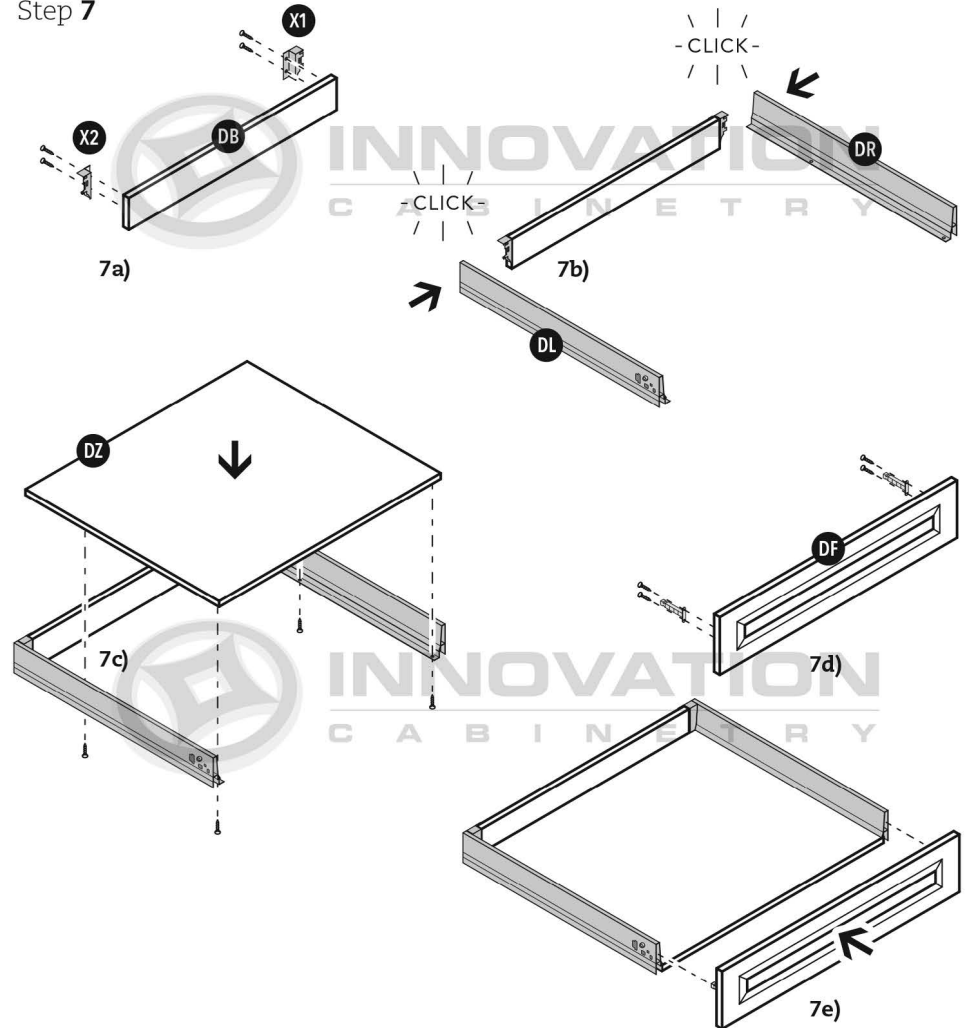
5b)



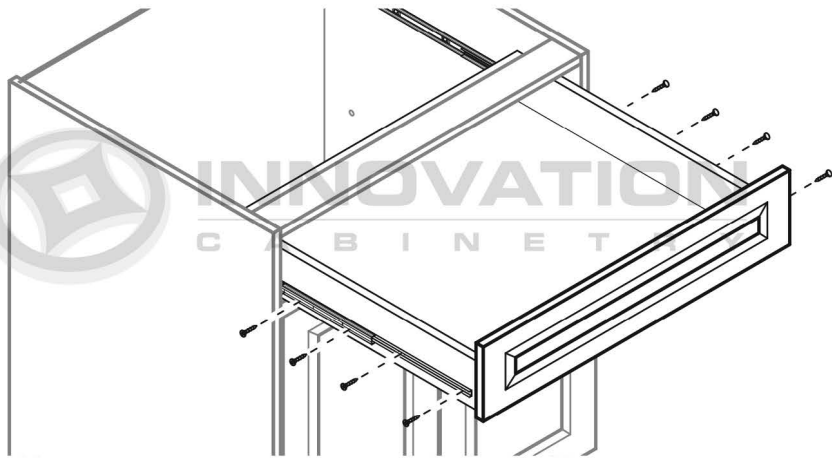
Step 6



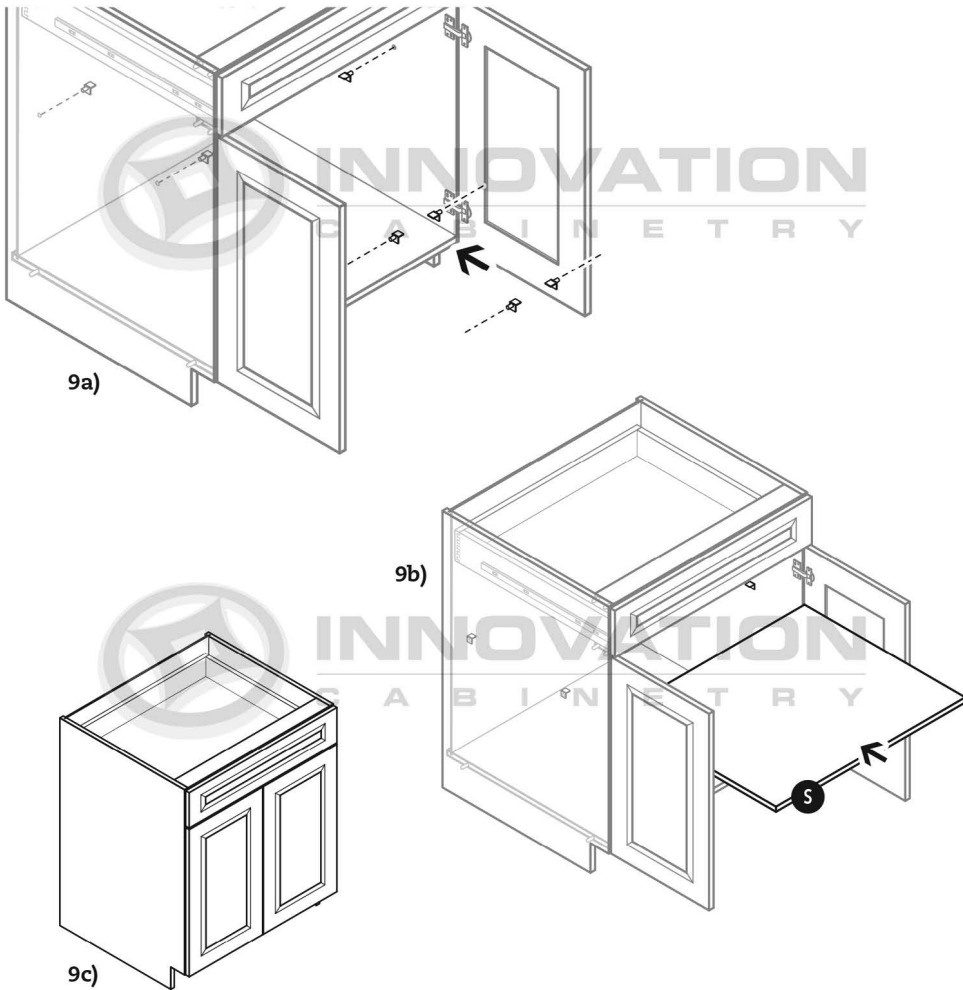
Step 7



Step 8



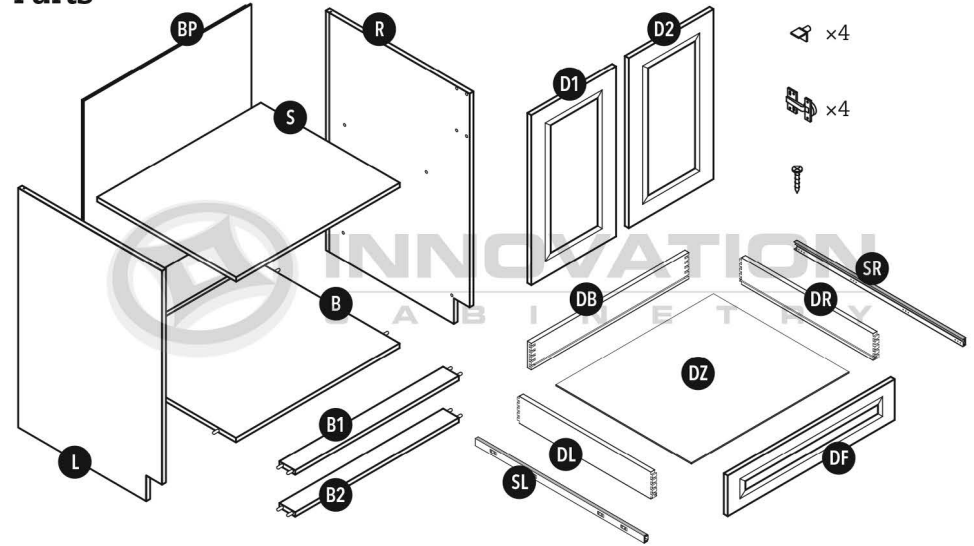
Step 9



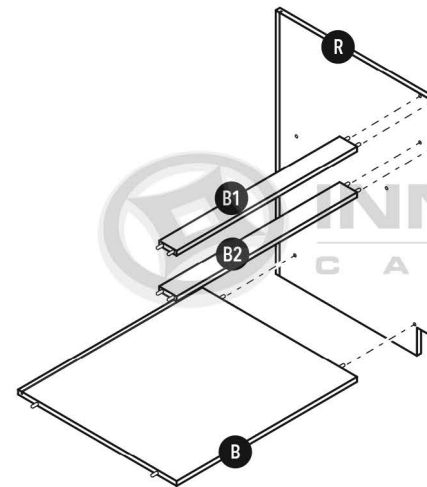
MODEL#: B24, B27, B30, B33, B36, B39, B42

Base Cabinet

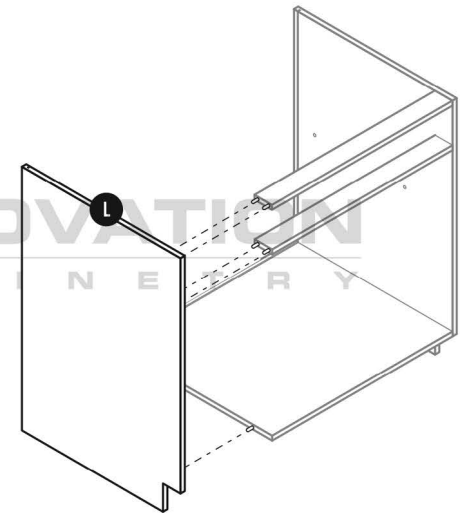
Parts



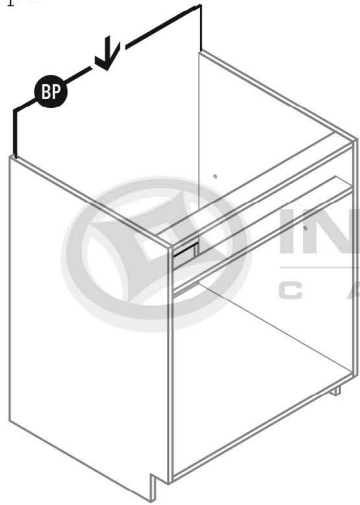
Step 1



Step 2

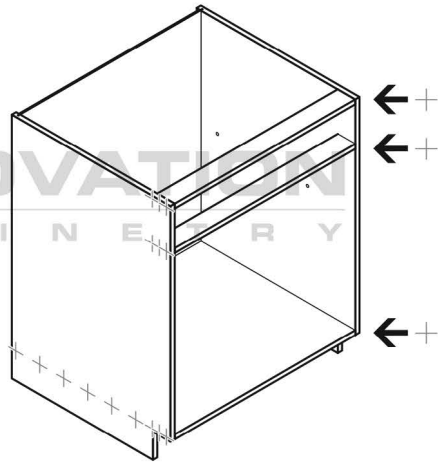


Step 3

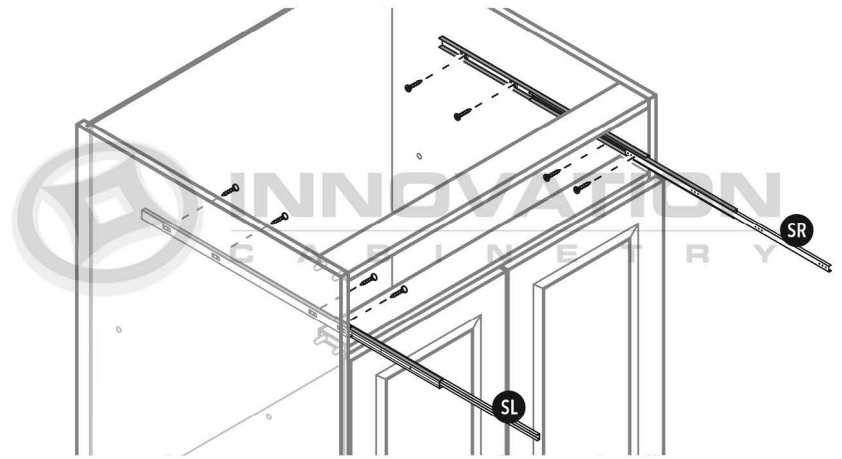


Step 4

+ = finish nail

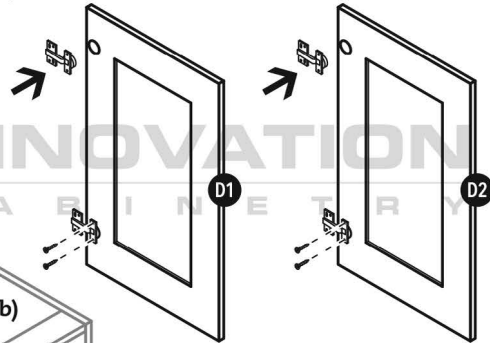


Step 6

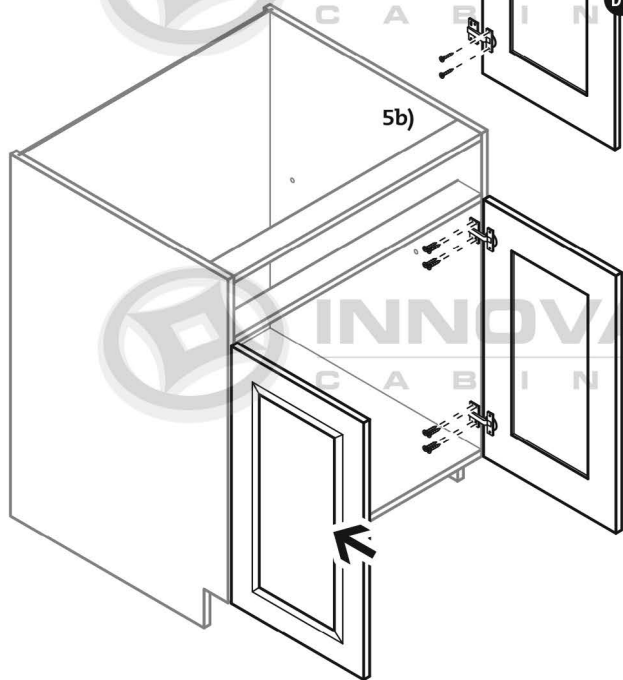


Step 5

5a)

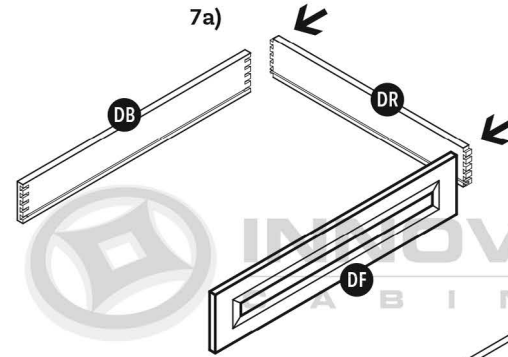


5b)

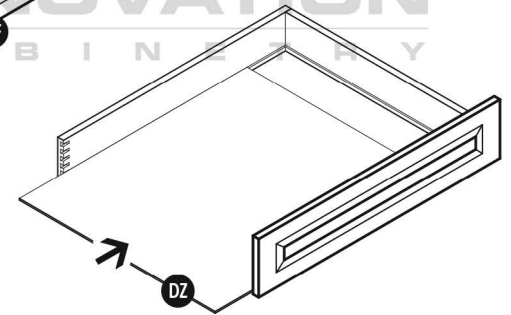


Step 7

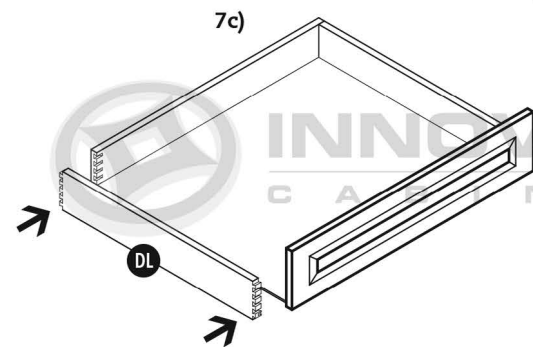
7a)



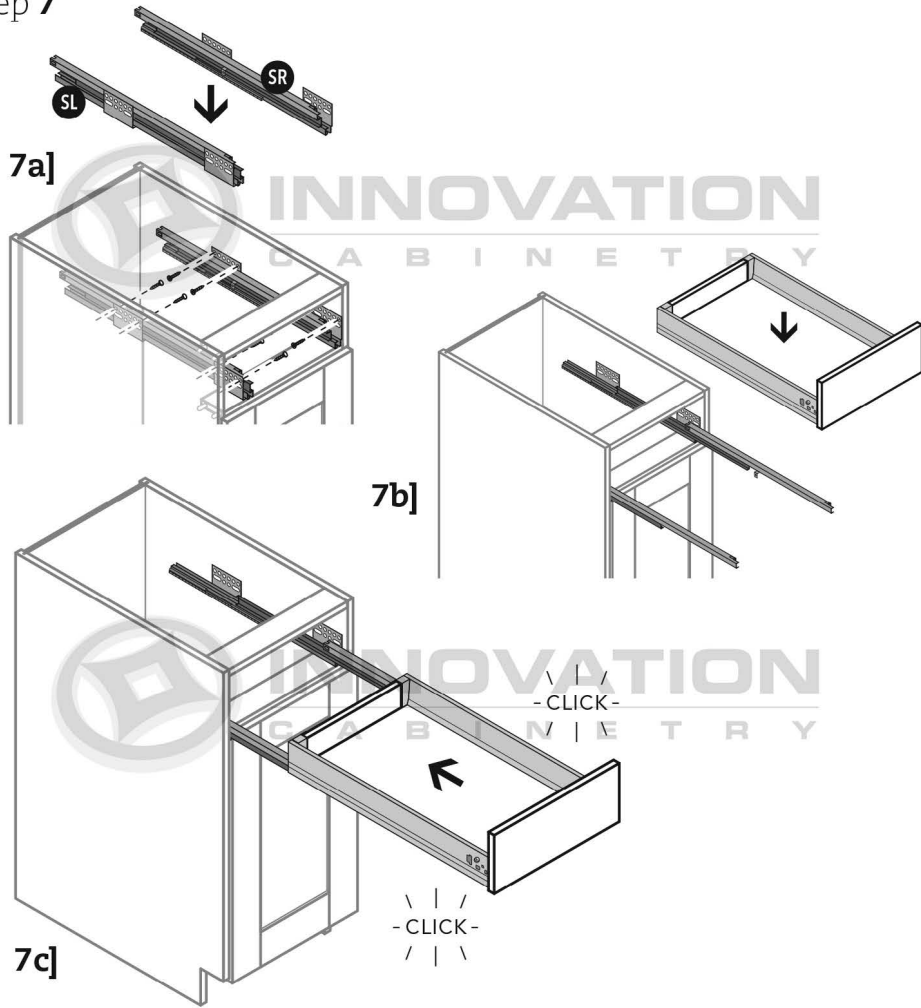
7b)



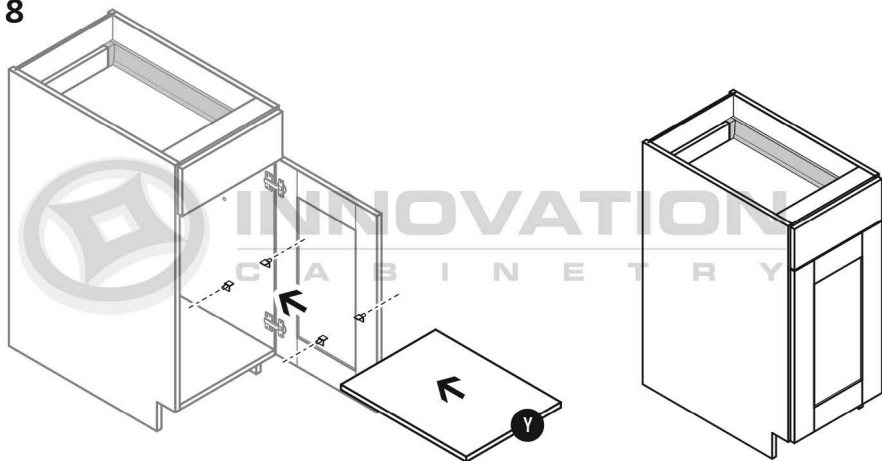
7c)



Step 7



Step 8

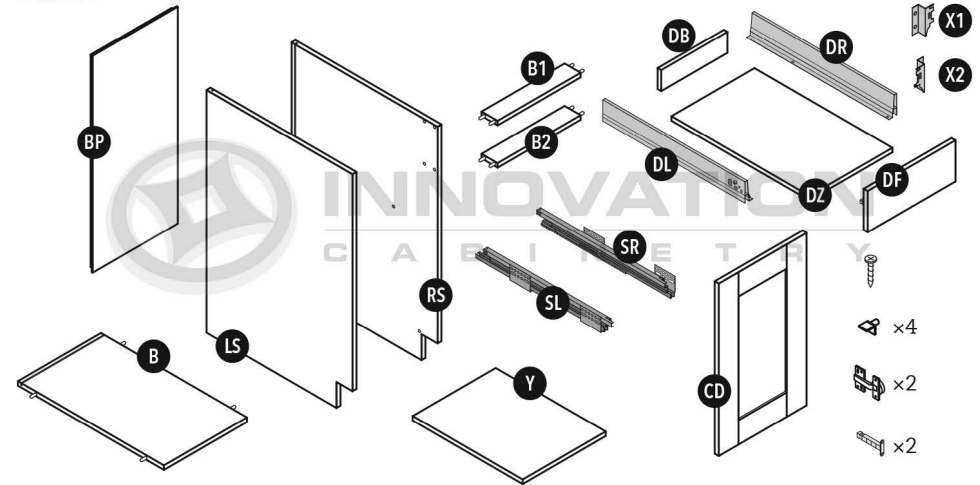


MODEL#: B09, B12, B15, B18, B21

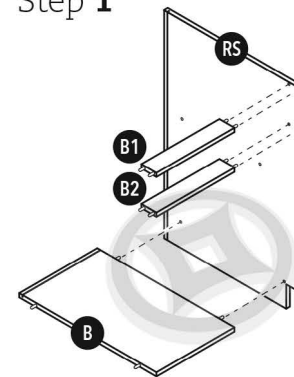
Base Cabinet

with Luxury Metal Box

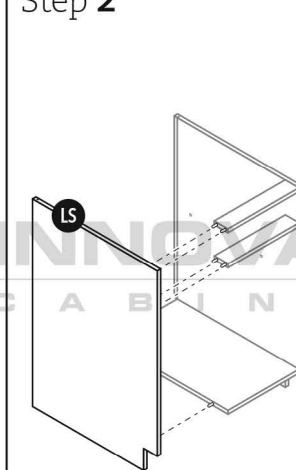
Parts



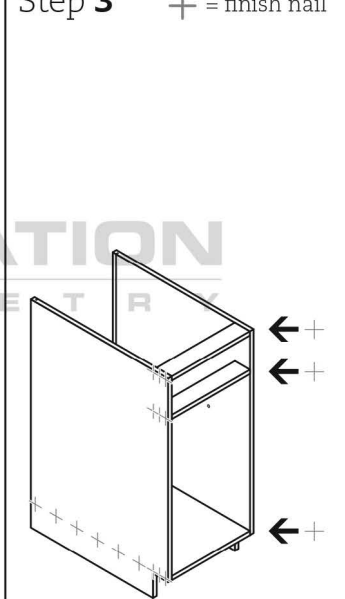
Step 1



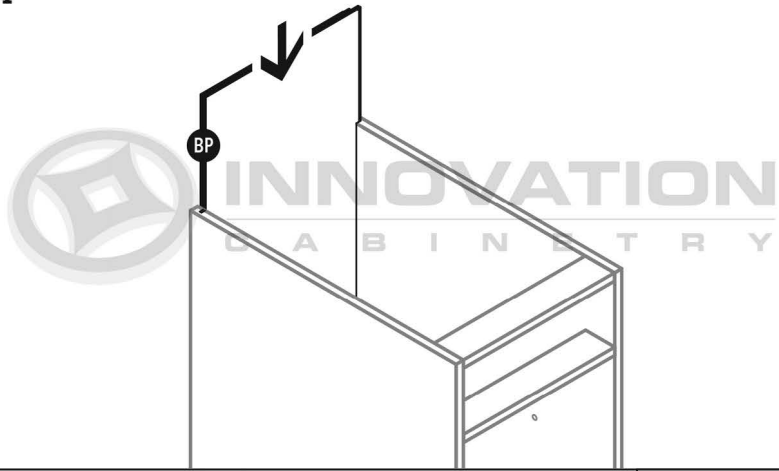
Step 2



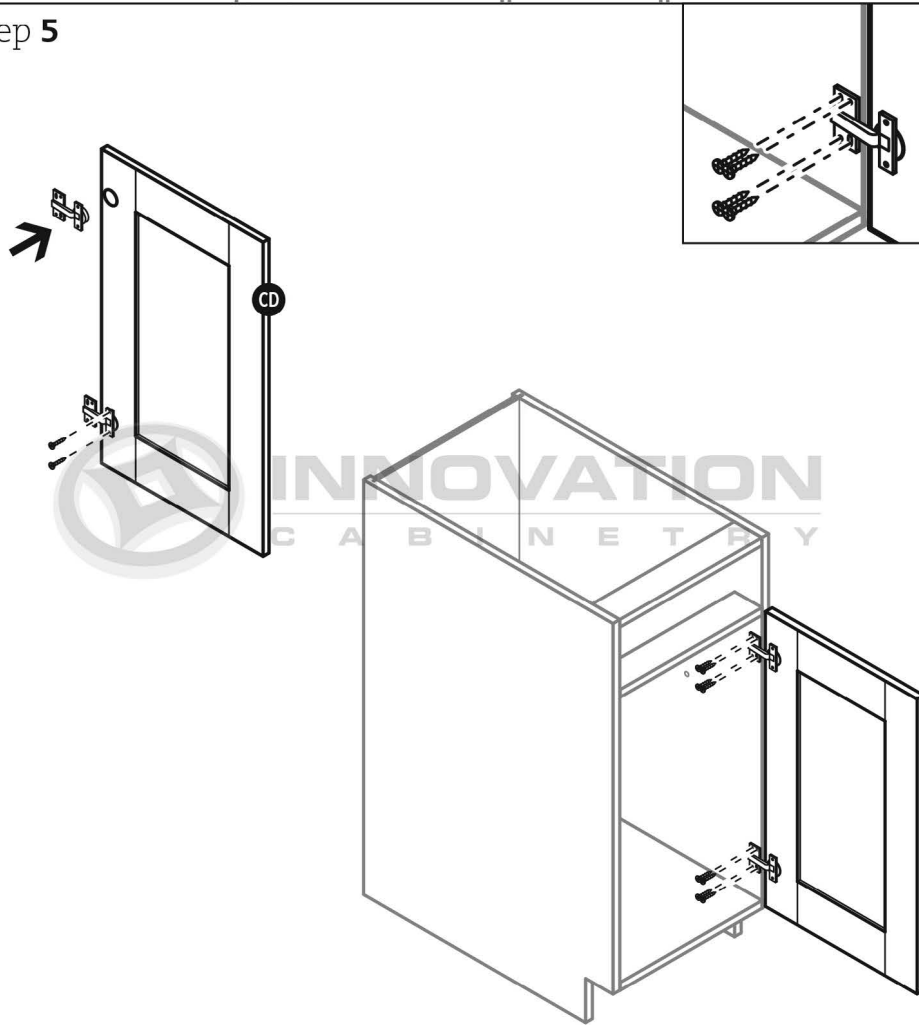
Step 3



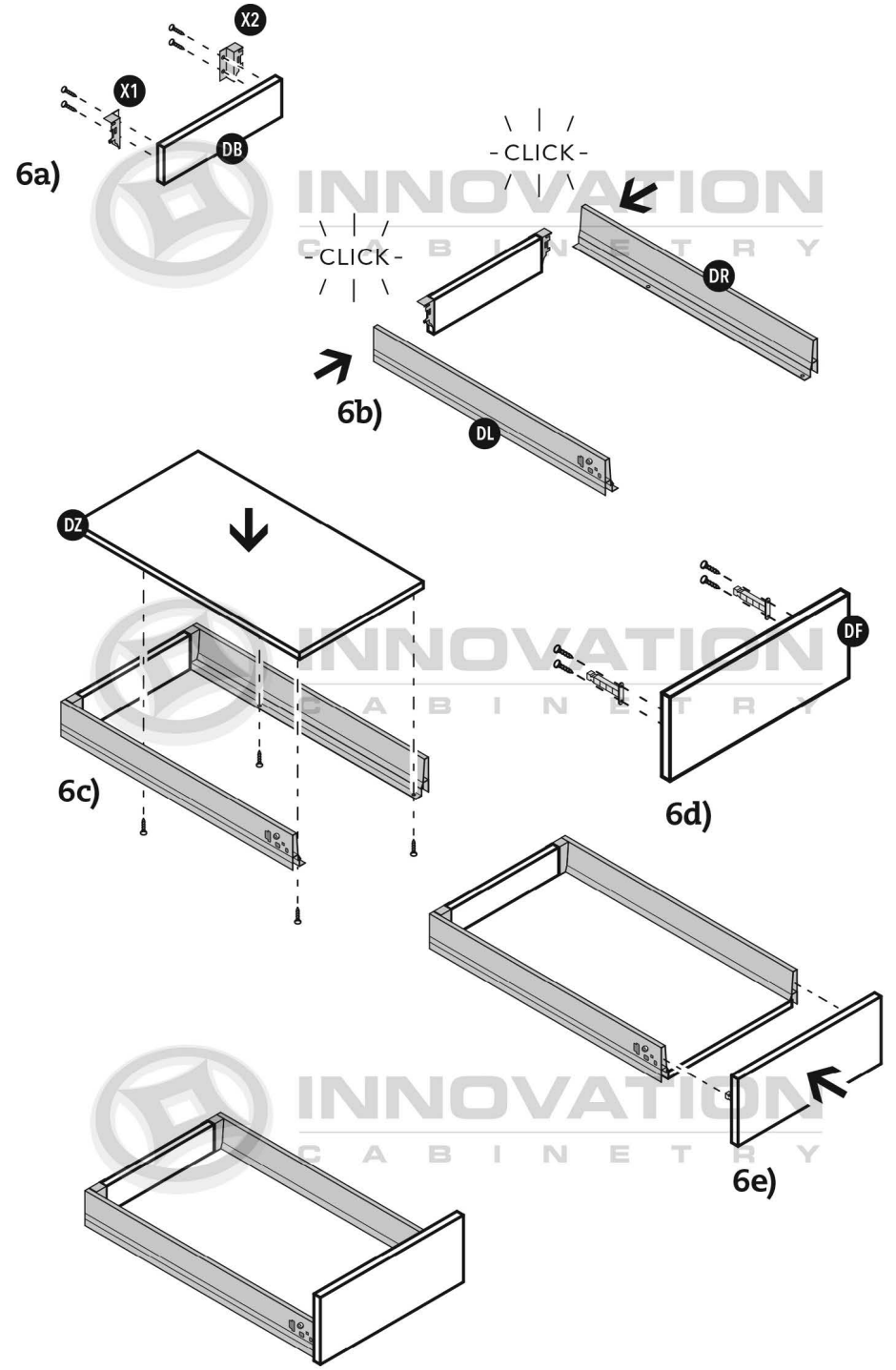
Step 4



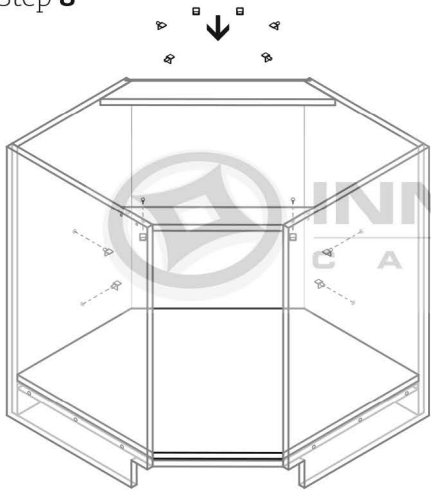
Step 5



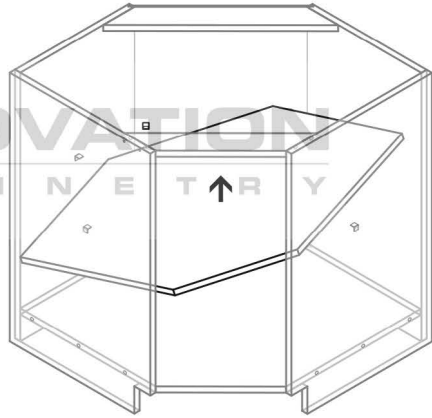
Step 6



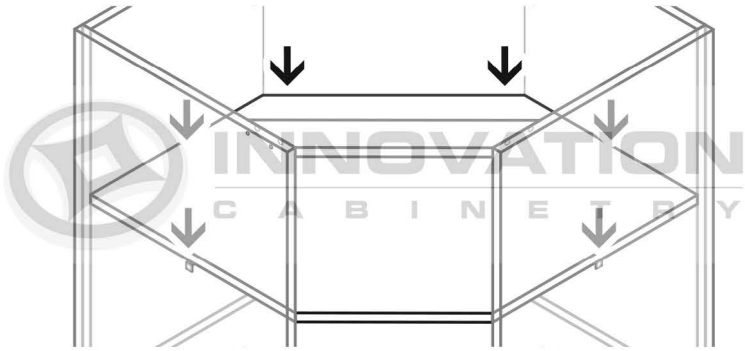
Step 8



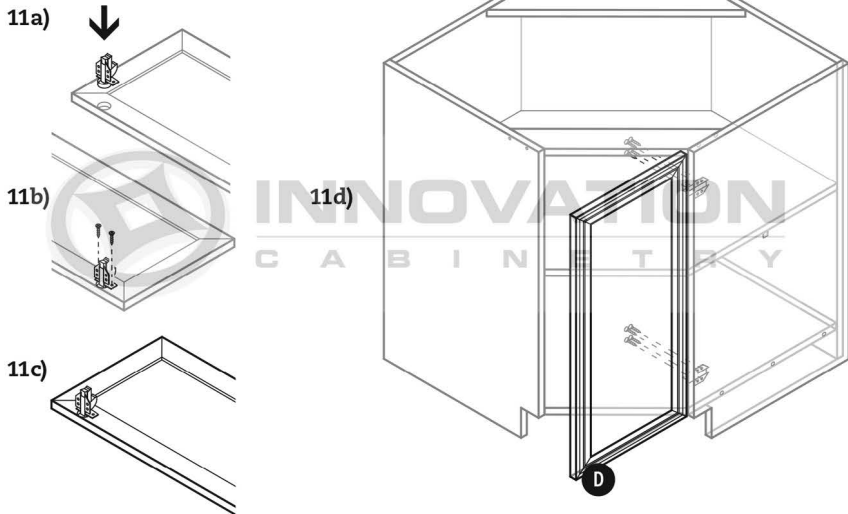
Step 9



Step 10



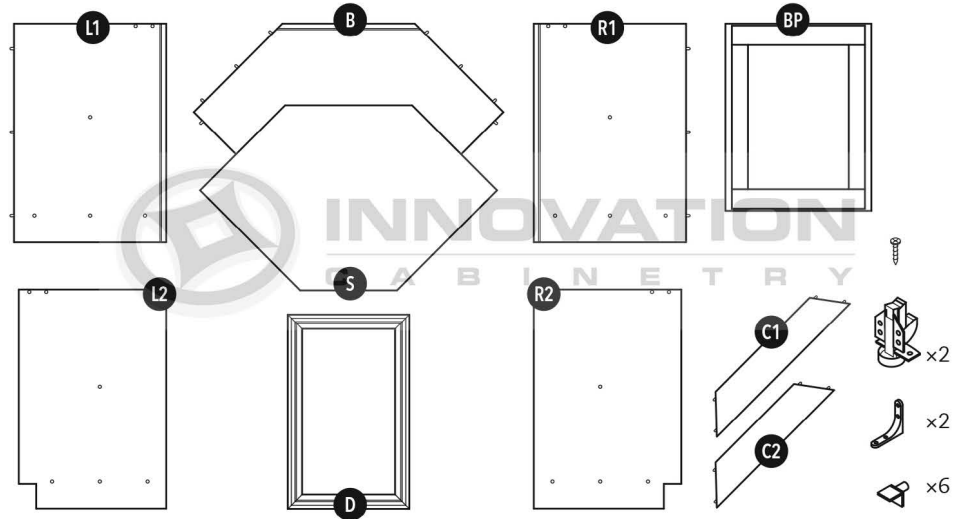
Step 11



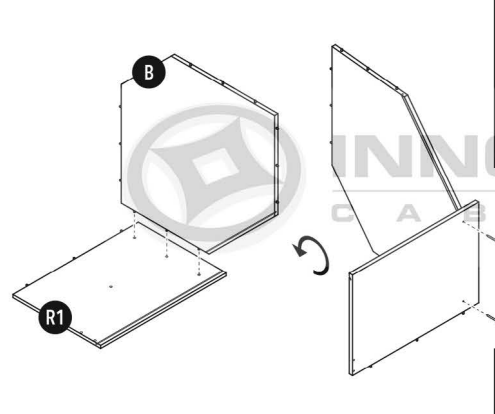
MODEL#: BDC36

Base Diagonal Corner Cabinet

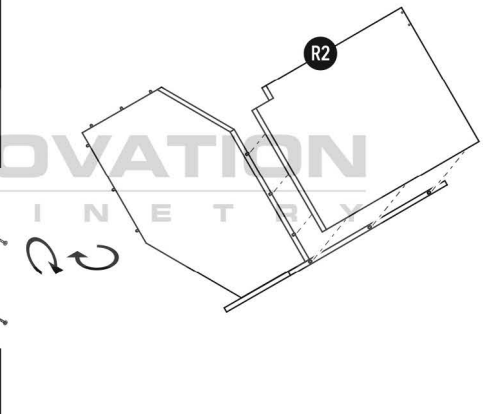
Parts



Step 1

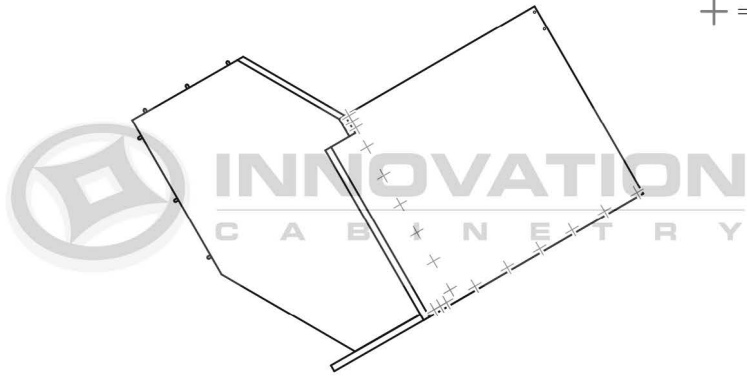


Step 2a

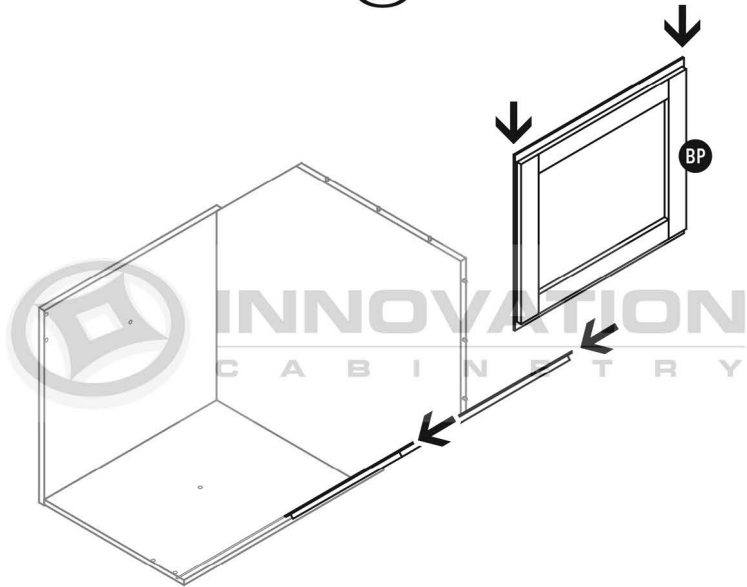


Step 2b

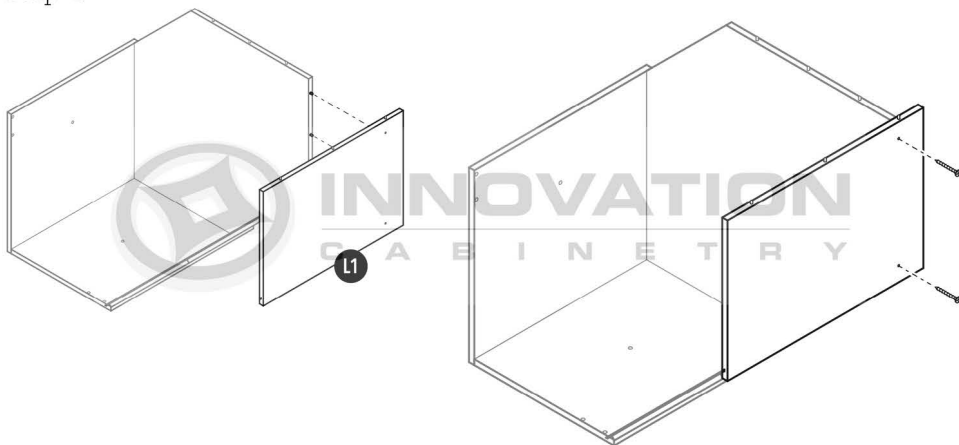
+ = finish nail



Step 3

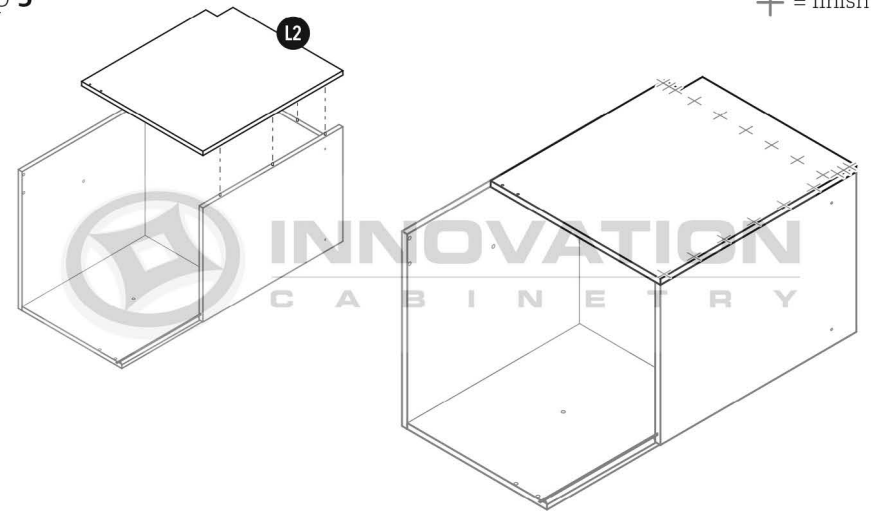


Step 4

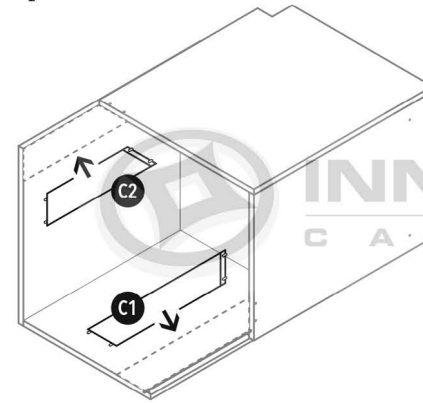


Step 5

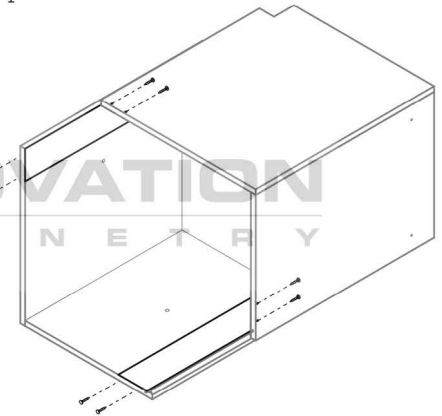
+ = finish nail



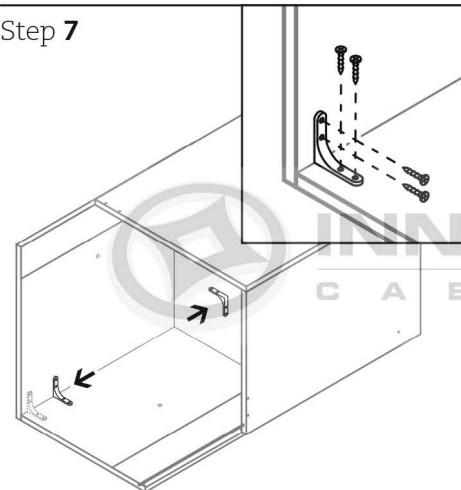
Step 6a



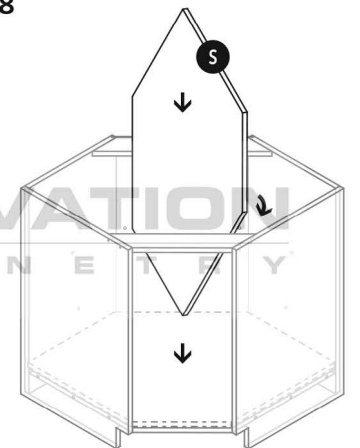
Step 6b



Step 7

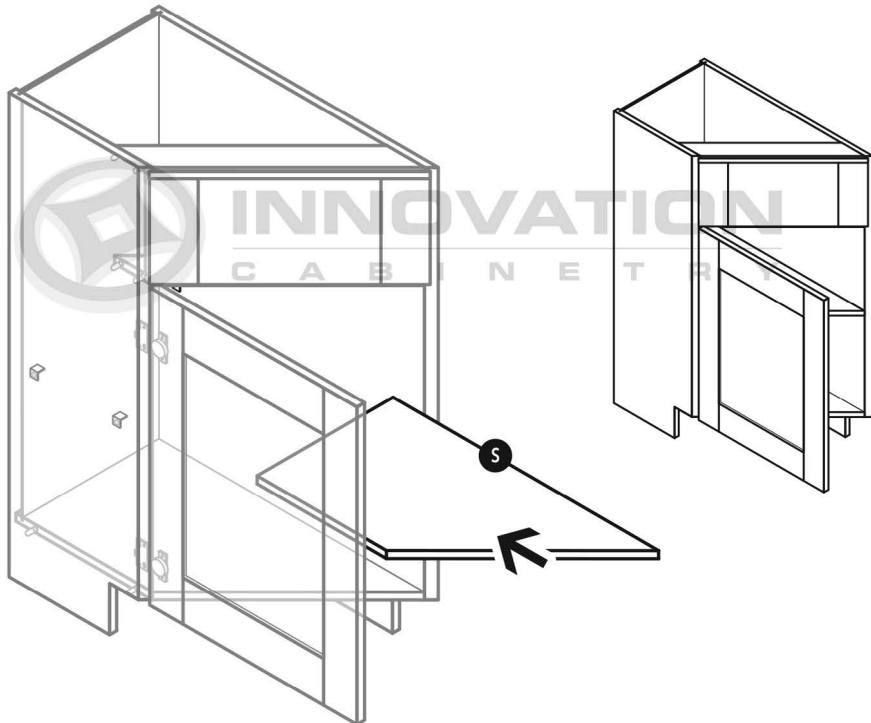
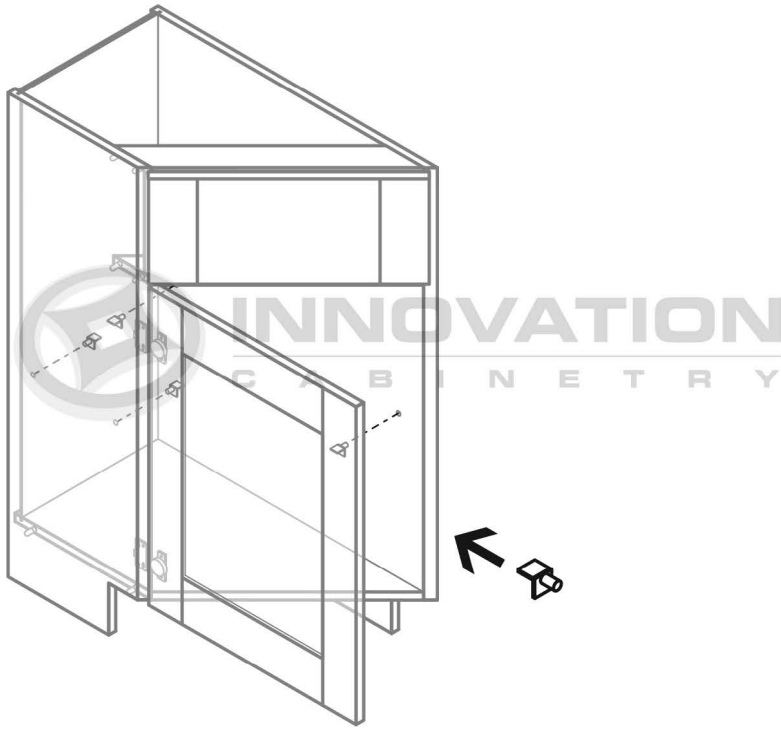


Step 8

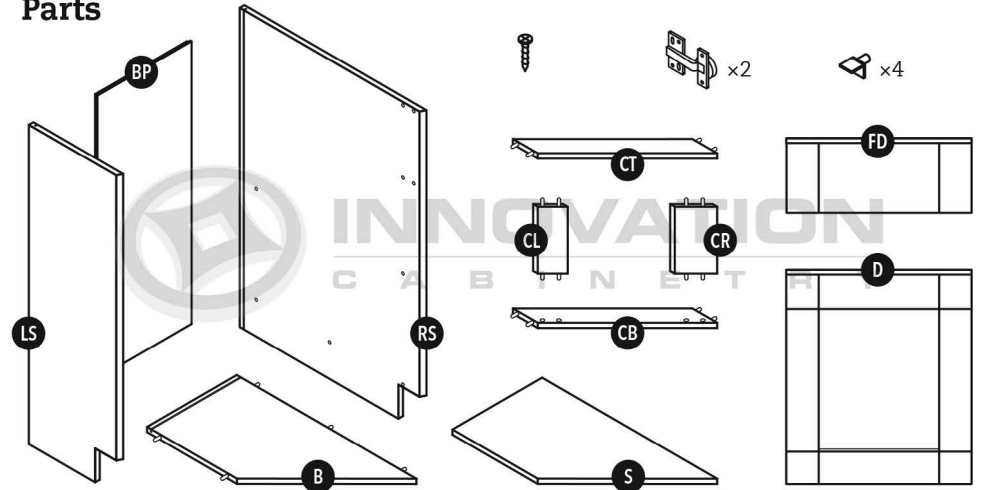


MODEL#: BEA12L, BEA12R

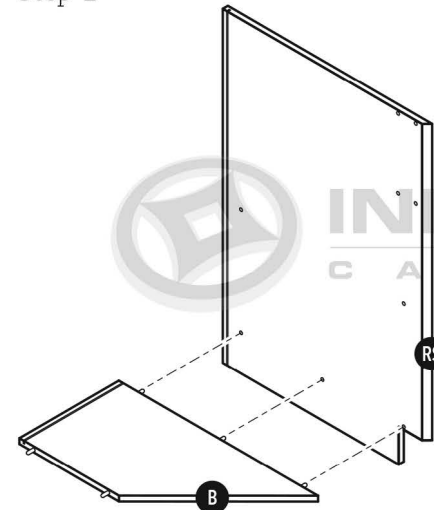
Base End Angle Cabinet



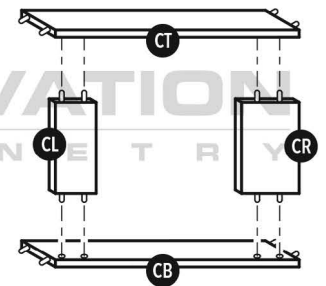
Parts



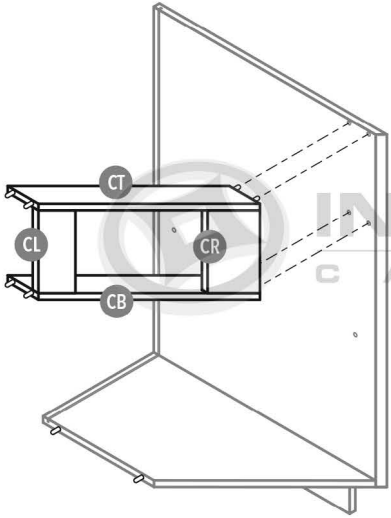
Step 1



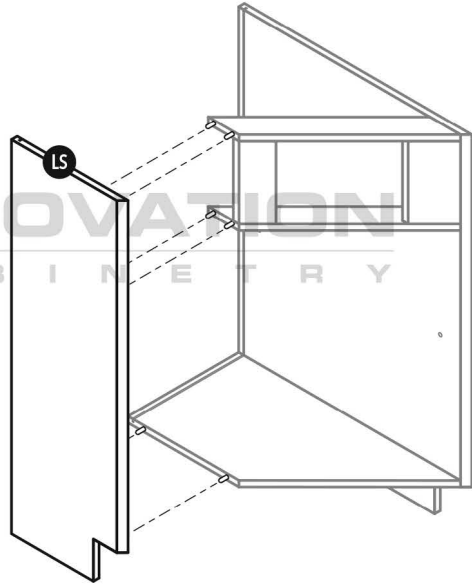
Step 2



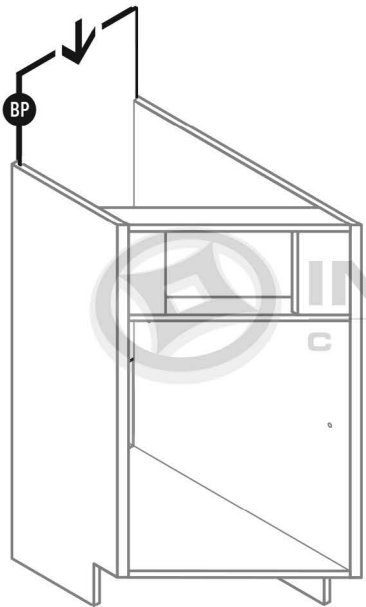
Step 3



Step 4

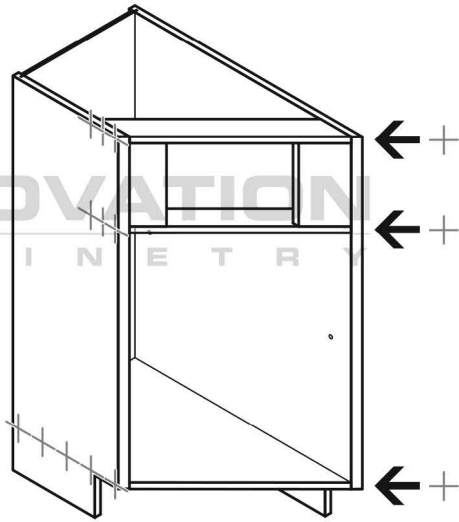


Step 5

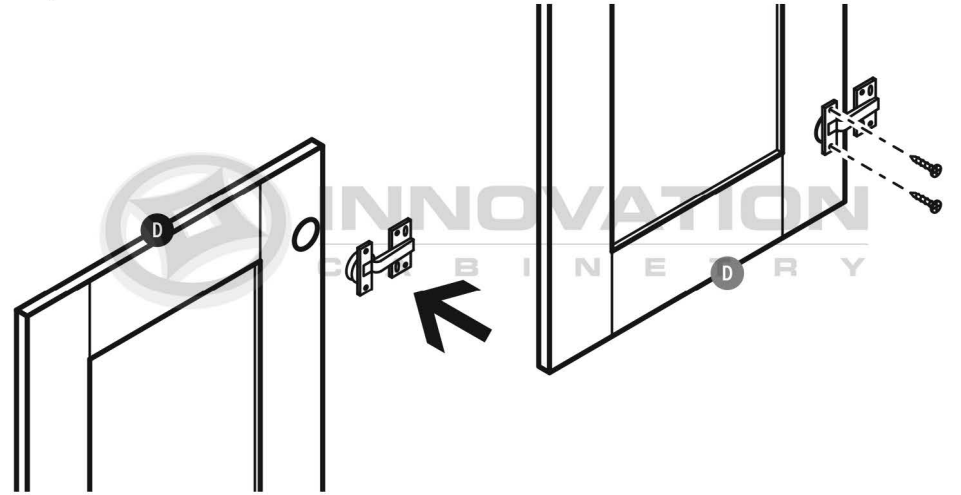


Step 6

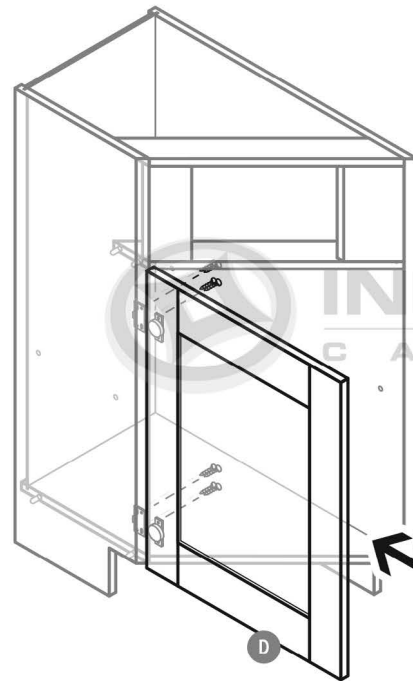
+ = finish nail



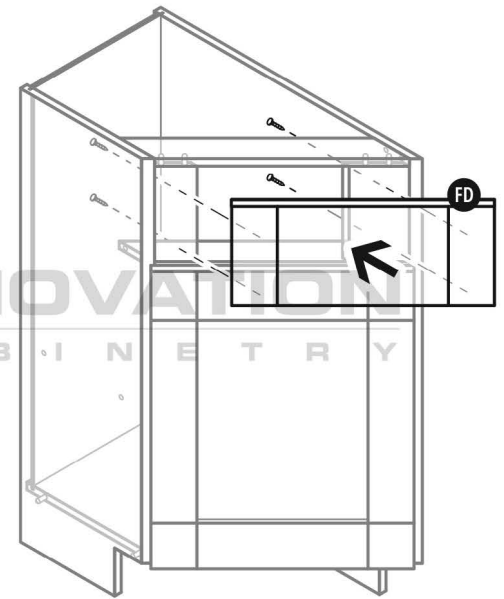
Step 7



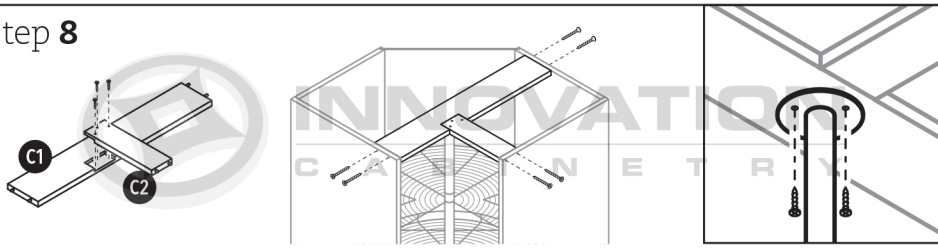
Step 8



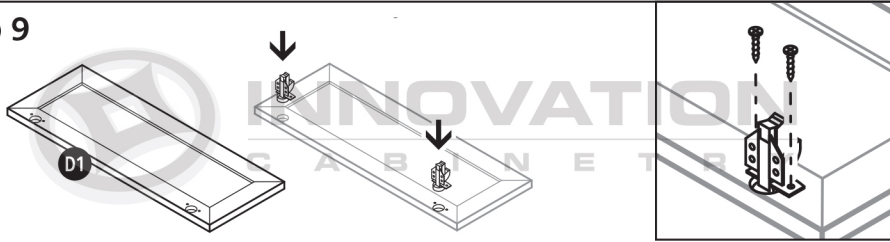
Step 9



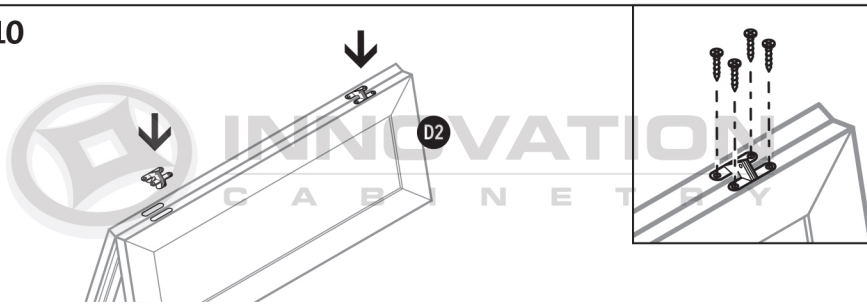
Step 8



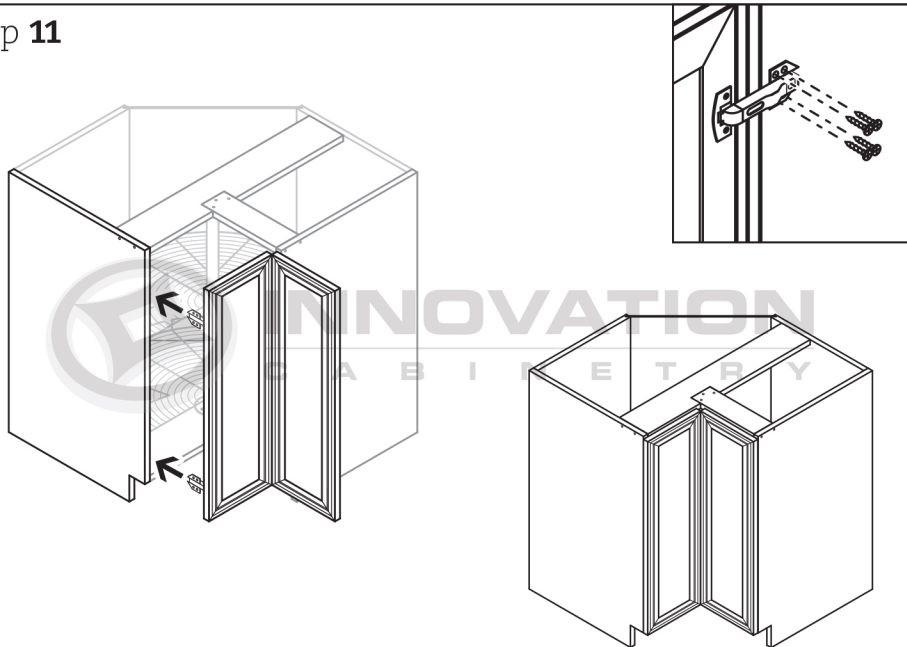
Step 9



Step 10



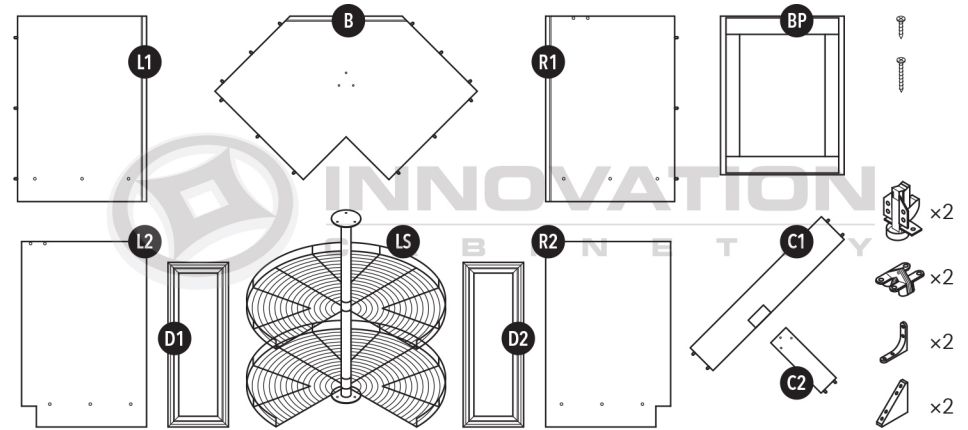
Step 11



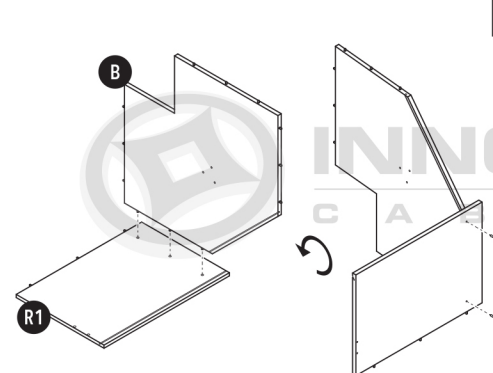
MODEL#: BLS33-36

Base Lazy Susan Cabinet Assembly

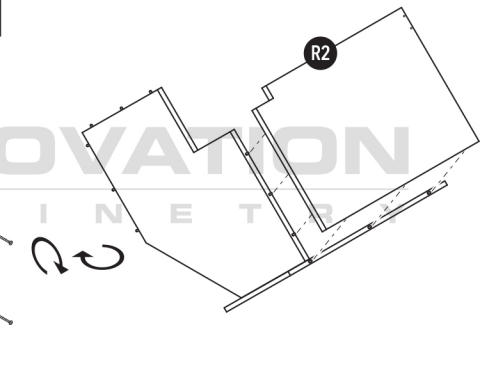
Parts



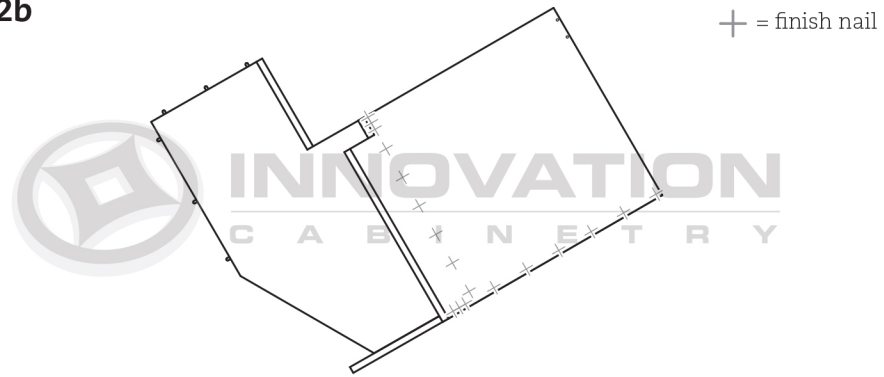
Step 1



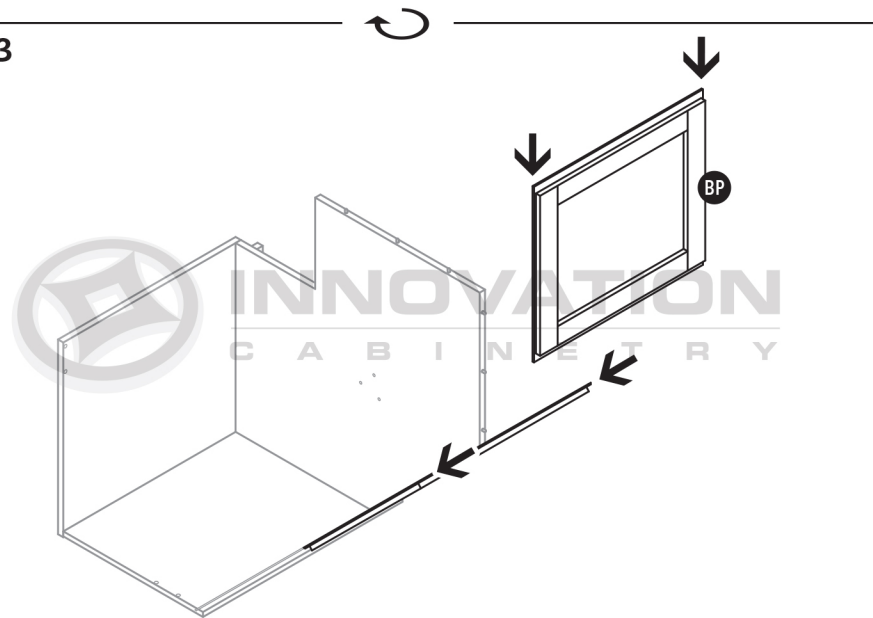
Step 2a



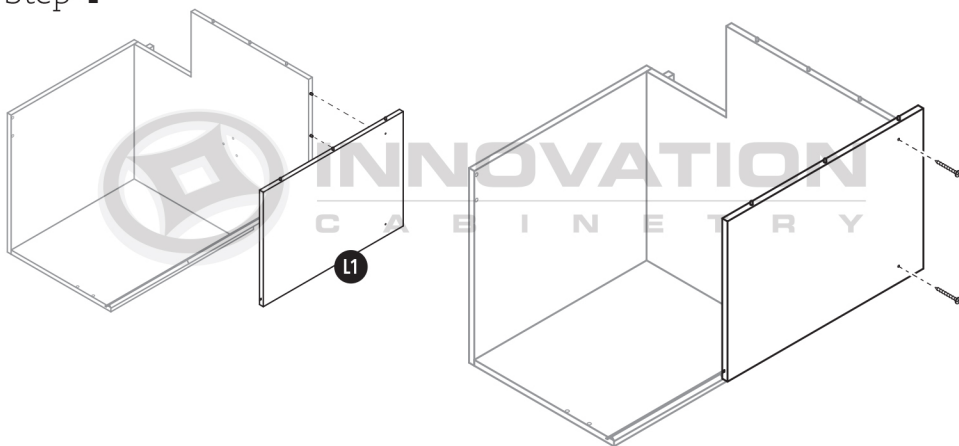
Step 2b



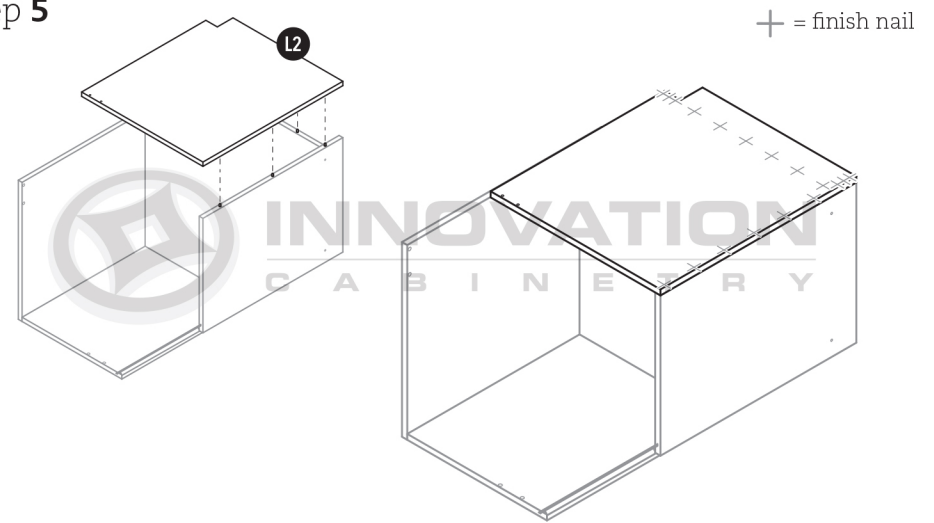
Step 3



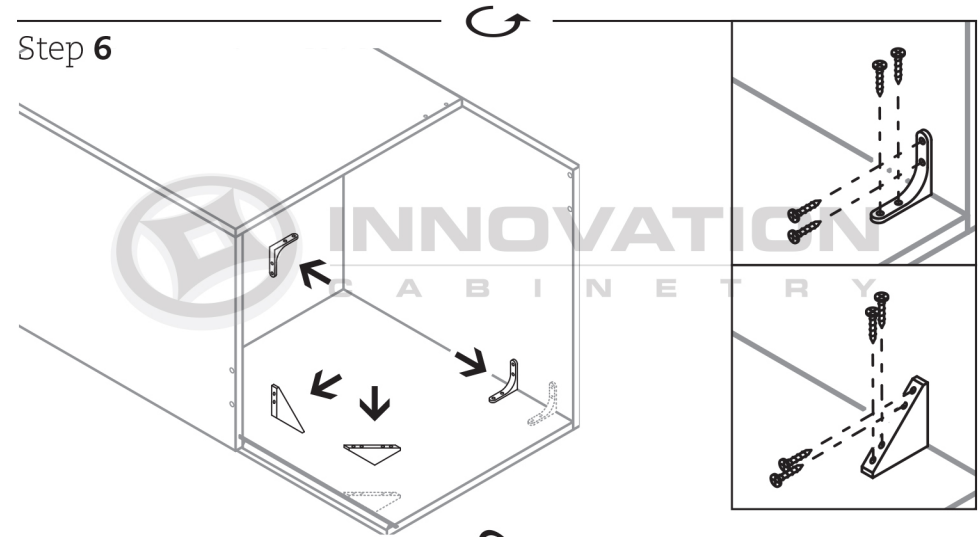
Step 4



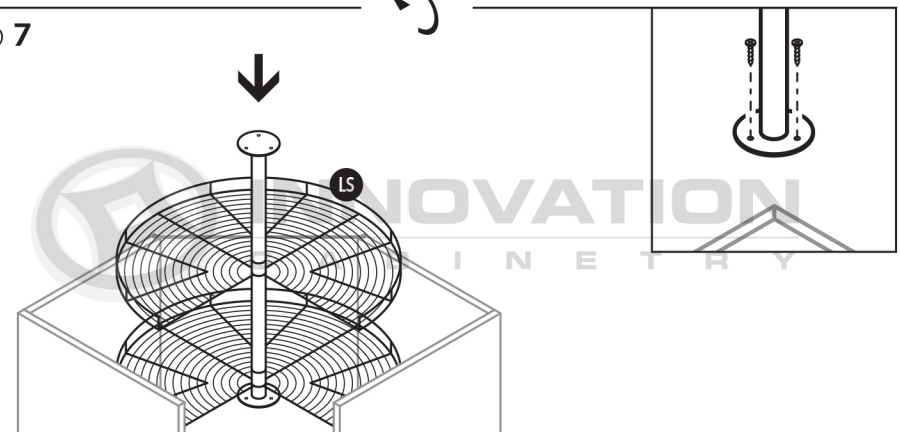
Step 5



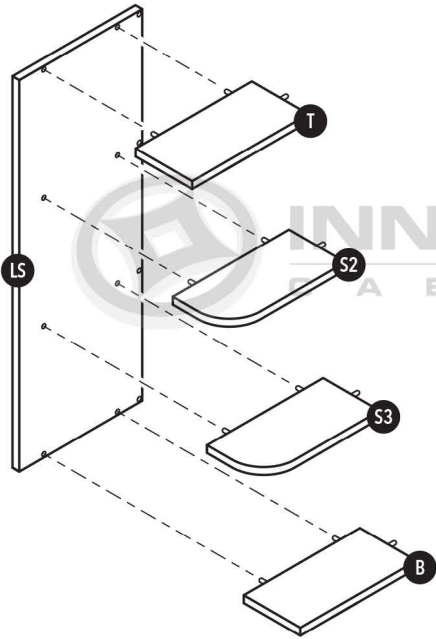
Step 6



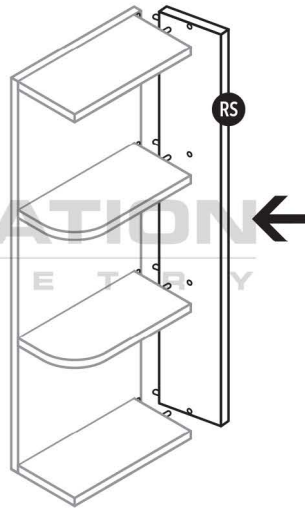
Step 7



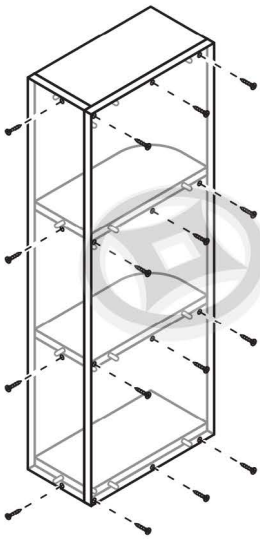
Step 2



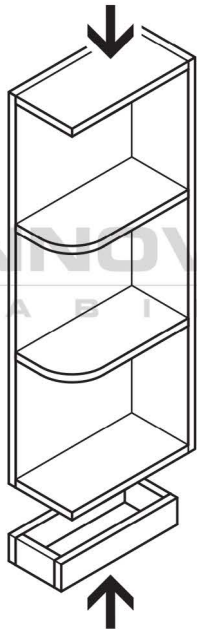
Step 3



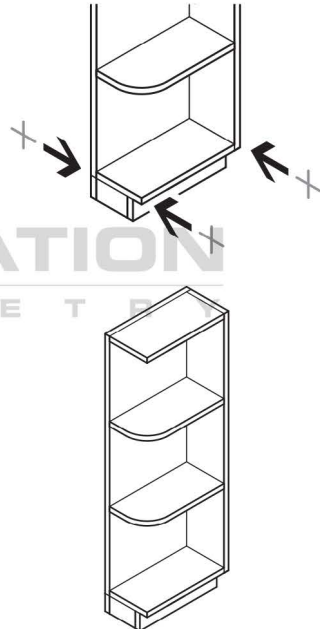
Step 4



Step 5



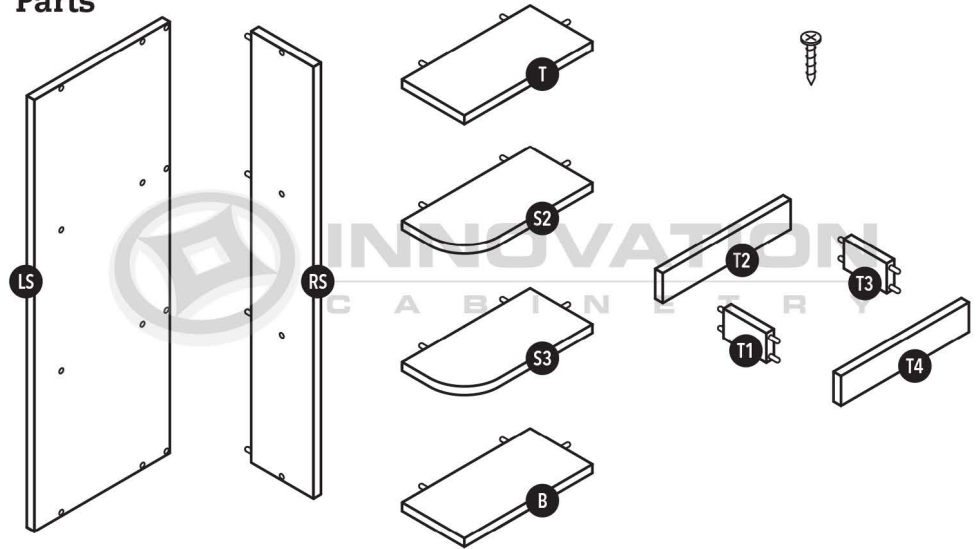
Step 6 + = finish nail



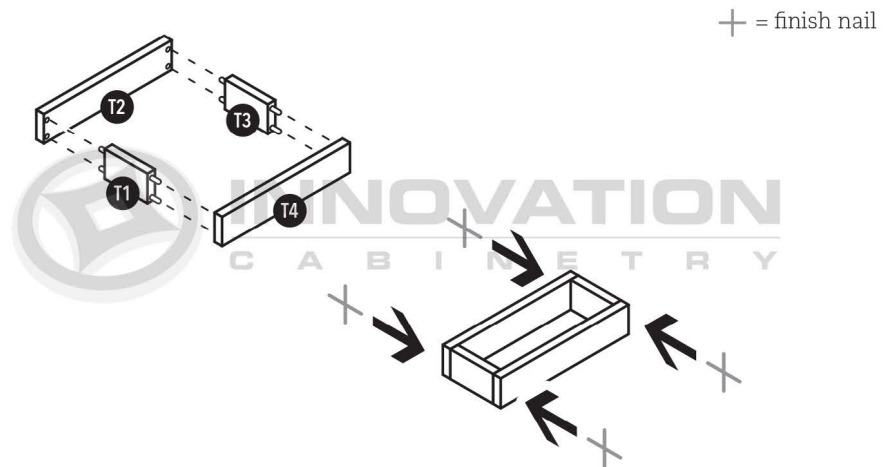
MODEL#: BOES12R, BOES12L

Base Open End Shelf

Parts

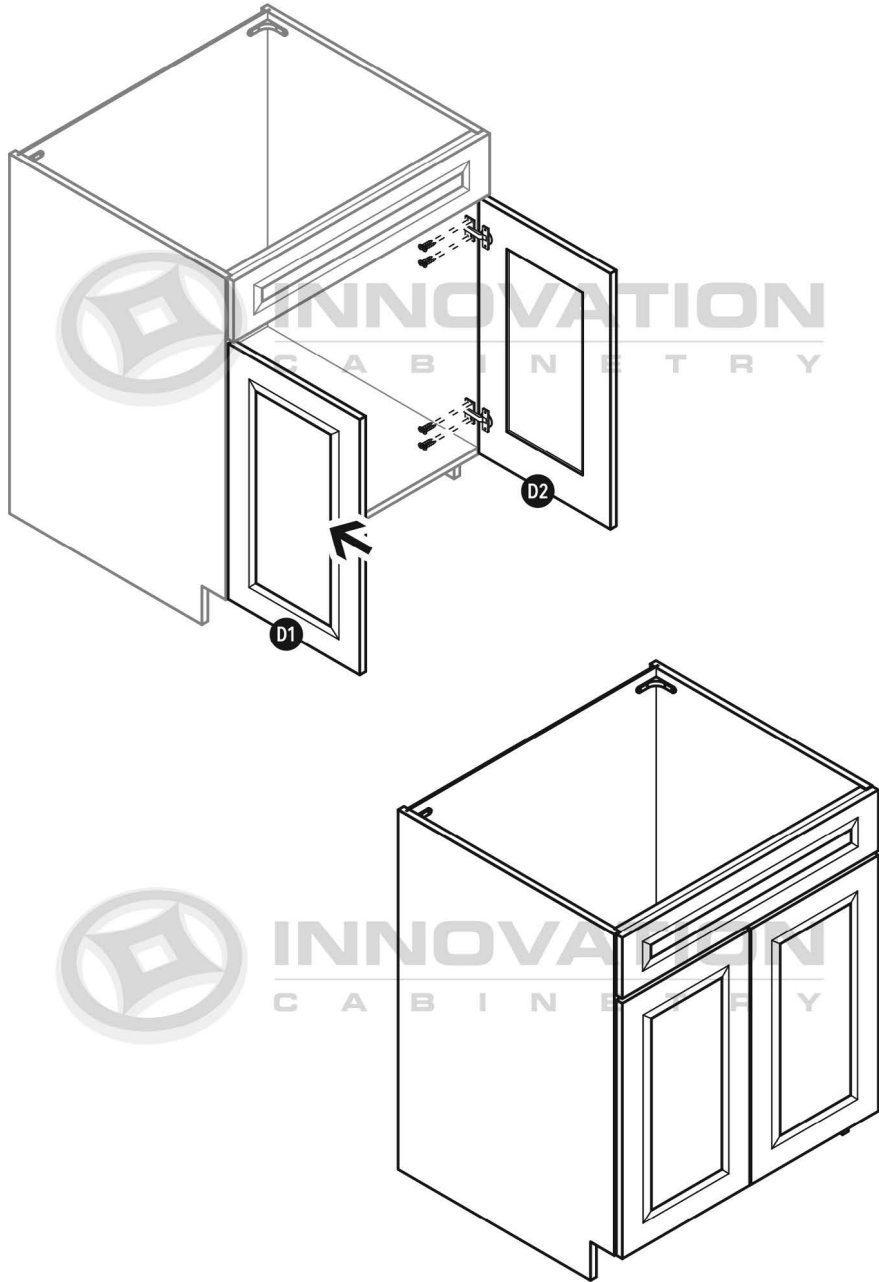


Step 1

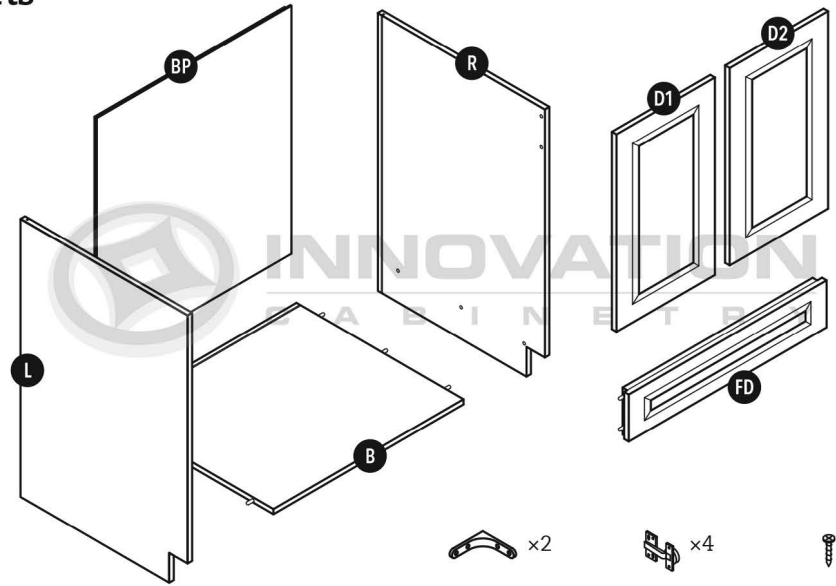


MODEL#: SB24, SB27, SB30, SB33, SB36, SB39, SB42

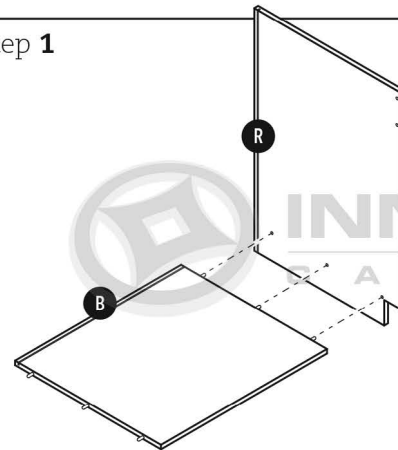
Sink Base Cabinet



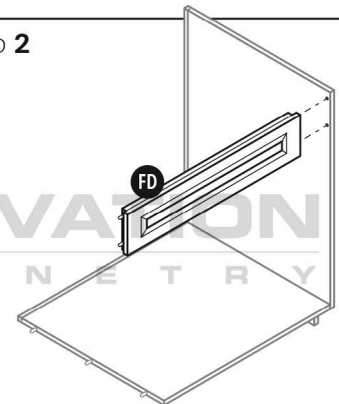
Parts



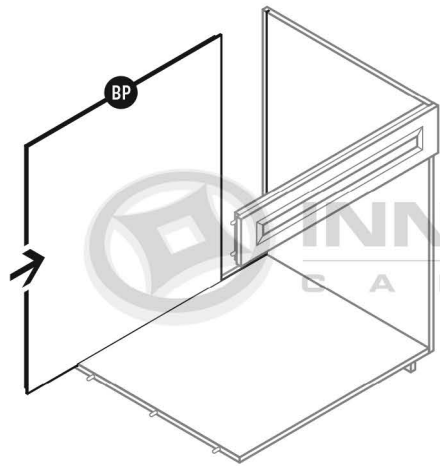
Step 1



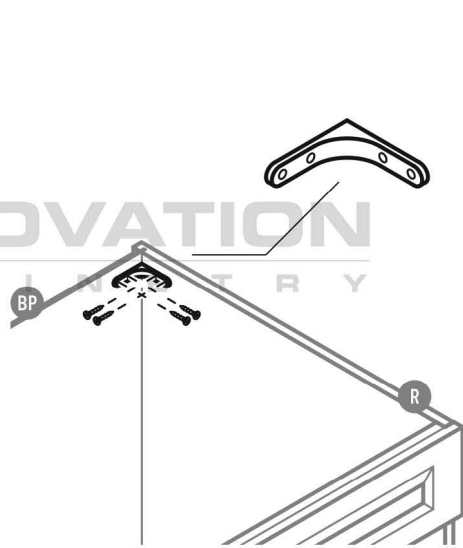
Step 2



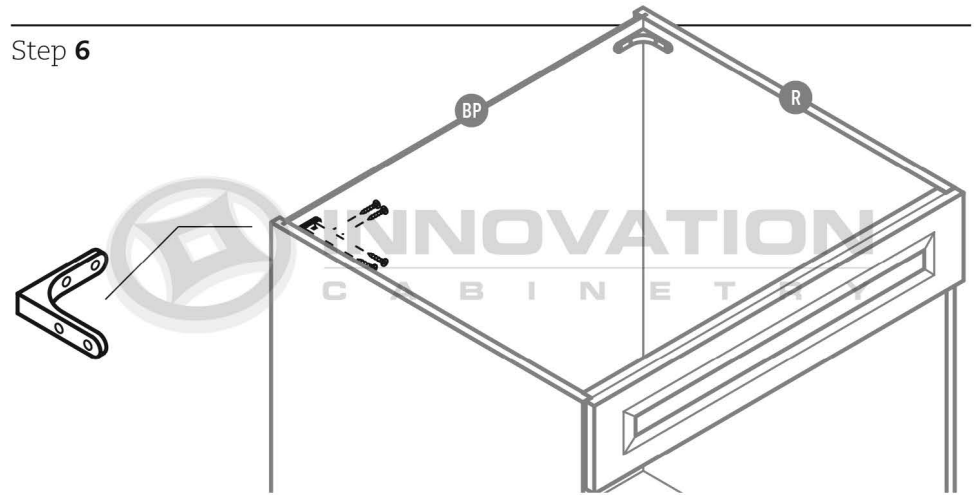
Step 3



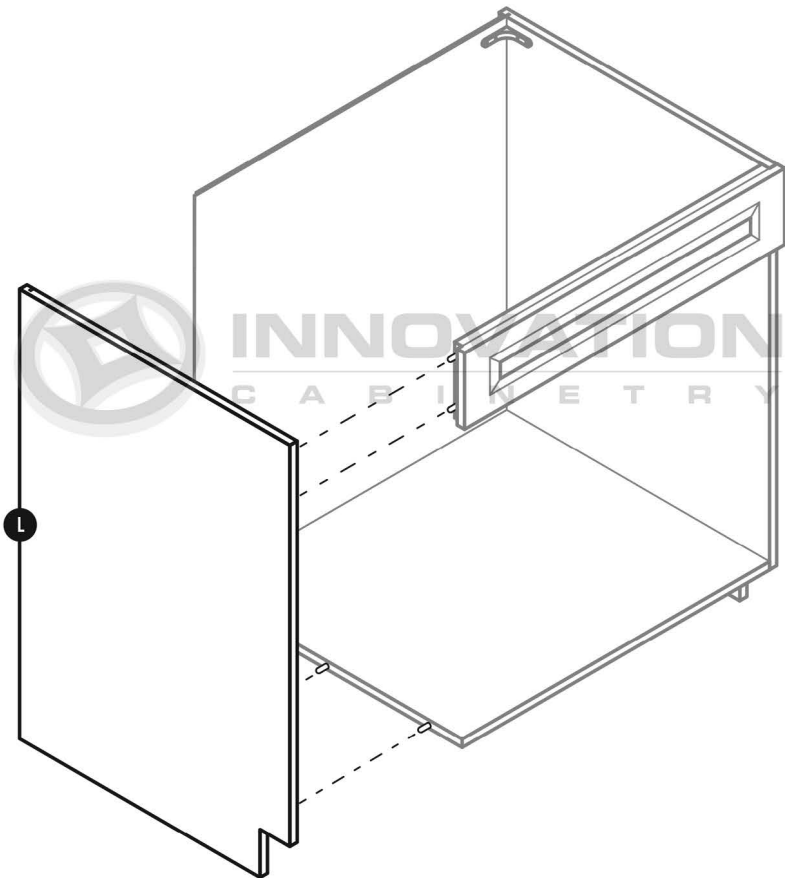
Step 4



Step 6

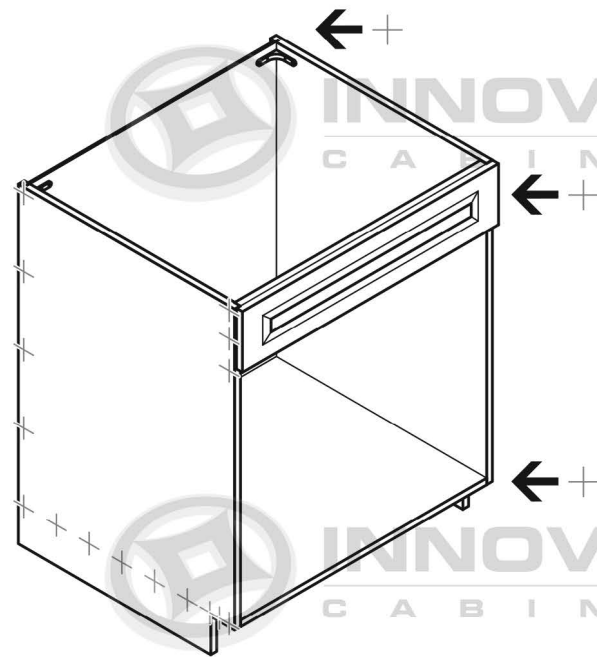


Step 5

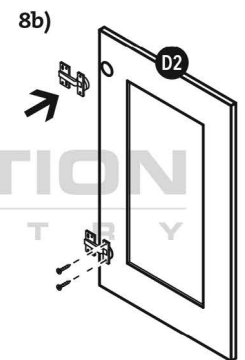
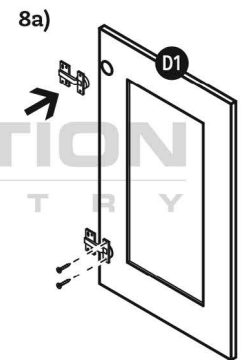


Step 7

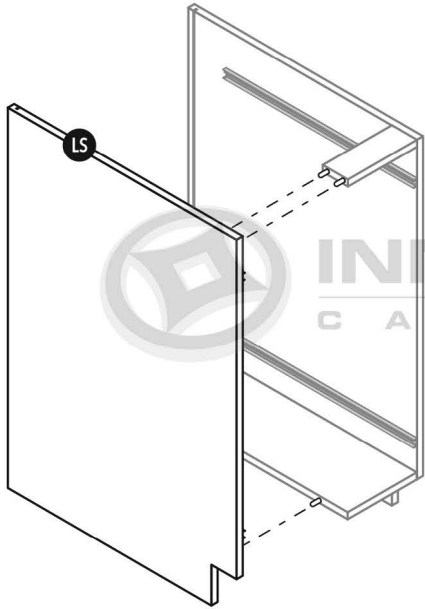
+ = finish nail



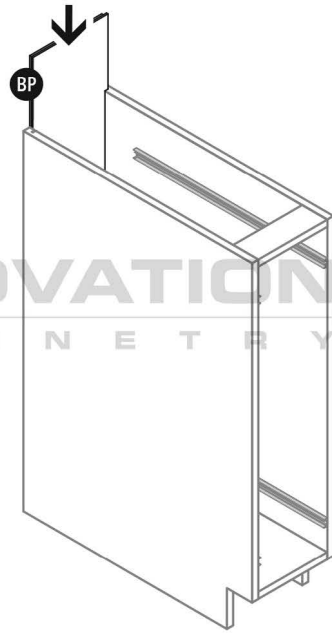
Step 8



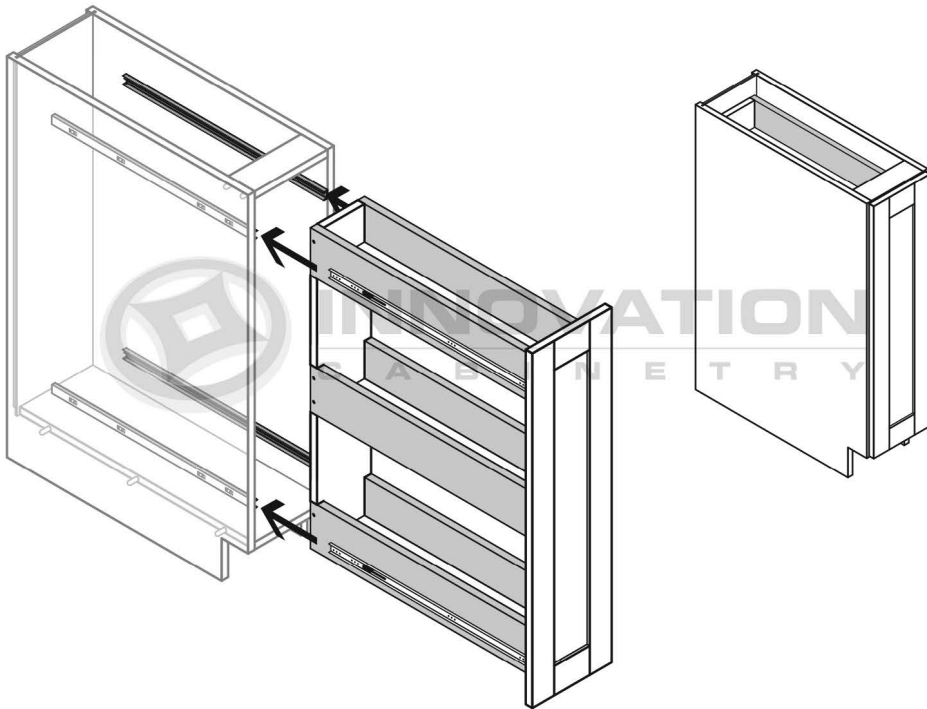
Step 7



Step 8



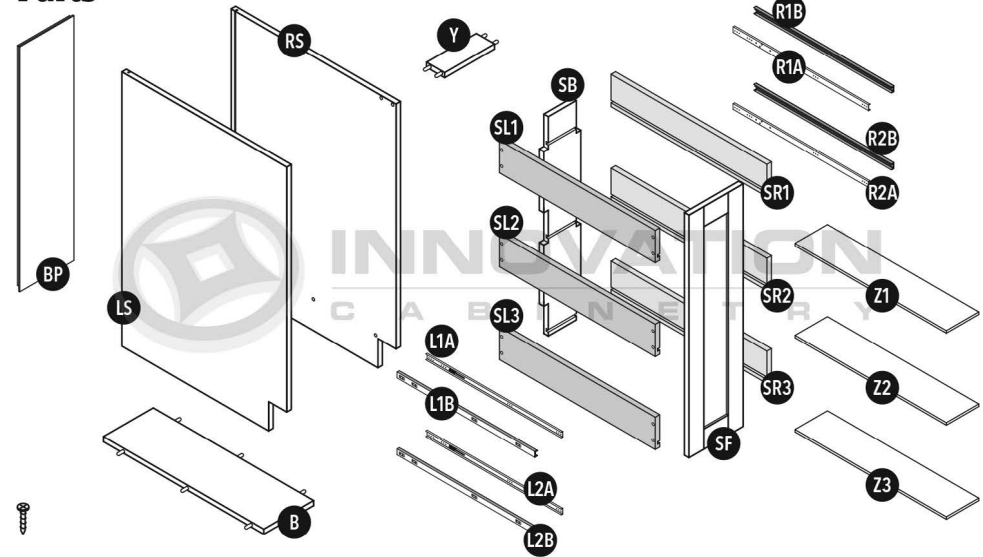
Step 9



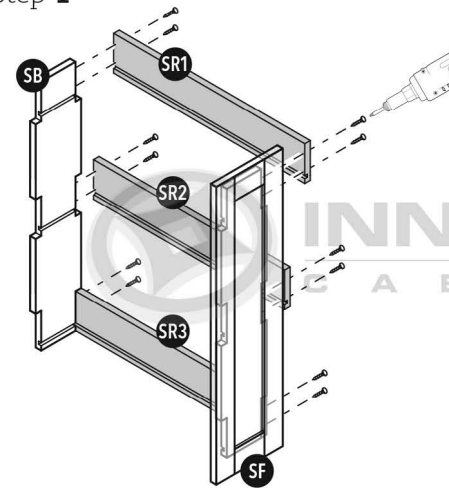
MODEL#: BSR09

Base Spice Rack

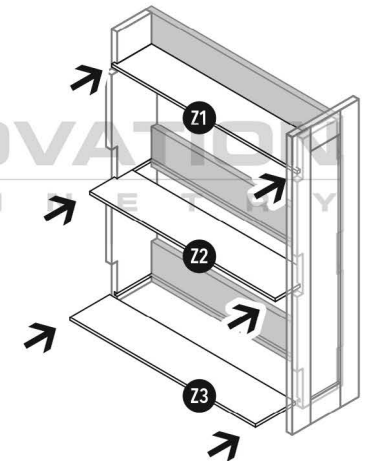
Parts



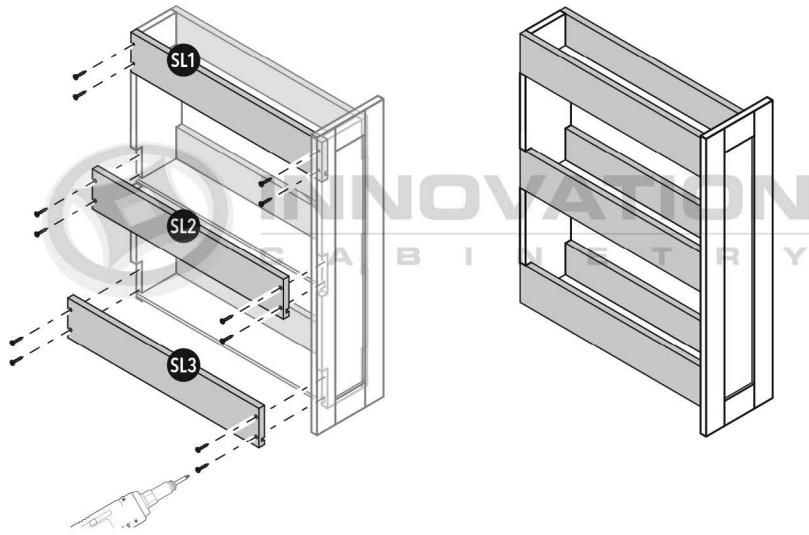
Step 1



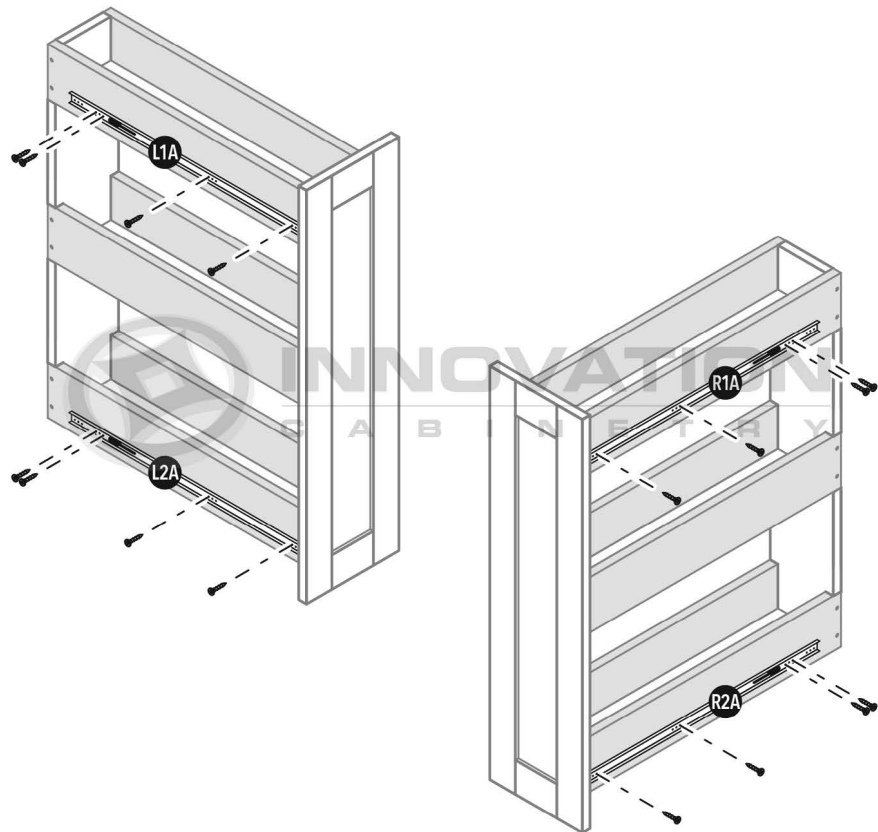
Step 2



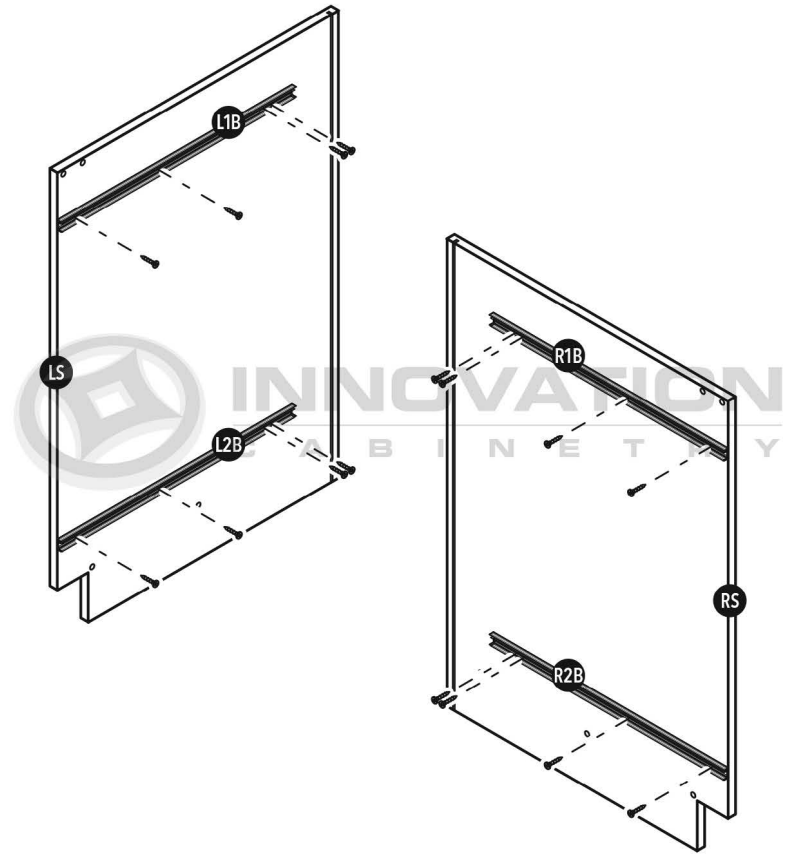
Step 3



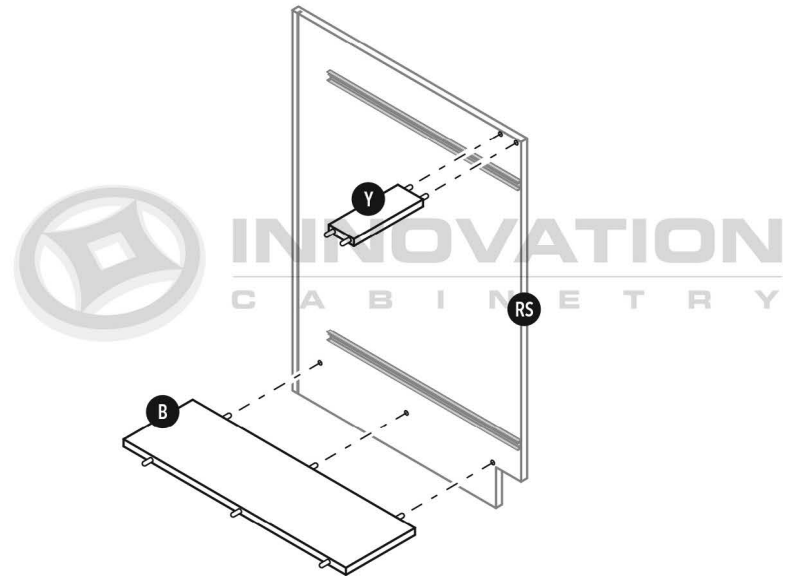
Step 4



Step 5

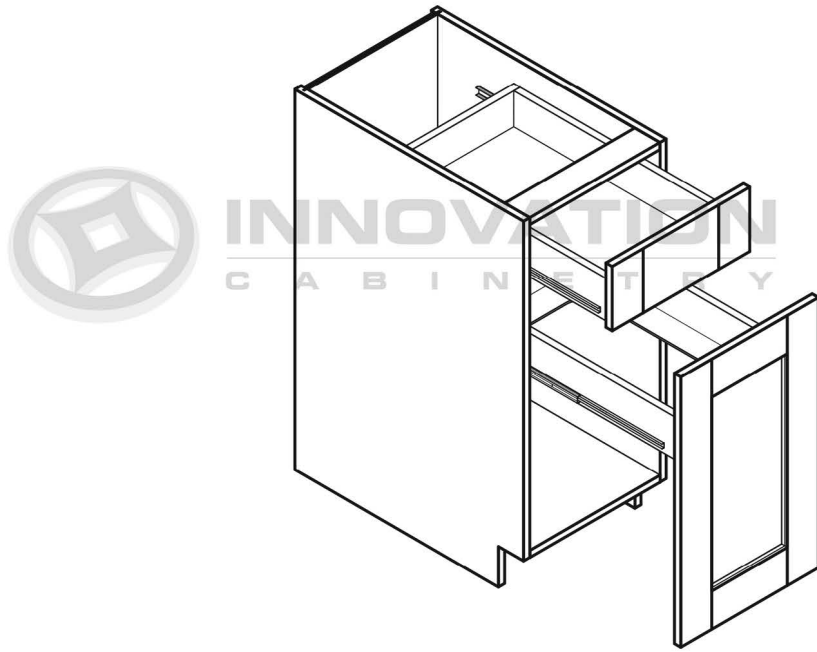
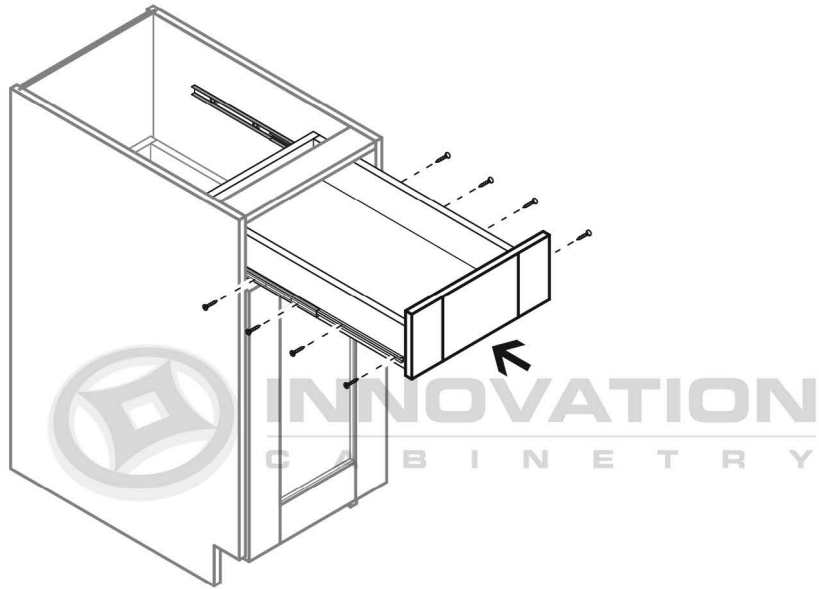


Step 6

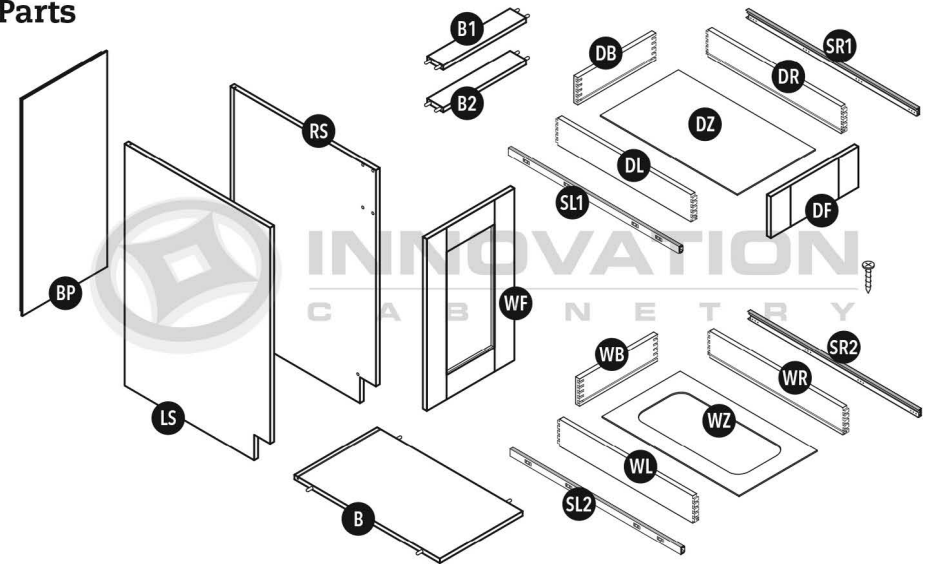


MODEL#: BWBK18

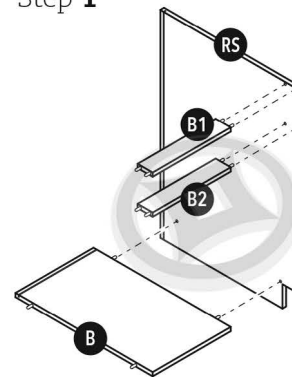
Base Waste Basket Cabinet



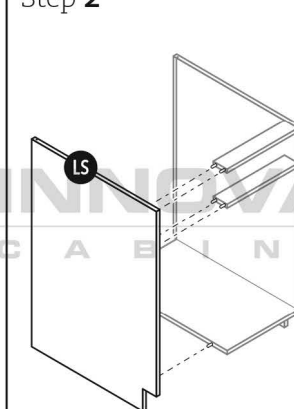
Parts



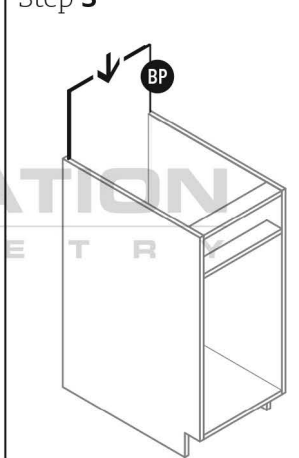
Step 1



Step 2

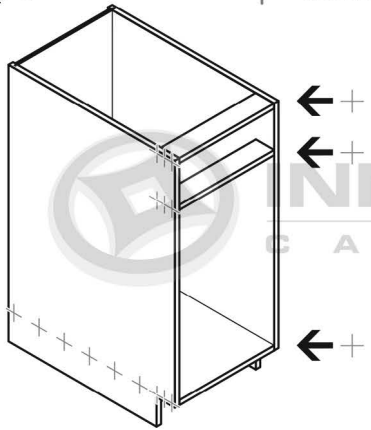


Step 3

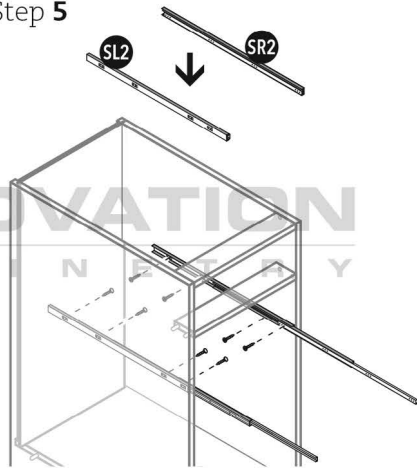


Step 4

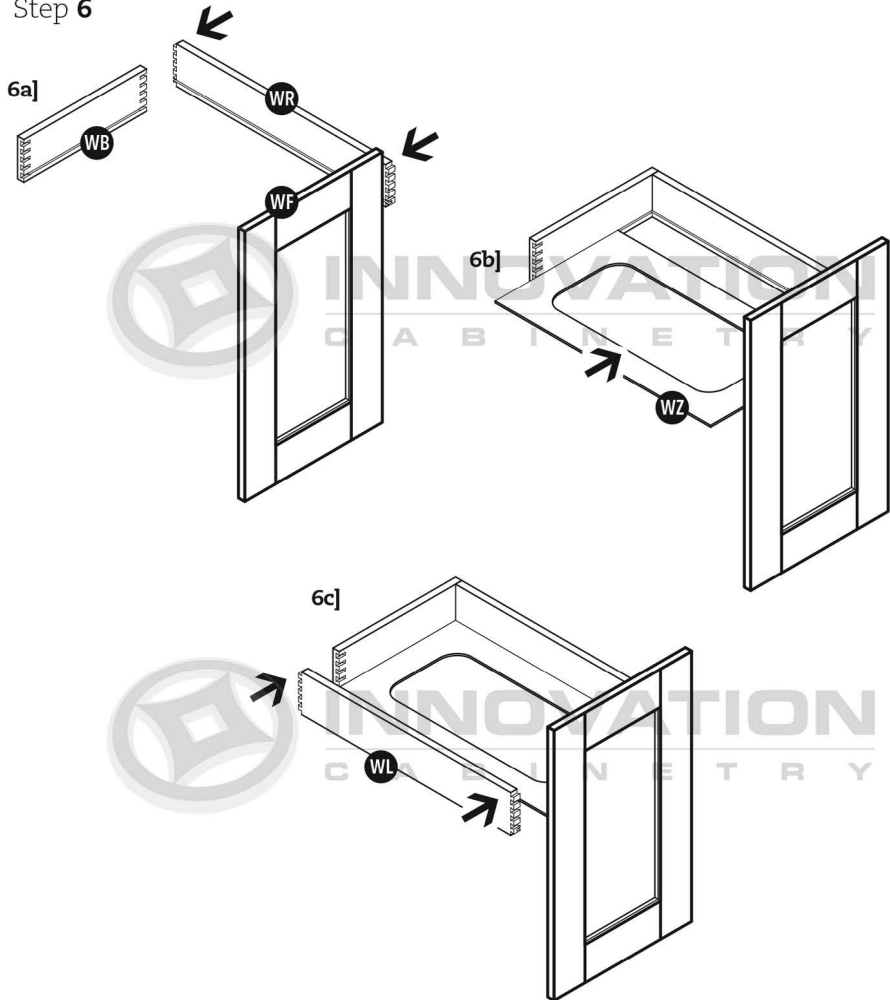
+ = finish nail



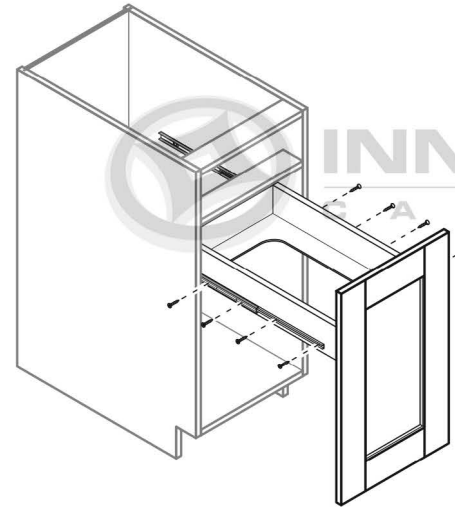
Step 5



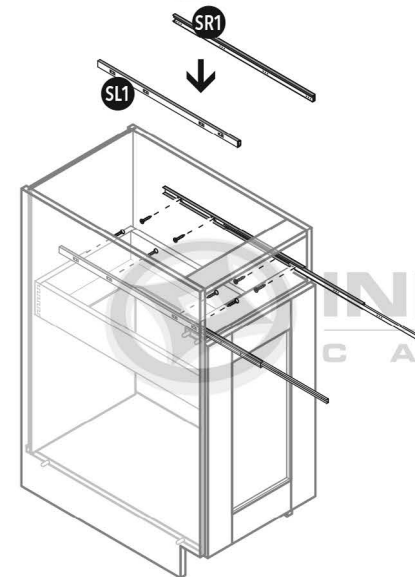
Step 6



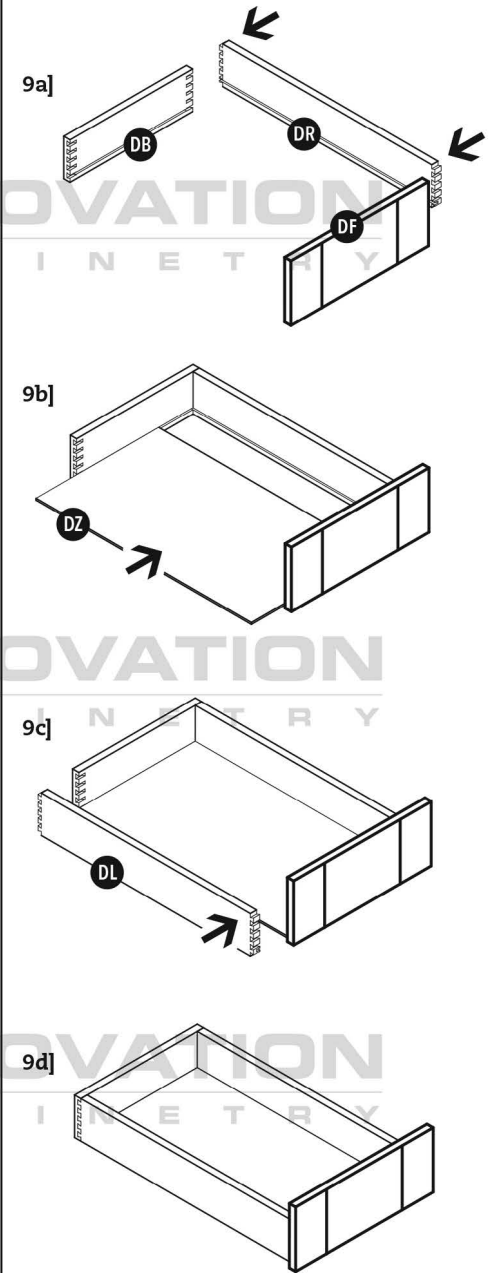
Step 7



Step 8



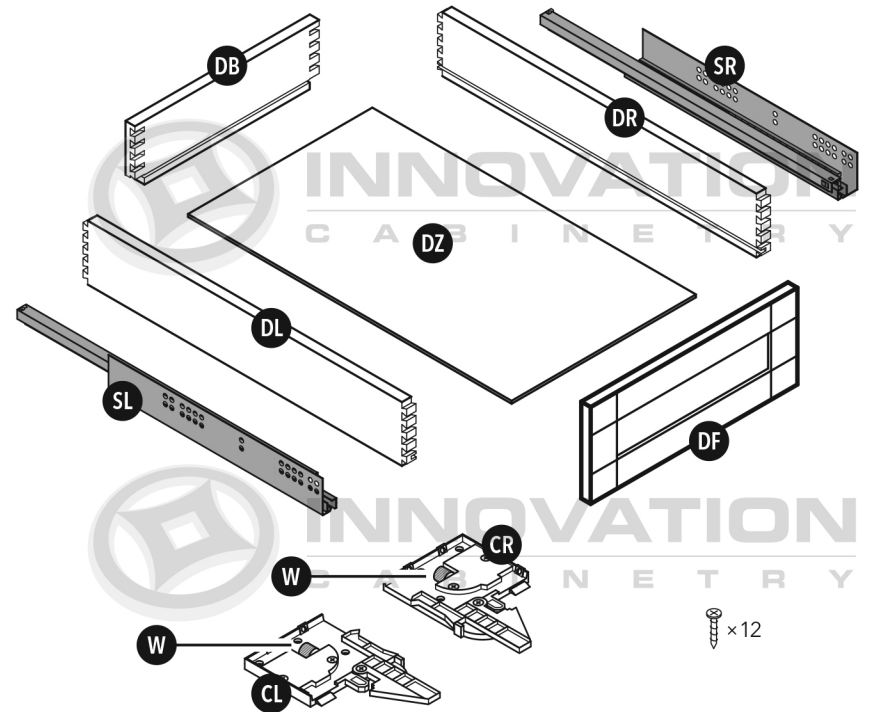
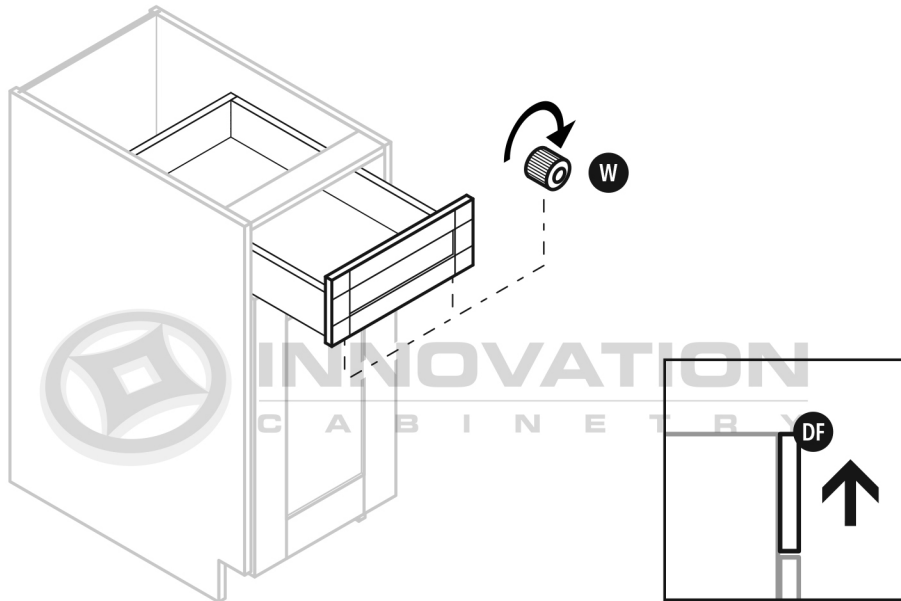
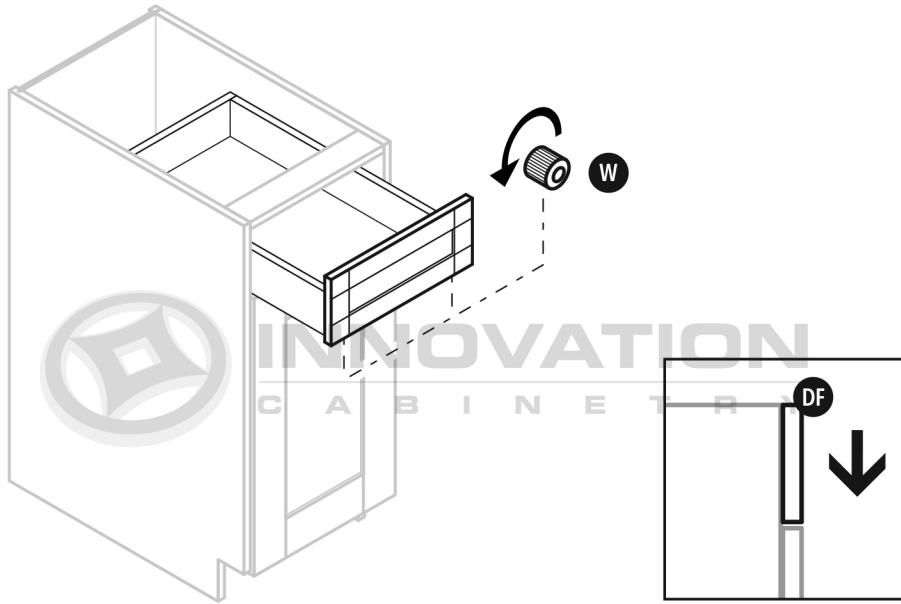
Step 9



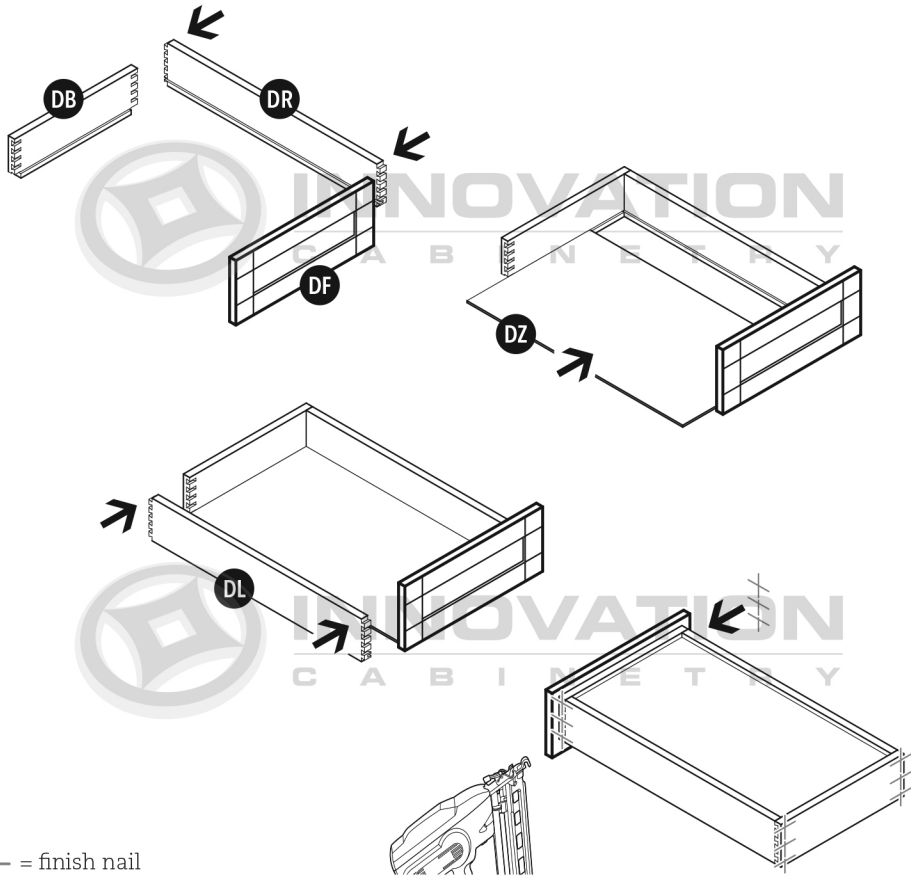
MODEL#: B02

Deluxe All Wood Box

Parts

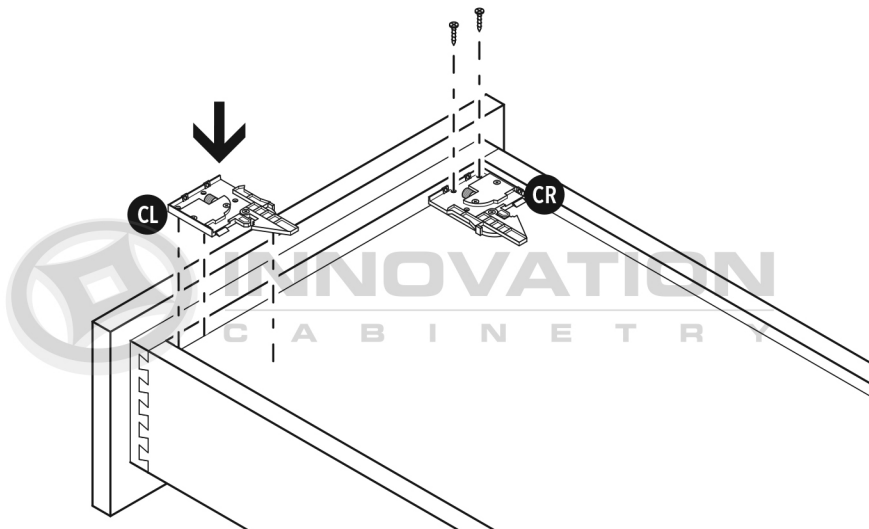


Box Assembly

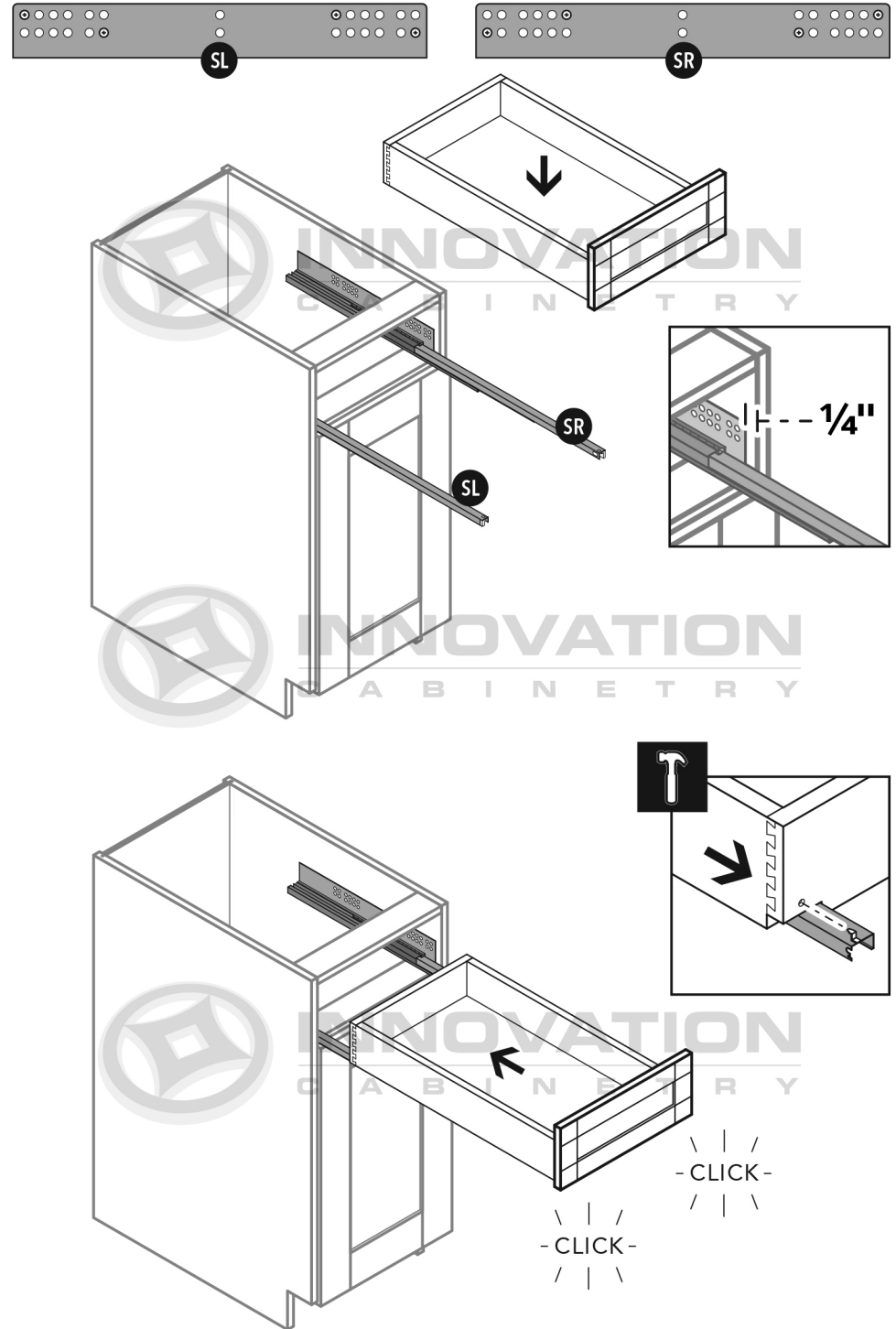


\dagger = finish nail

Drawer Clip Attachment

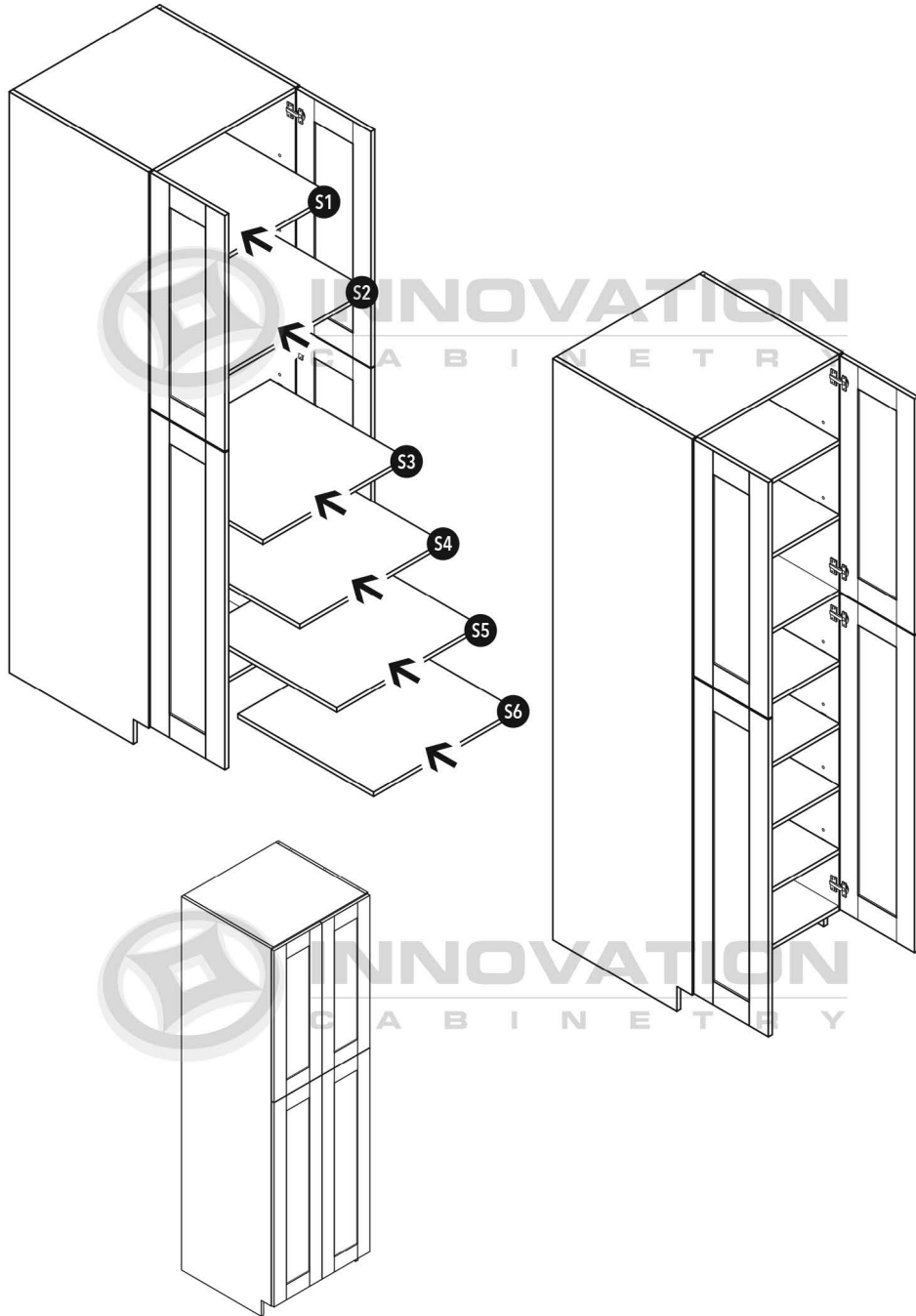


Placement on Extended Rails

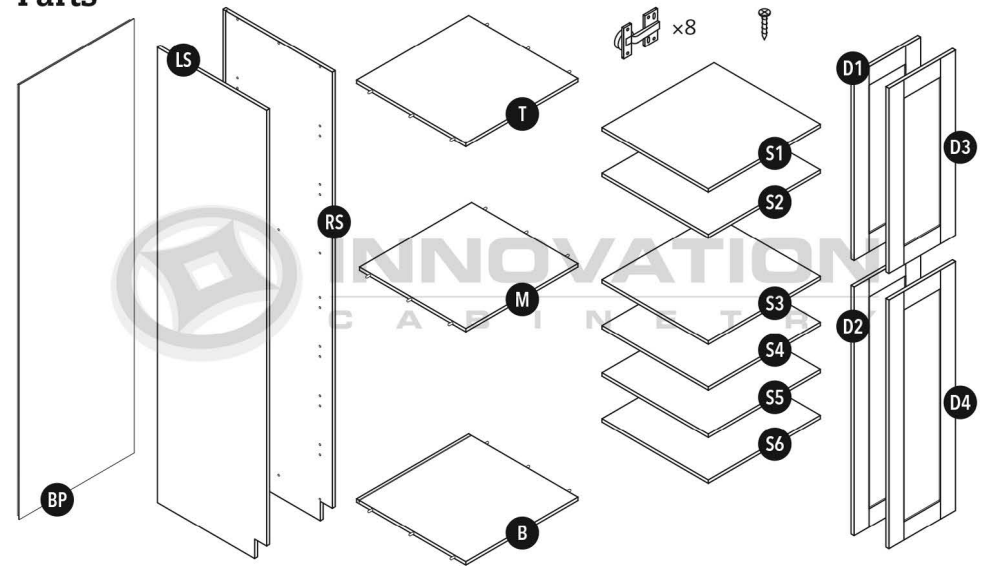


MODEL#: PC2484, PC2490, PC2496, PC3084, PC3090, PC3096

Double-door Pantry Cabinet

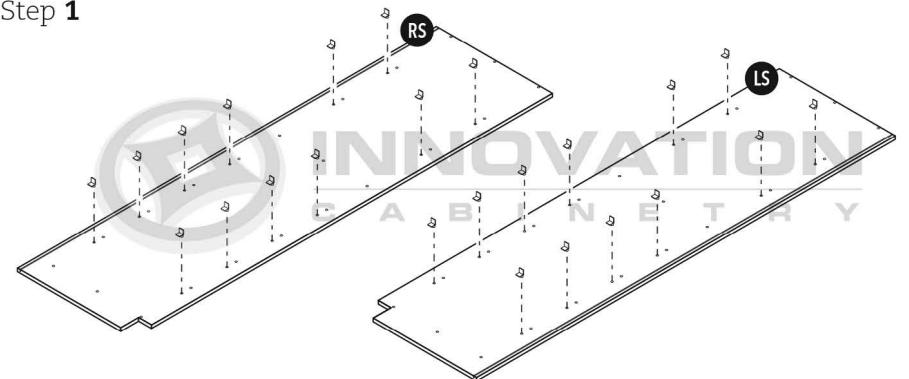


Parts



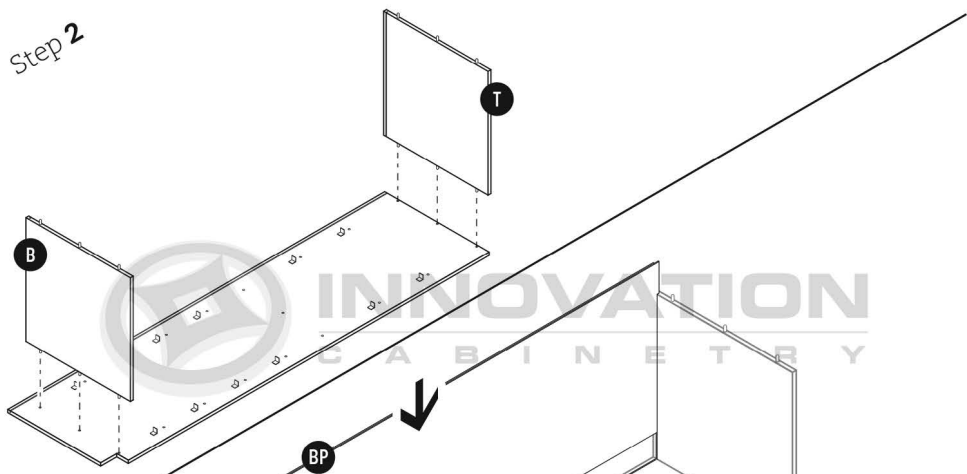
*84"H & 90"H cabinets contain (1) upper shelf, 96"H contains (2) upper shelves

Step 1

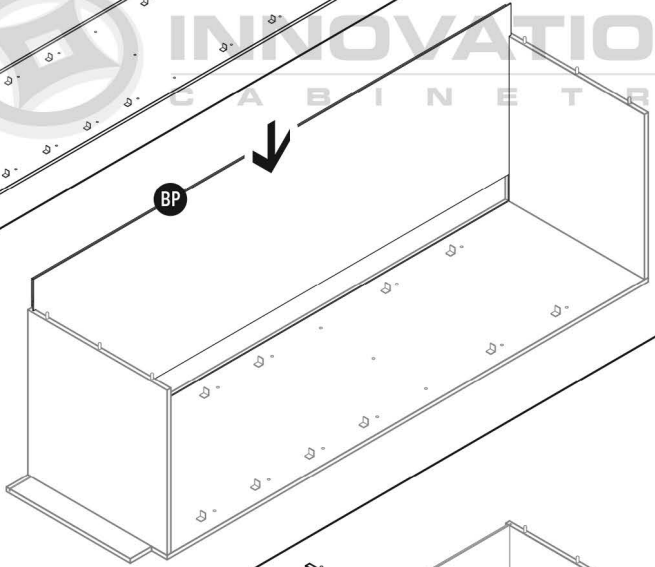


*84"H & 90"H cabinets contain (1) upper shelf, 96"H contains (2) upper shelves

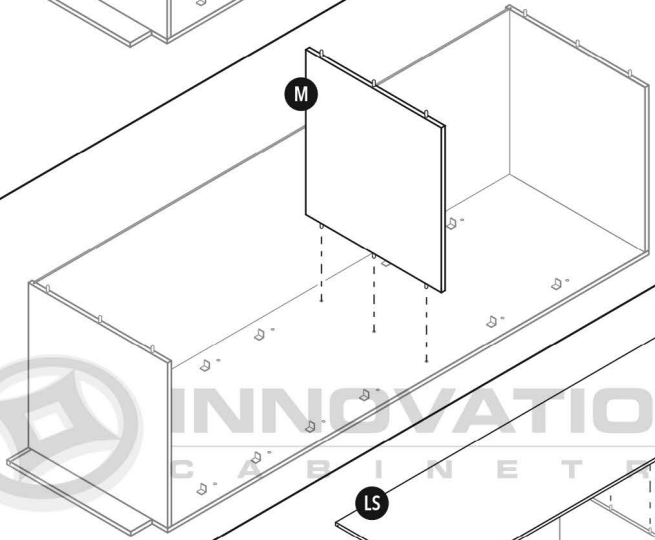
Step 2



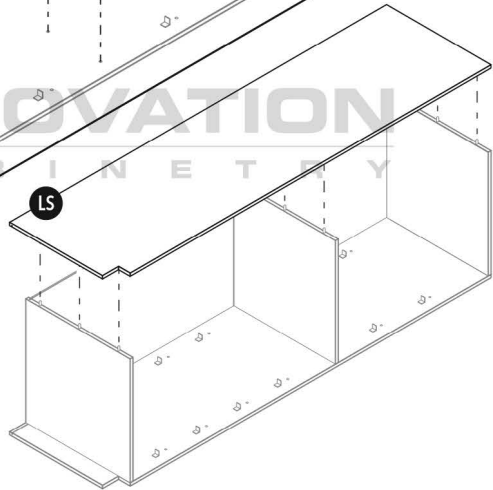
Step 3



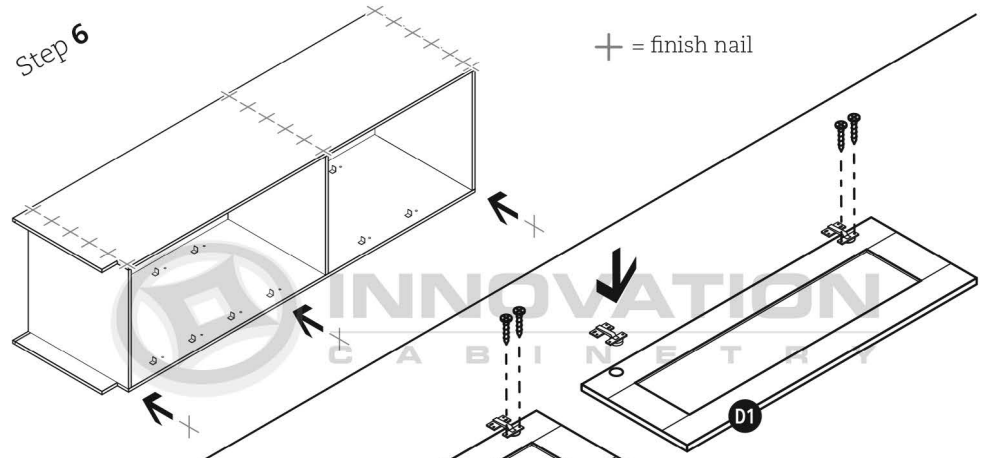
Step 4



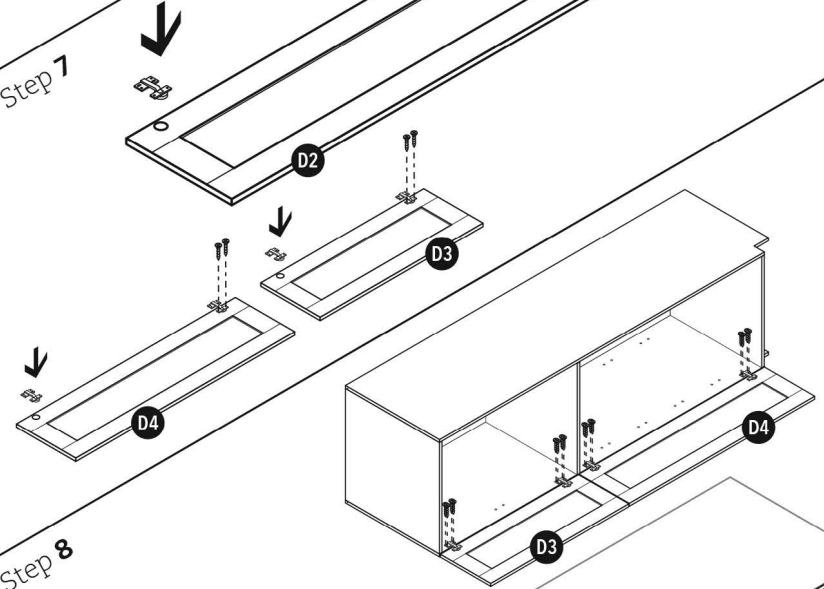
Step 5



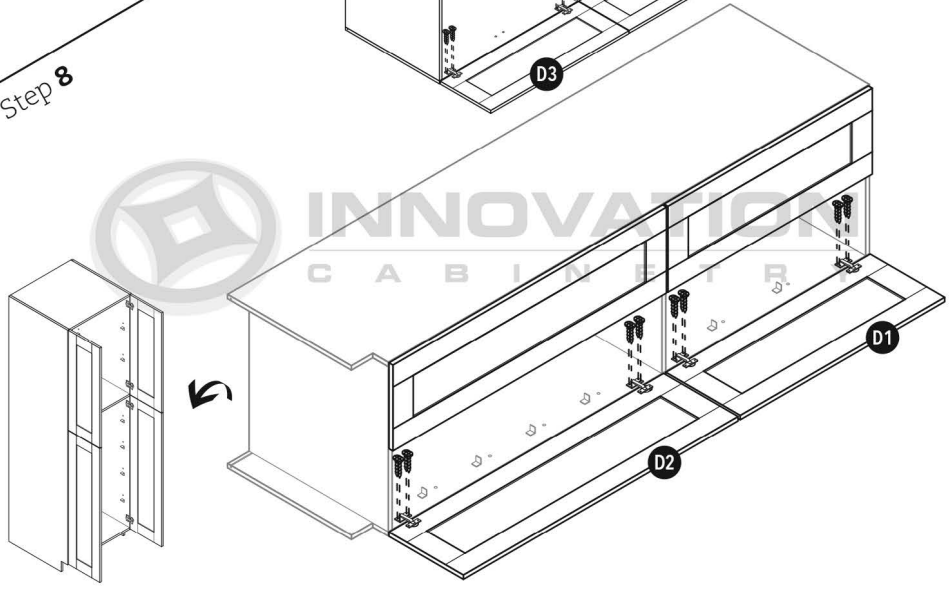
Step 6



Step 7



Step 8



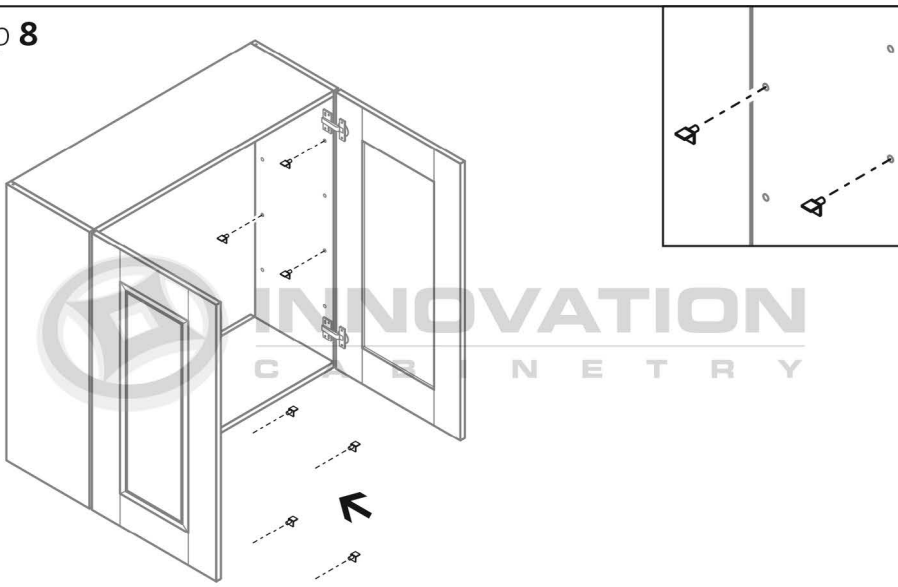
INNOVATION CABINETRY

INNOVATION CABINETRY

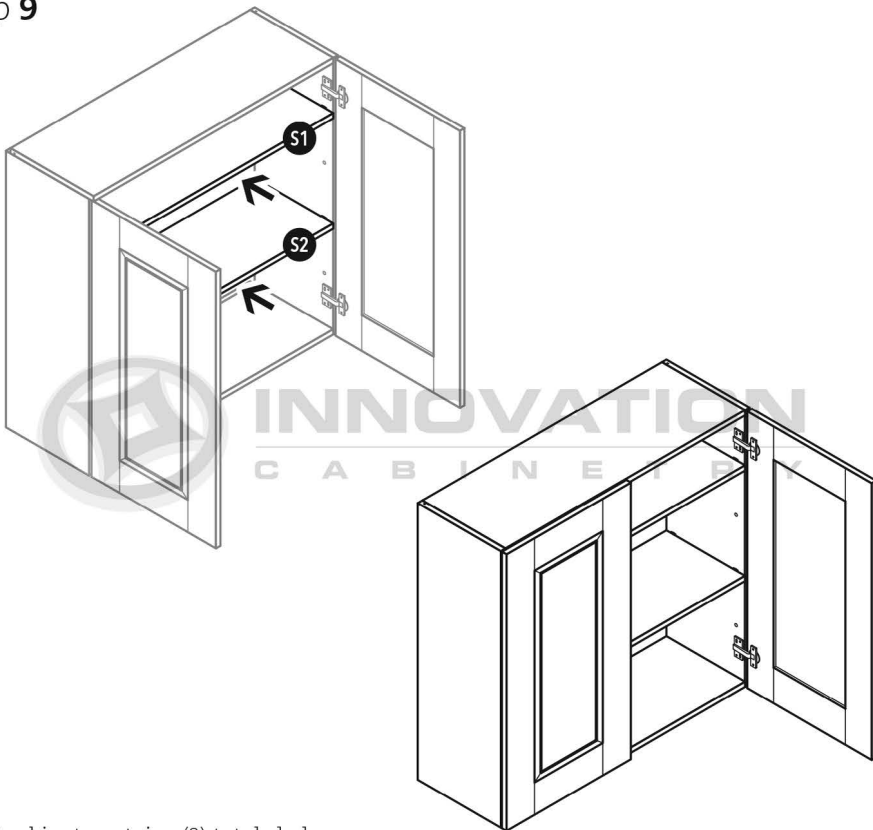
INNOVATION CABINETRY

INNOVATION CABINETRY

Step 8



Step 9

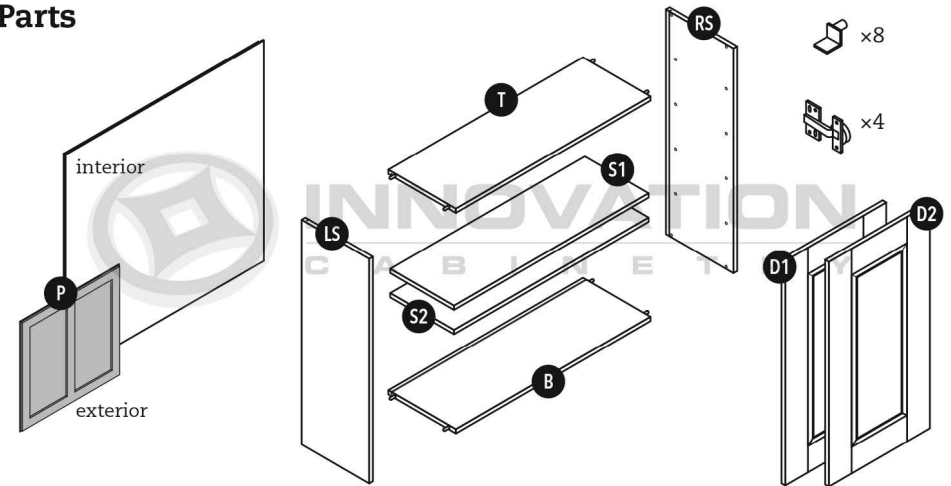


*42"H cabinet contains (3) total shelves

MODEL#: ALL DOUBLE DOOR WALL CABINETS W/SHELVES

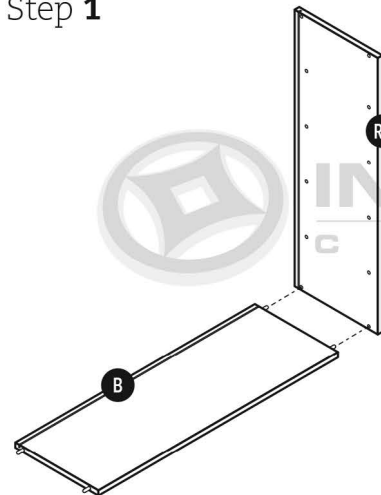
Wall Cabinet With Shelves

Parts

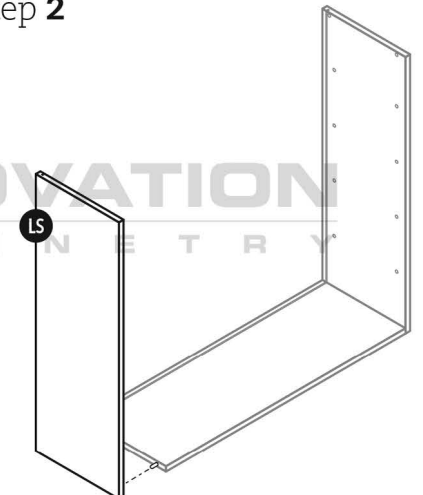


*42"H cabinet contains (3) total shelves

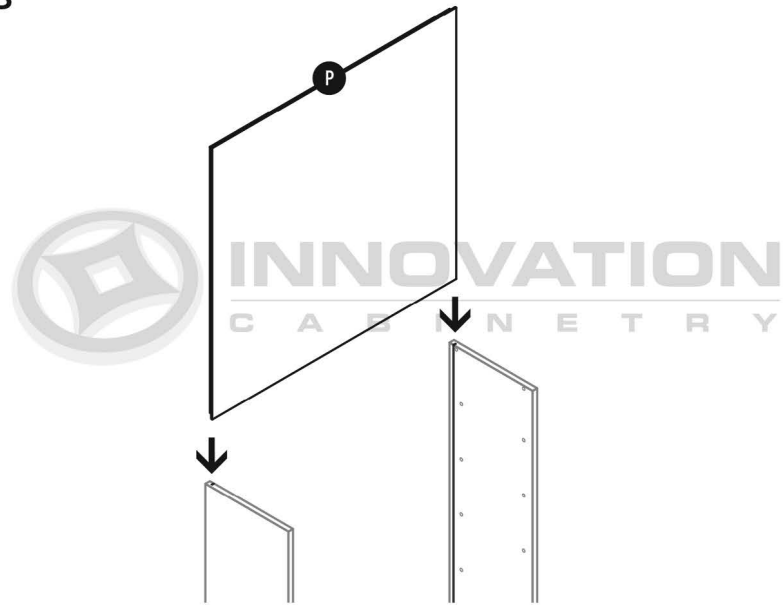
Step 1



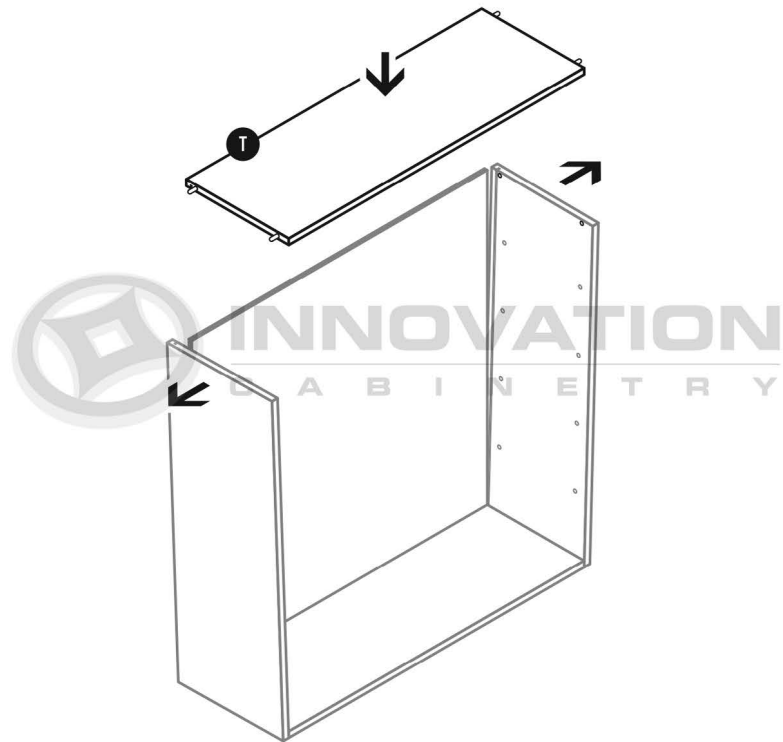
Step 2



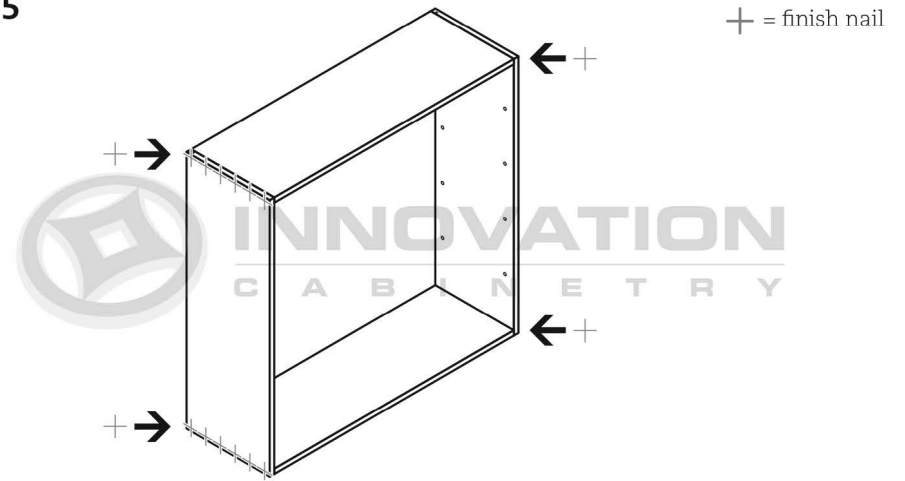
Step 3



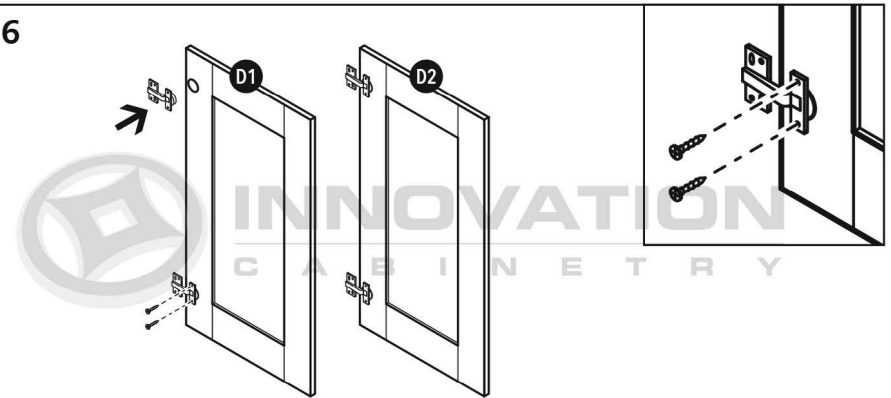
Step 4



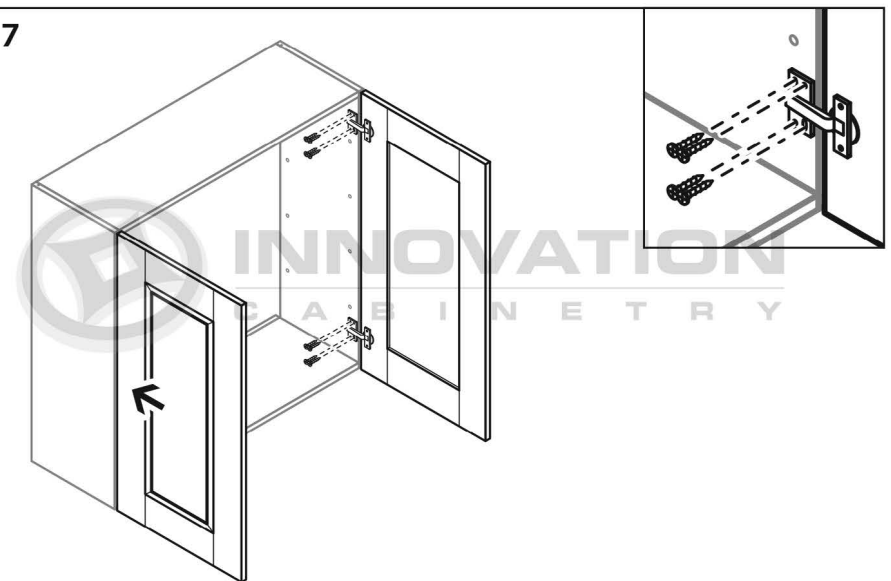
Step 5



Step 6



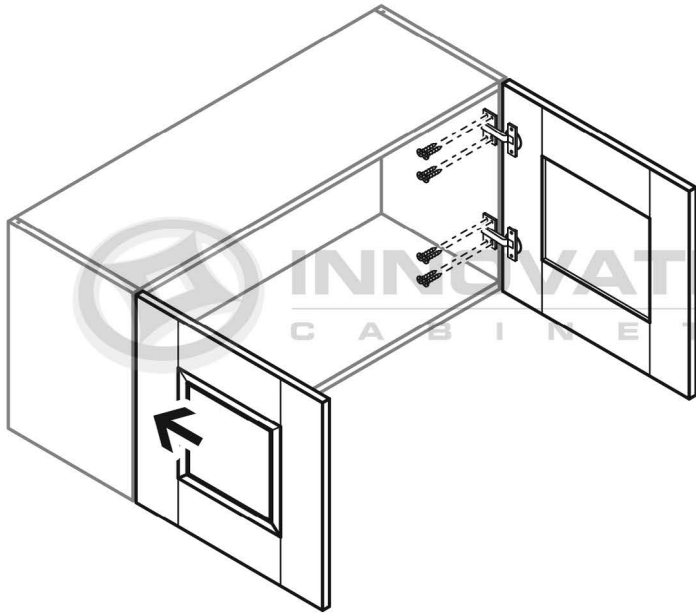
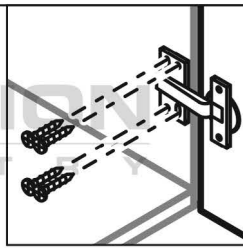
Step 7



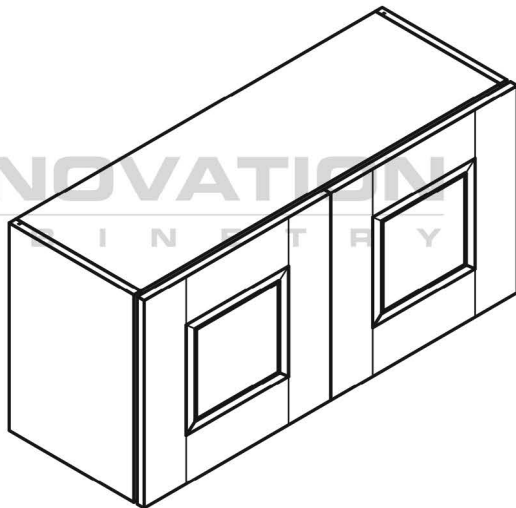
Step 7



INNOVATION
CABINETRY



INNOVATION
CABINETRY

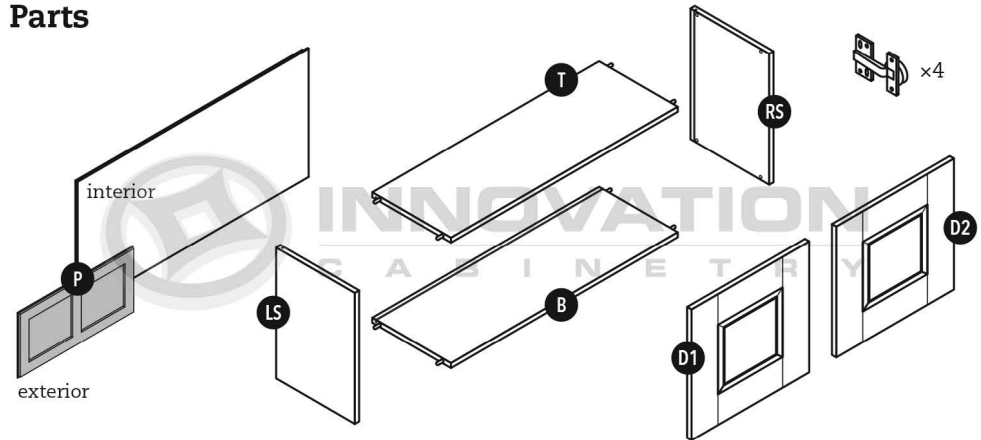


1-888-206-1088
innovationcabinetry.com
info@innovationcabinetry.com

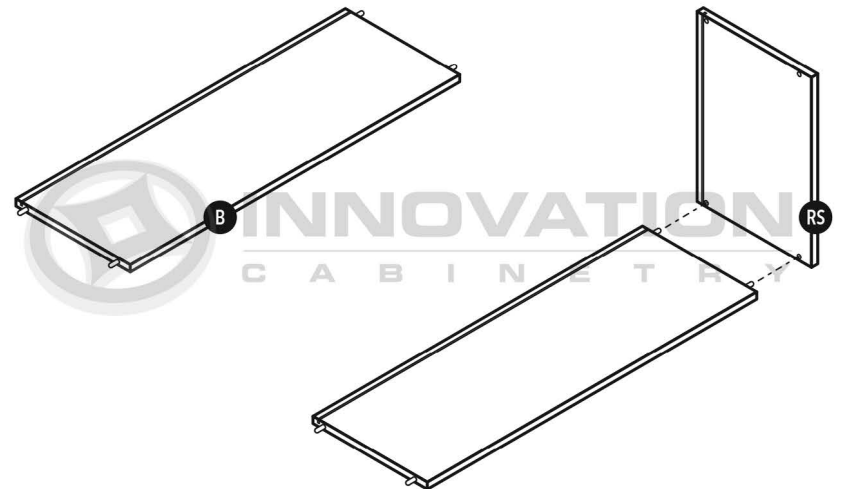
MODEL#: W3012, W3015, W3018, W3021, W3612, W3615, W3618, W3621

Two-door Wall Cabinet

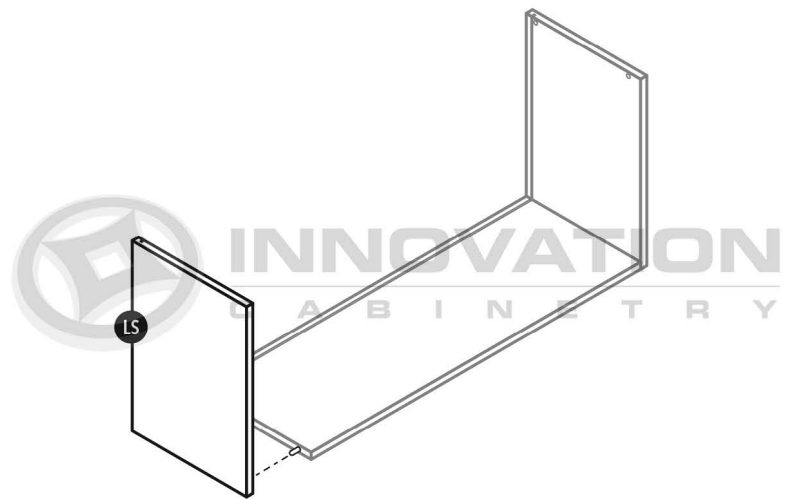
Parts



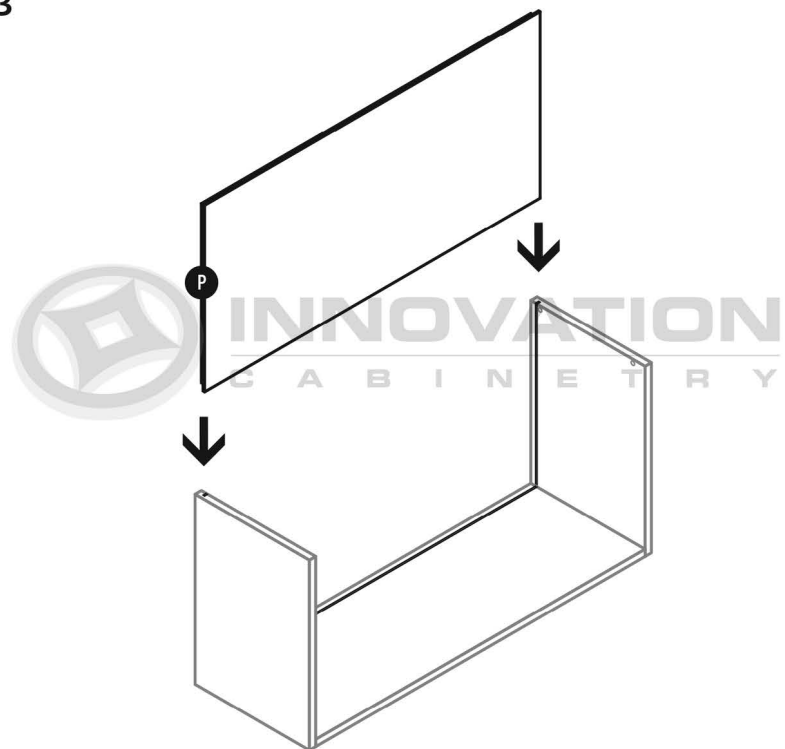
Step 1



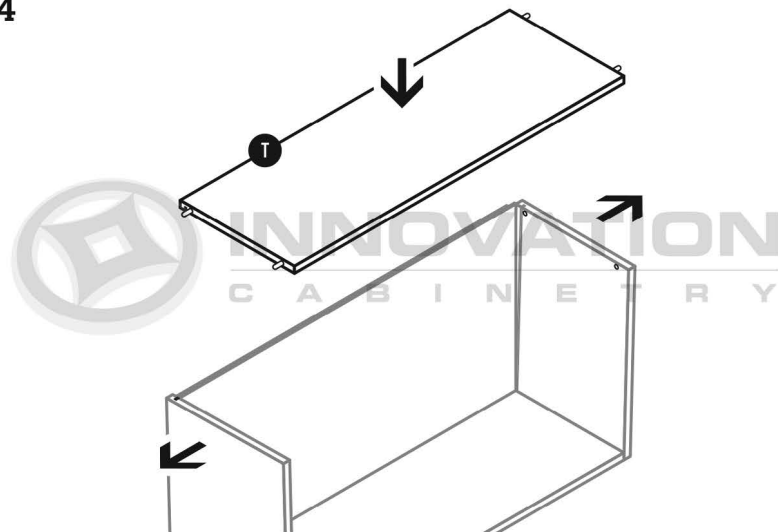
Step 2



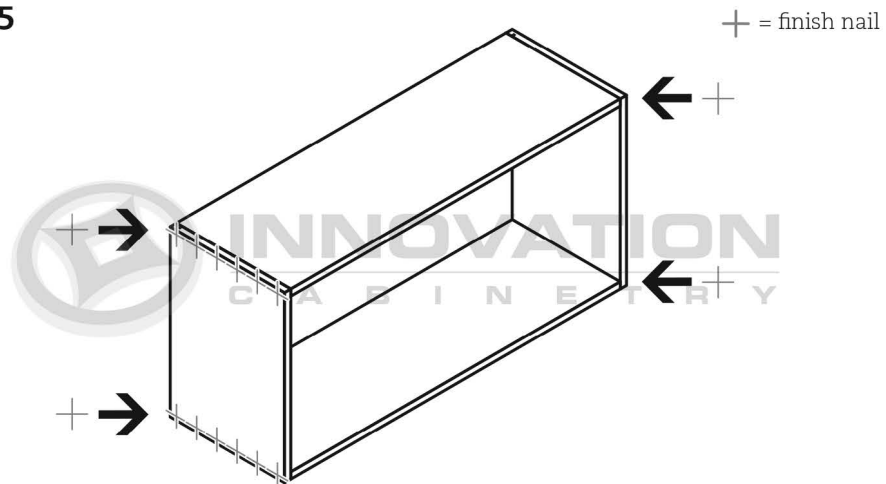
Step 3



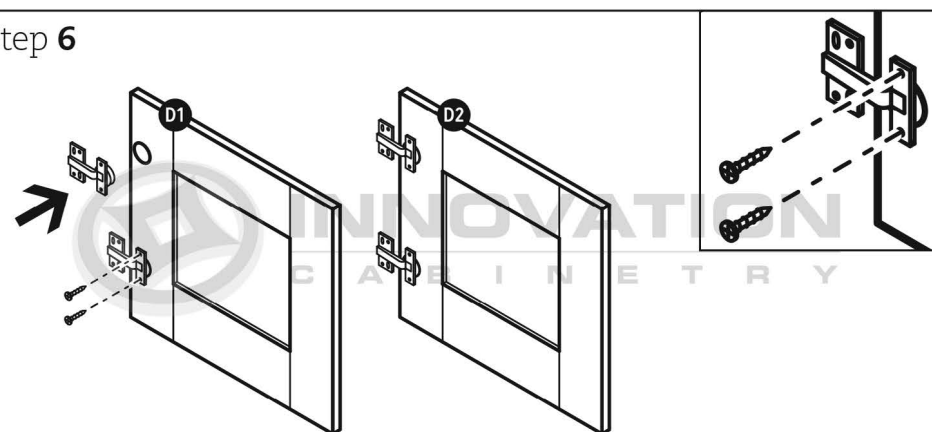
Step 4



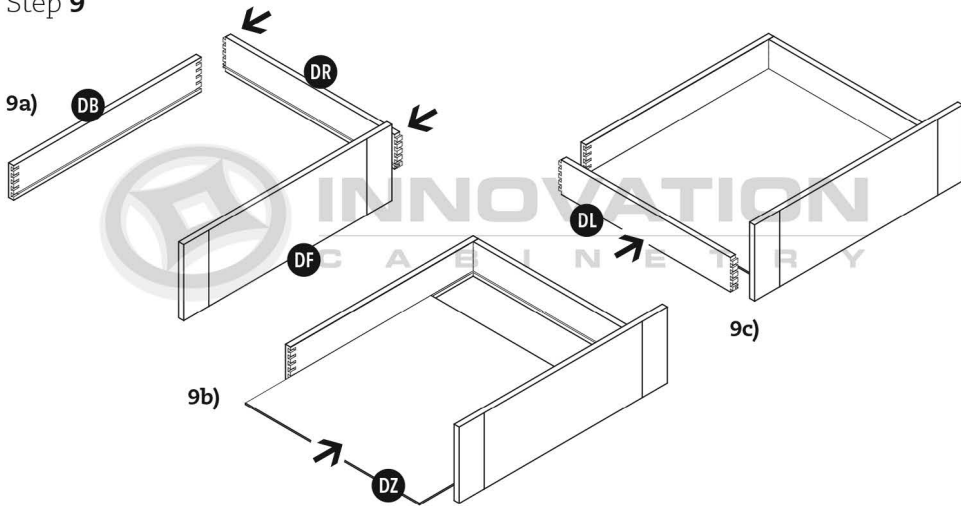
Step 5



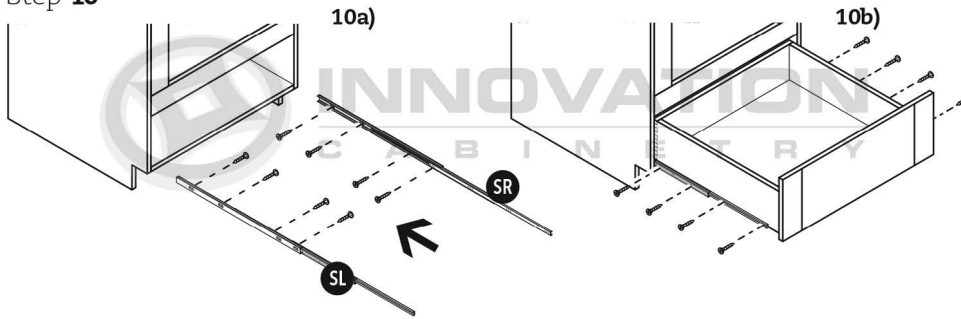
Step 6



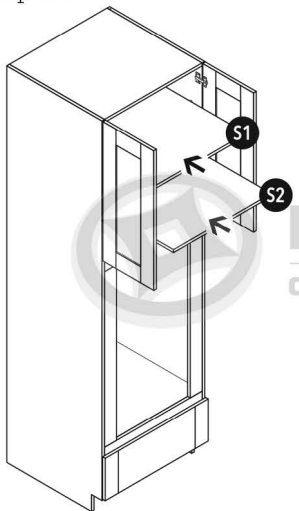
Step 9



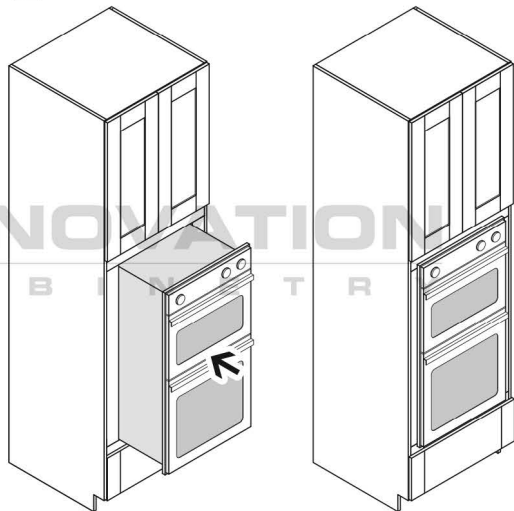
Step 10



Step 11



Step 12

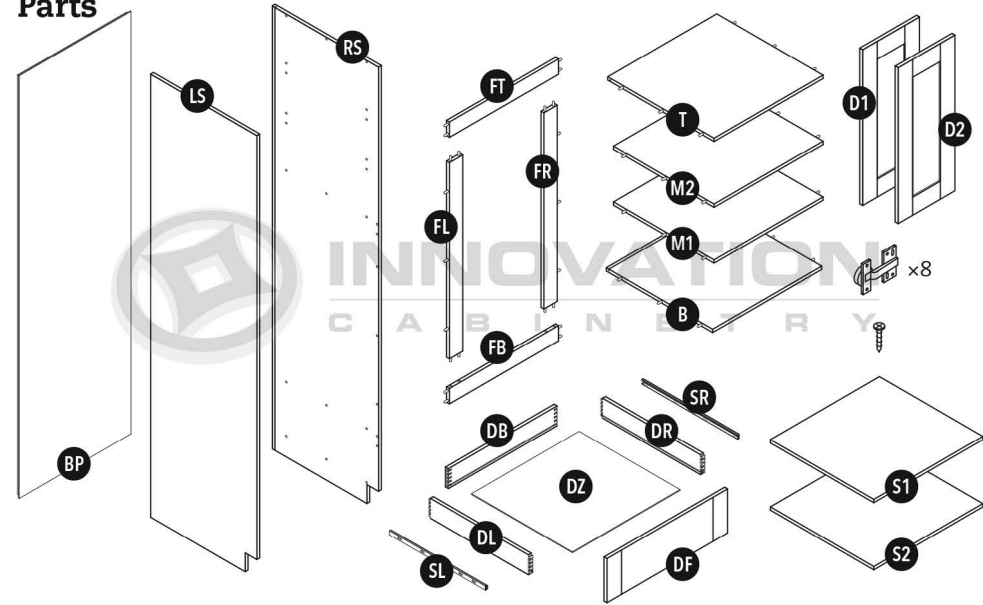


*84"H & 90"H cabinets contain (1) upper shelf, 96"H contains (2) upper shelves

MODEL#: DOC3084, DOC3090, DOC3096

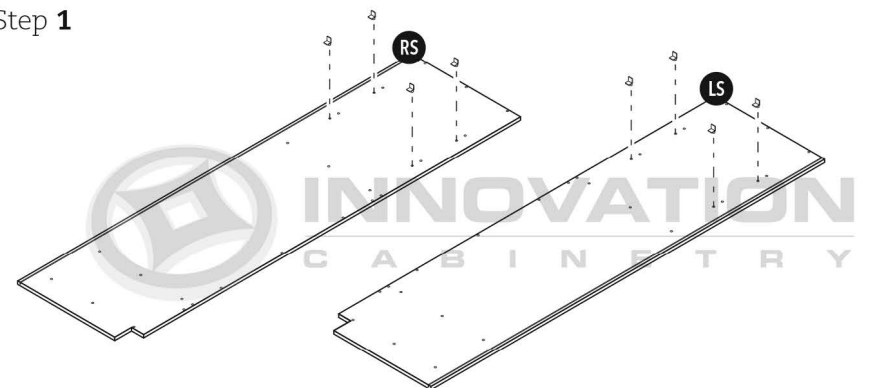
Tall Double Oven Cabinet

Parts

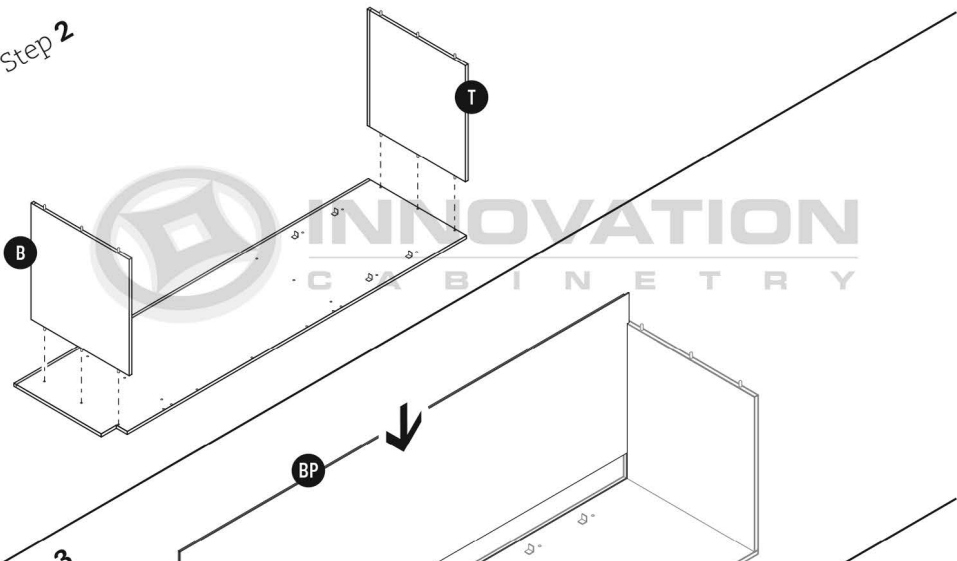


*84"H & 90"H cabinets contain (1) upper shelf, 96"H contains (2) upper shelves

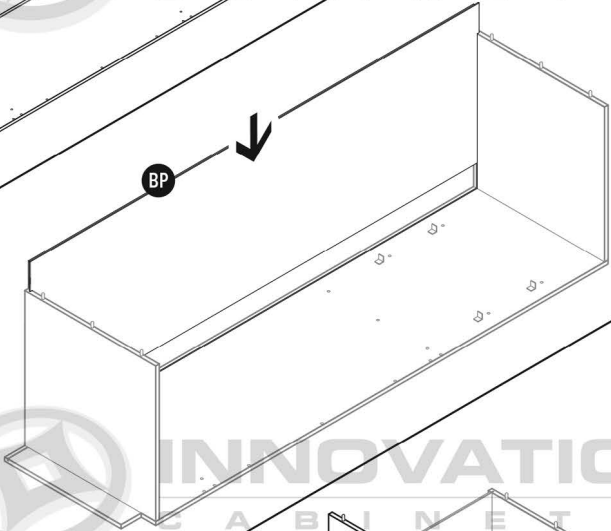
Step 1



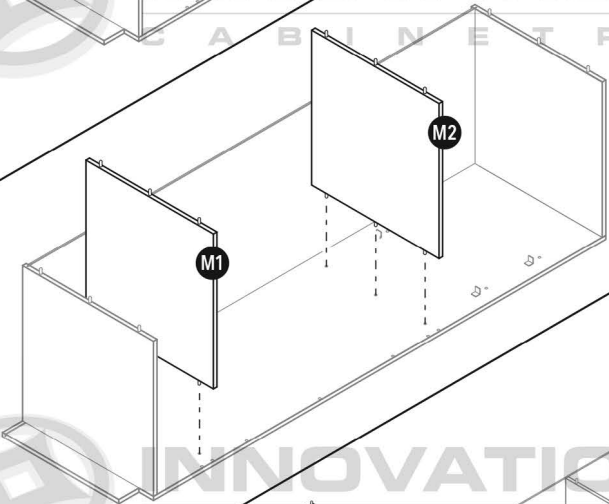
Step 2



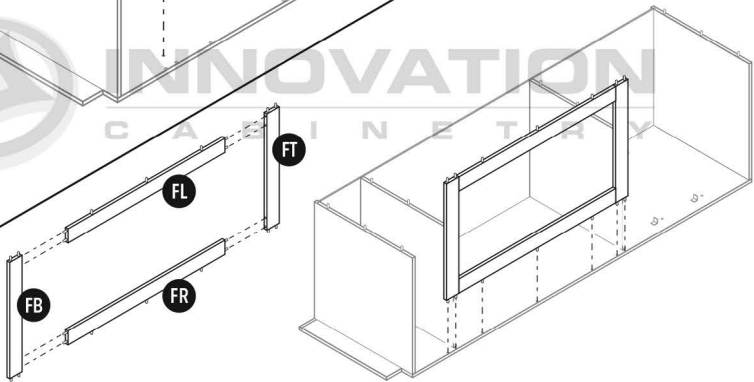
Step 3



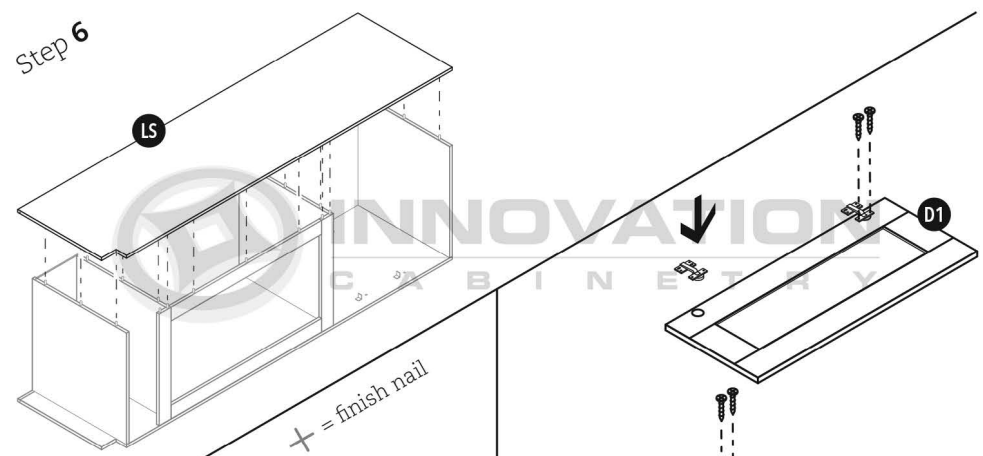
Step 4



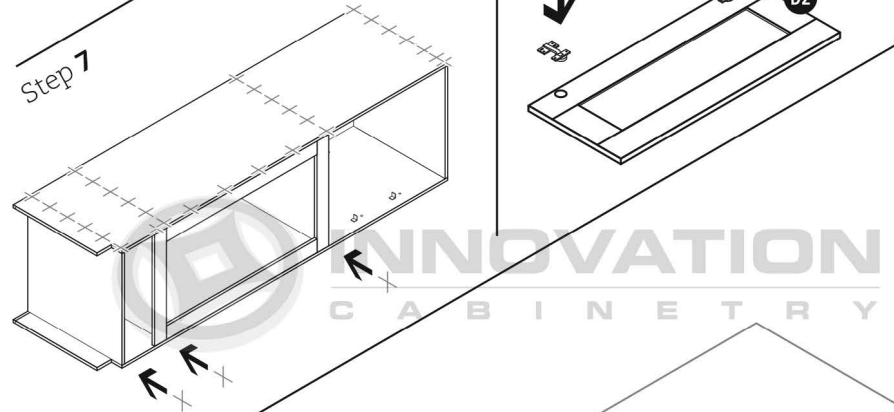
Step 5



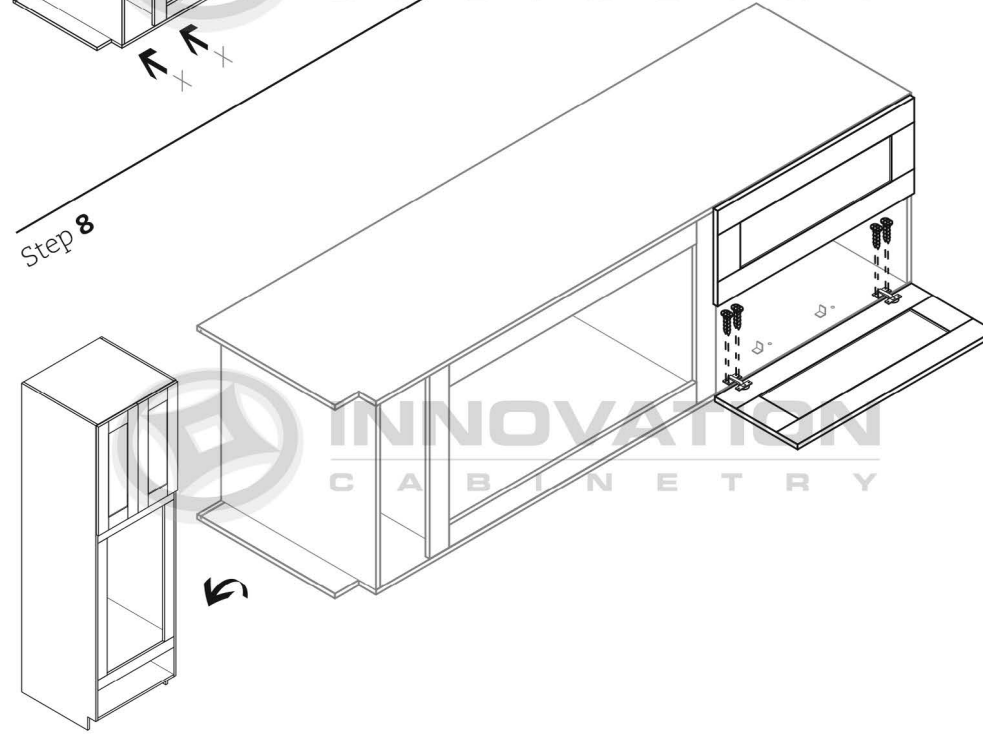
Step 6



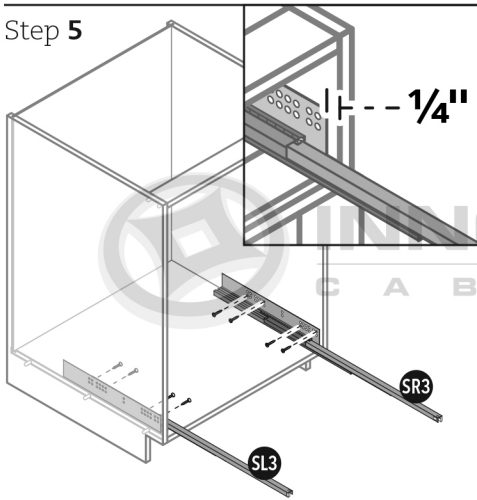
Step 7



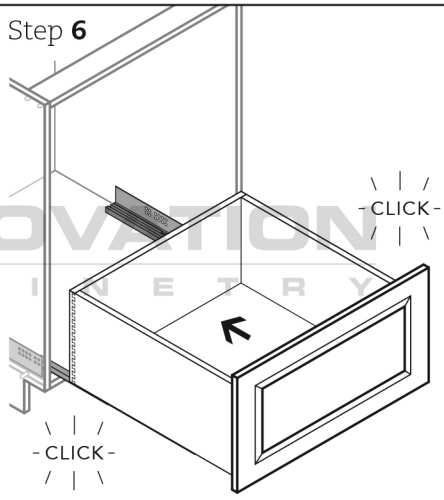
Step 8



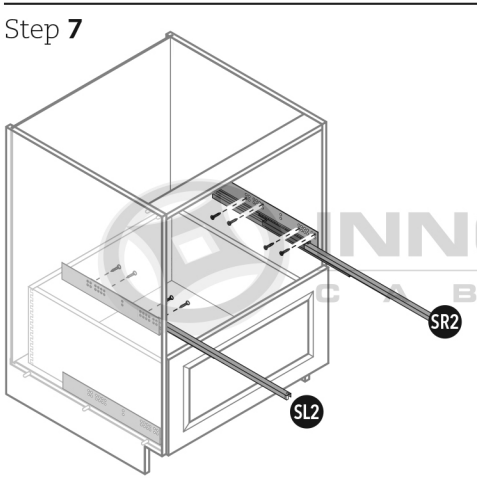
Step 5



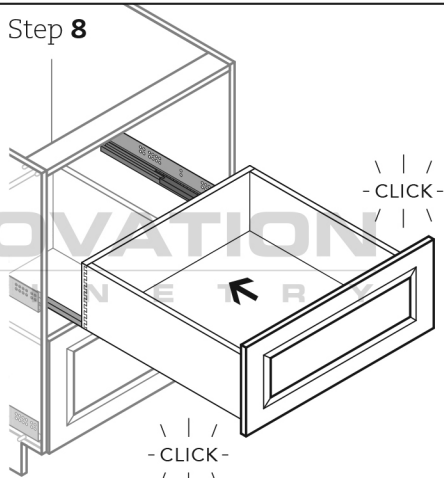
Step 6



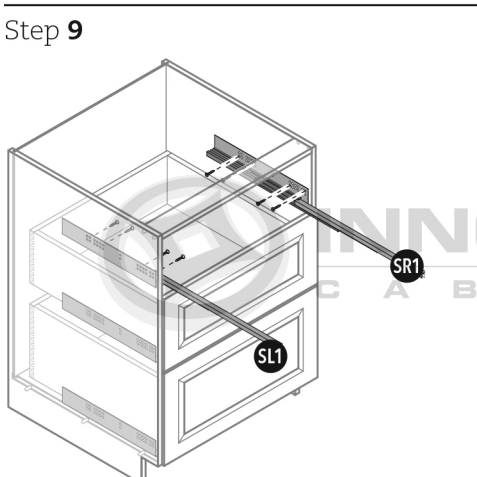
Step 7



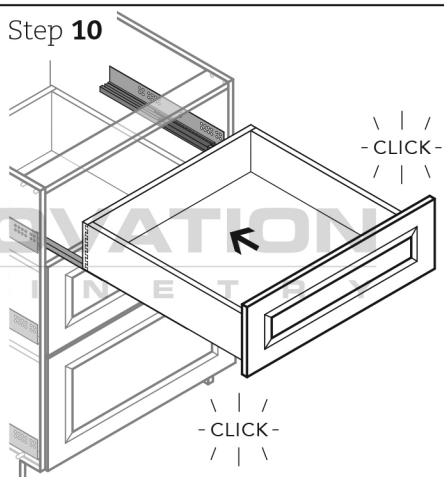
Step 8



Step 9



Step 10

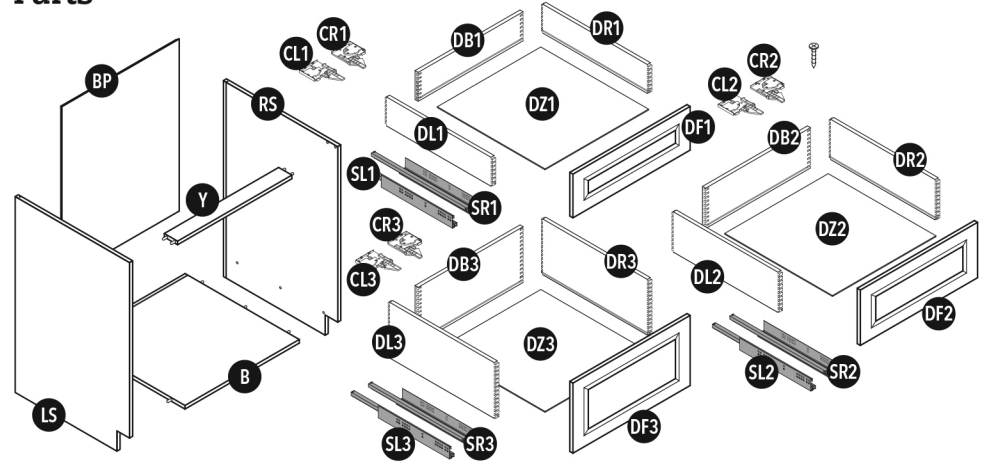


MODEL#: DB12-3, DB15-3, DB18-3, DB21-3, DB24-3, DB27-3, DB30-3, DB33-3, DB36-3

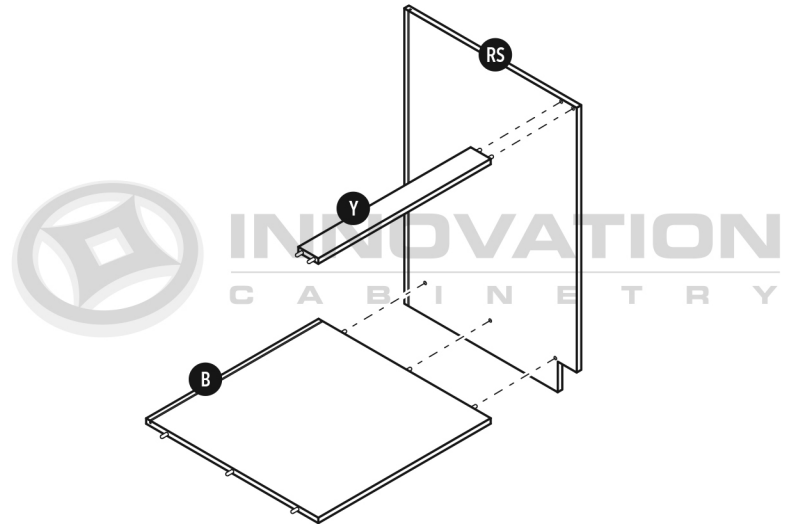
Drawer Base Cabinet

with Deluxe All Wood Box

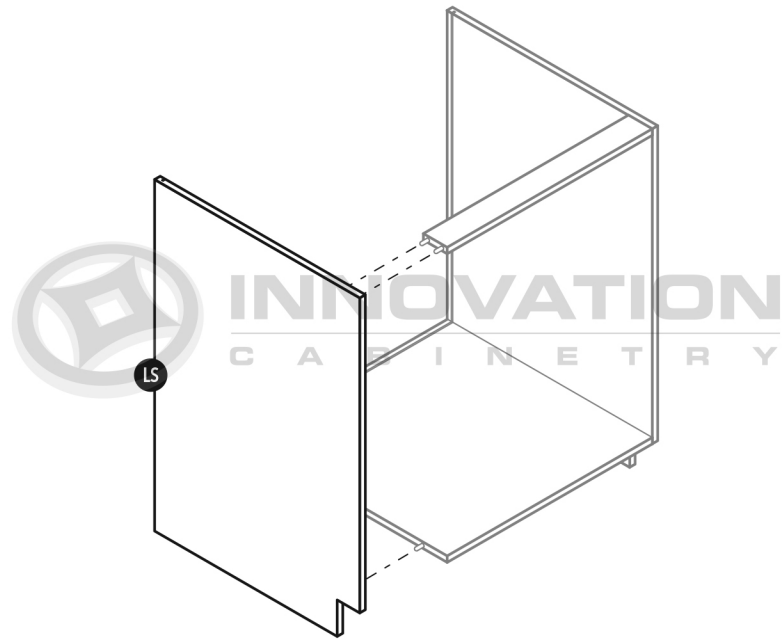
Parts



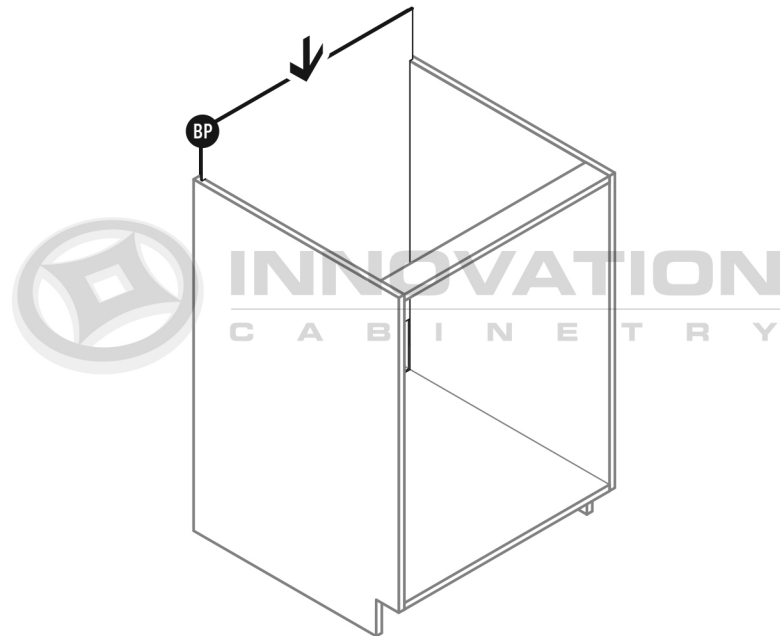
Step 1



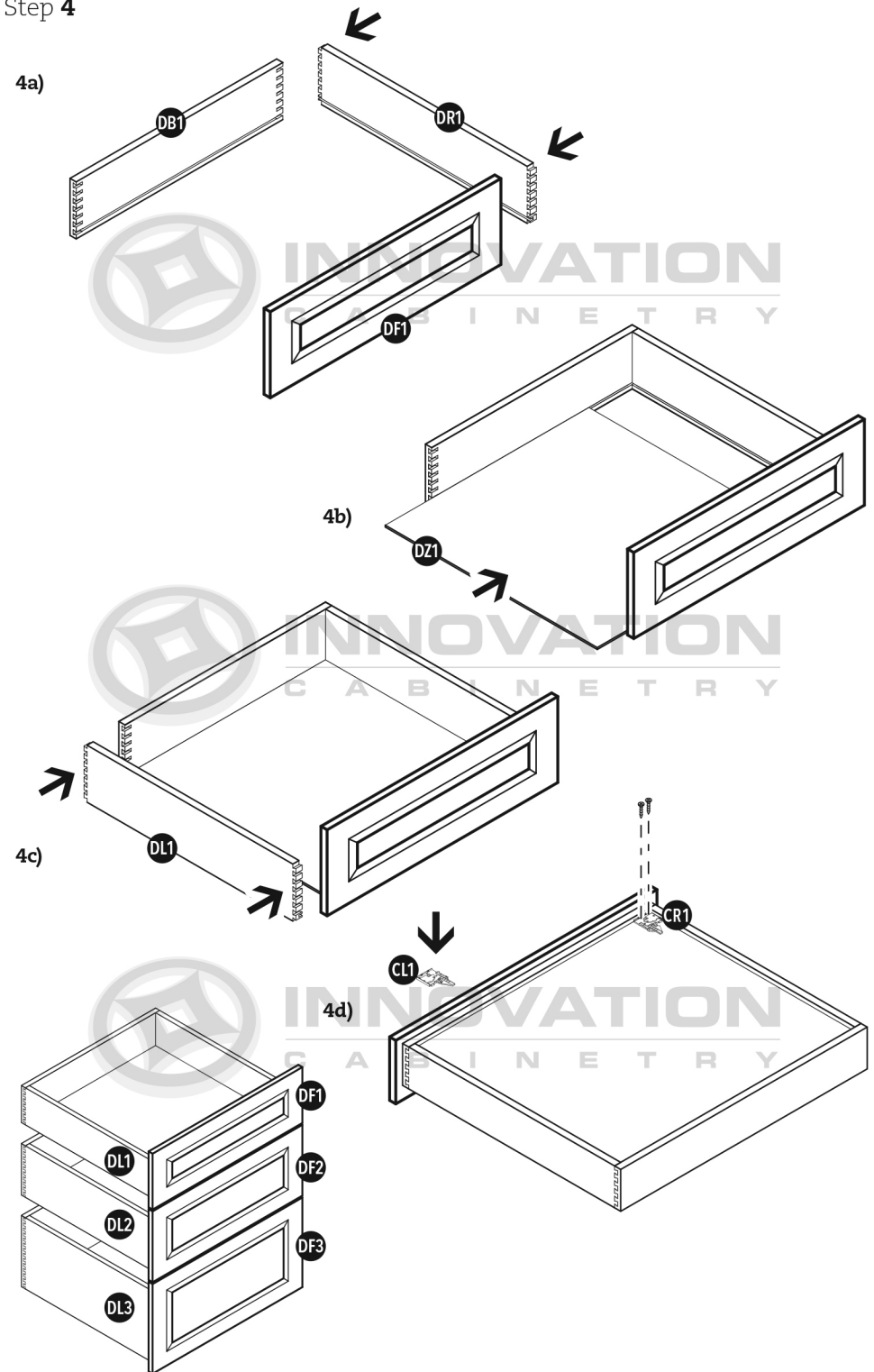
Step 2



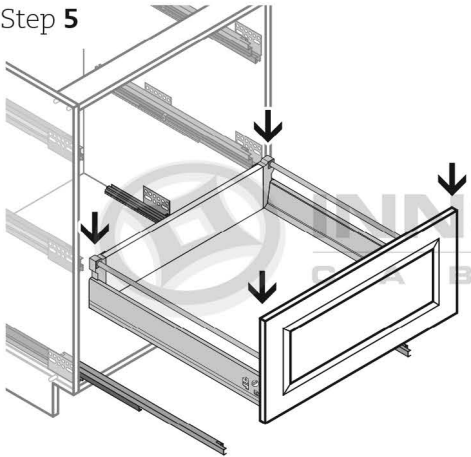
Step 3



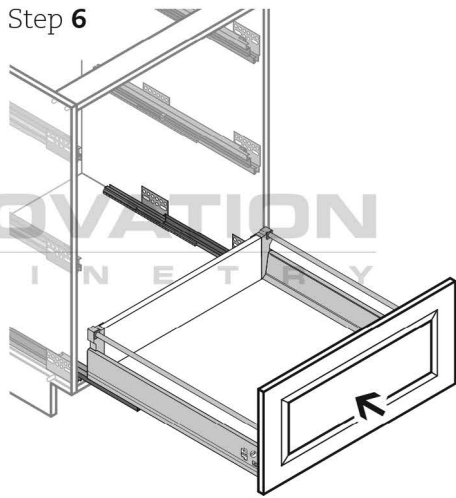
Step 4



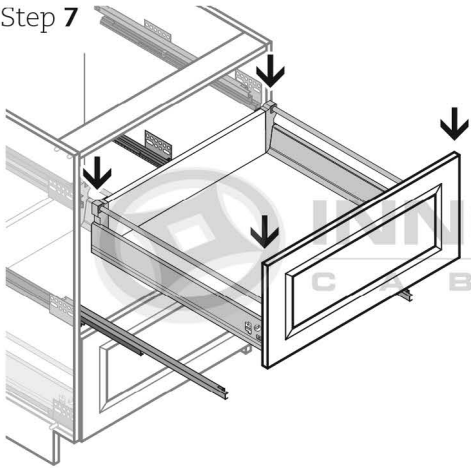
Step 5



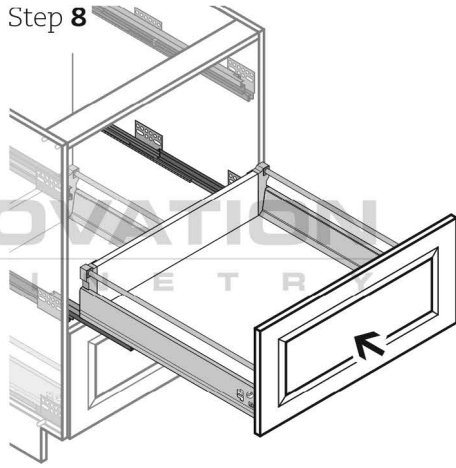
Step 6



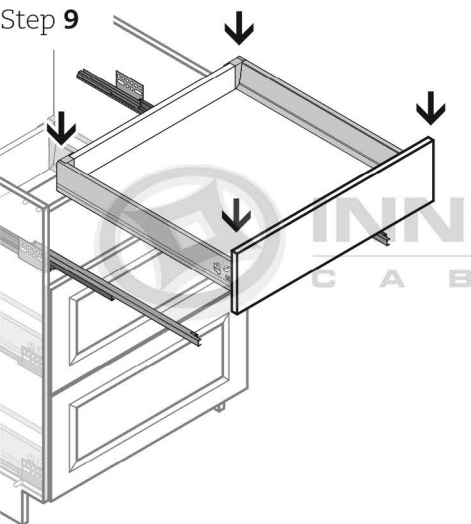
Step 7



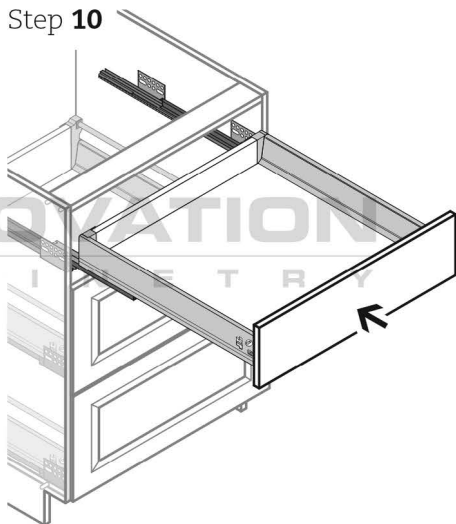
Step 8



Step 9



Step 10

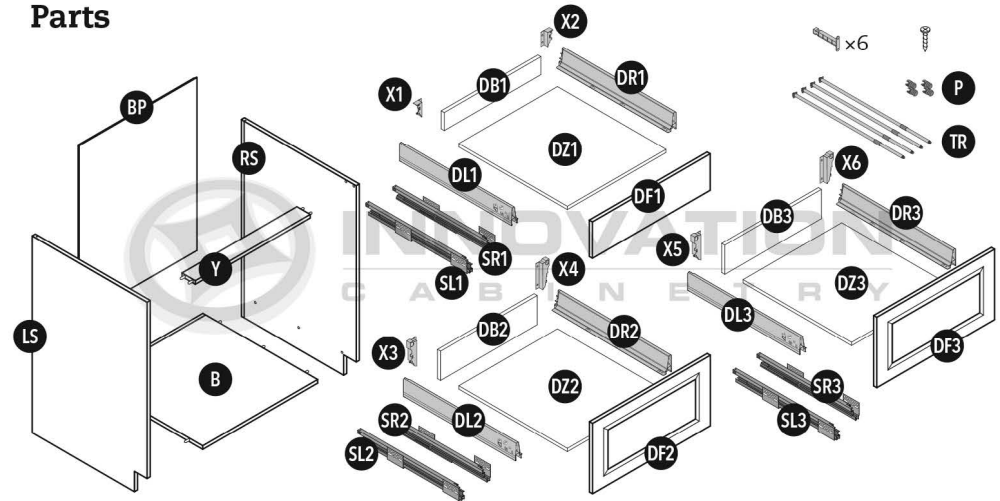


MODEL#: DB12-3, DB15-3, DB18-3, DB21-3, DB24-3, DB27-3, DB30-3, DB33-3, DB36-3

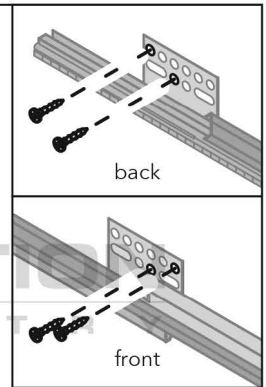
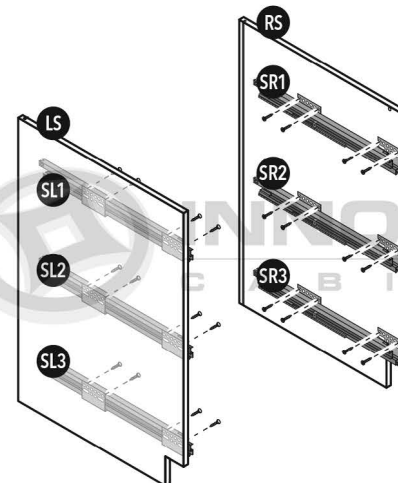
Drawer Base Cabinet

with Luxury Metal Box

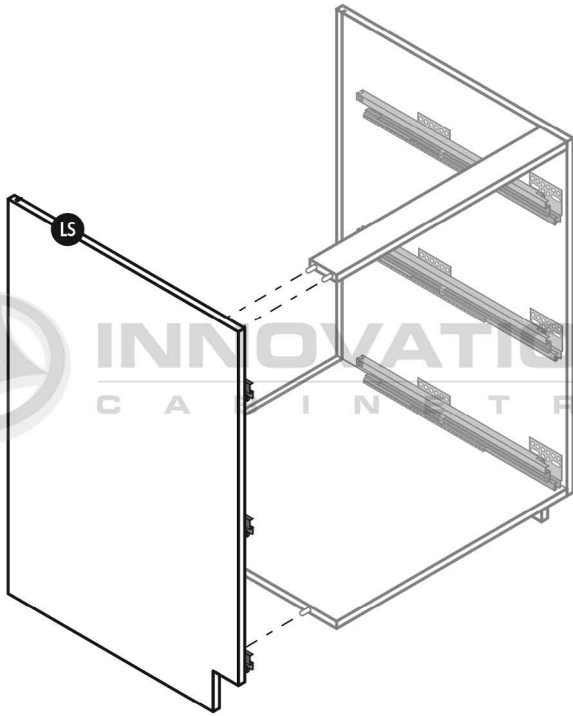
Parts



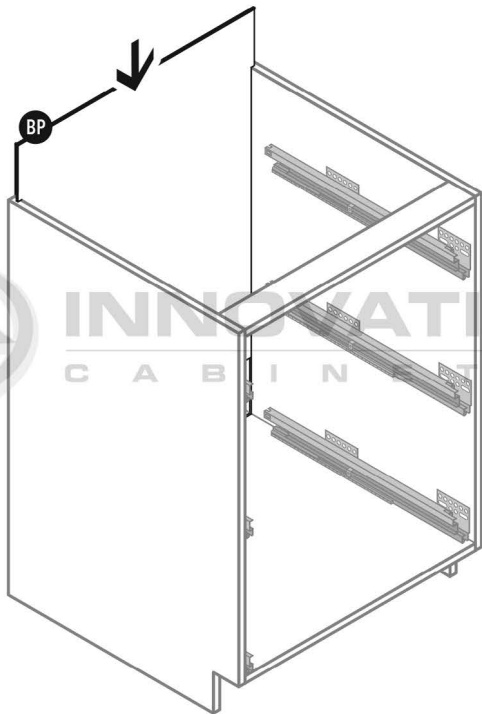
Step 1



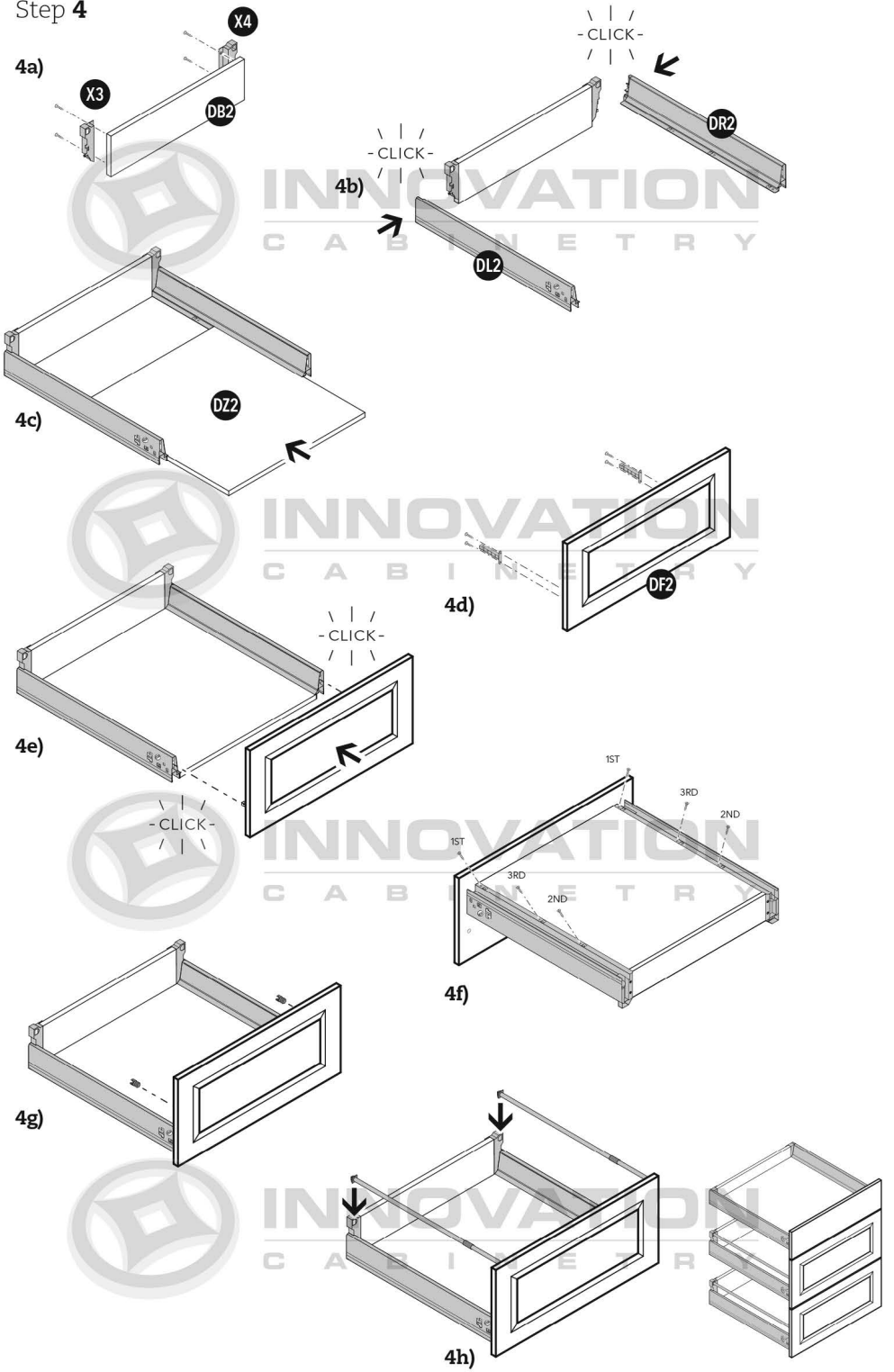
Step 2



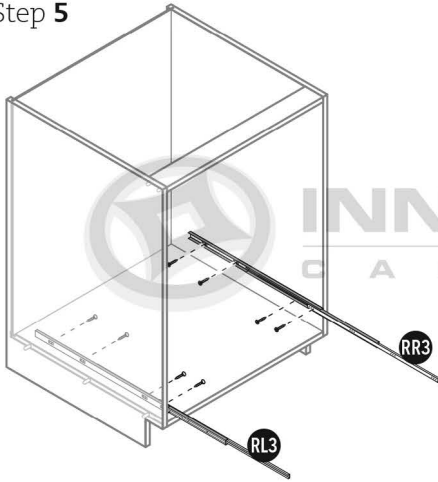
Step 3



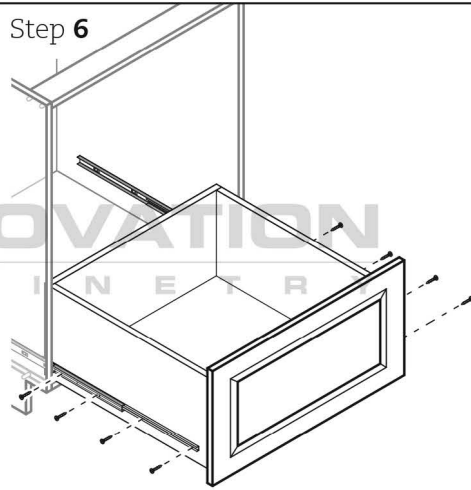
Step 4



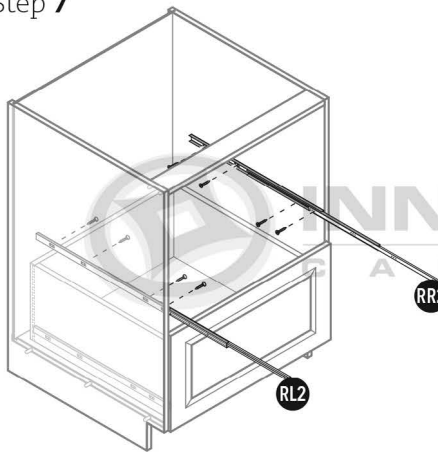
Step 5



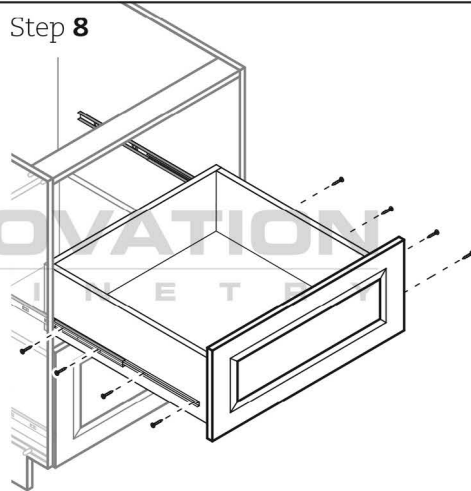
Step 6



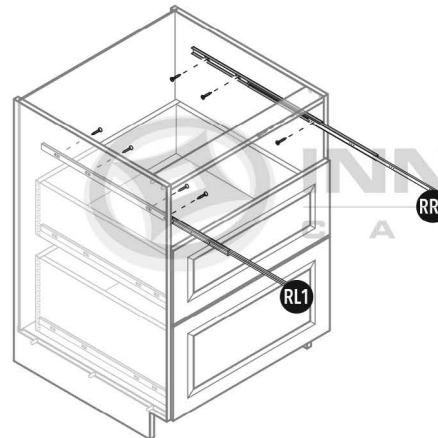
Step 7



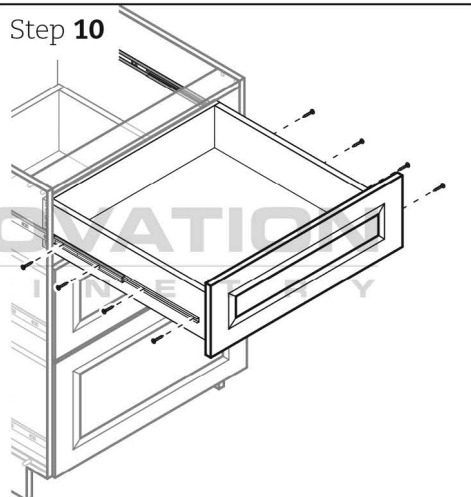
Step 8



Step 9



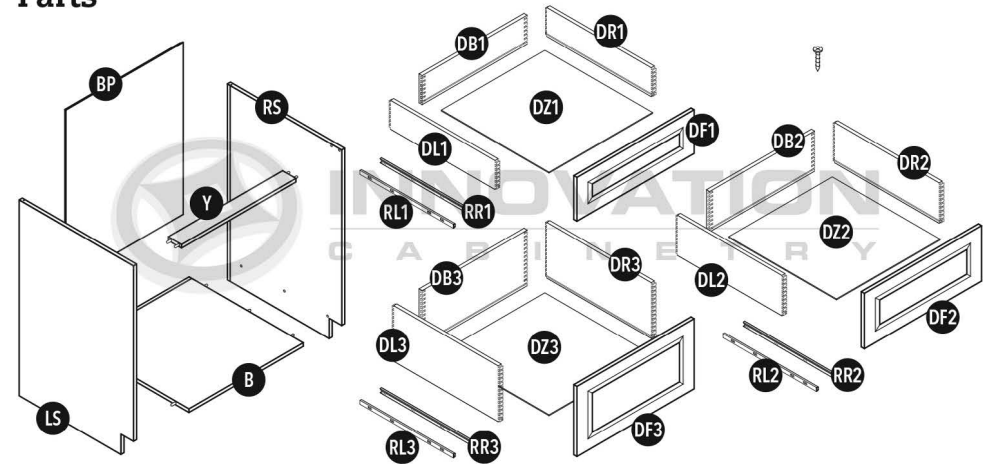
Step 10



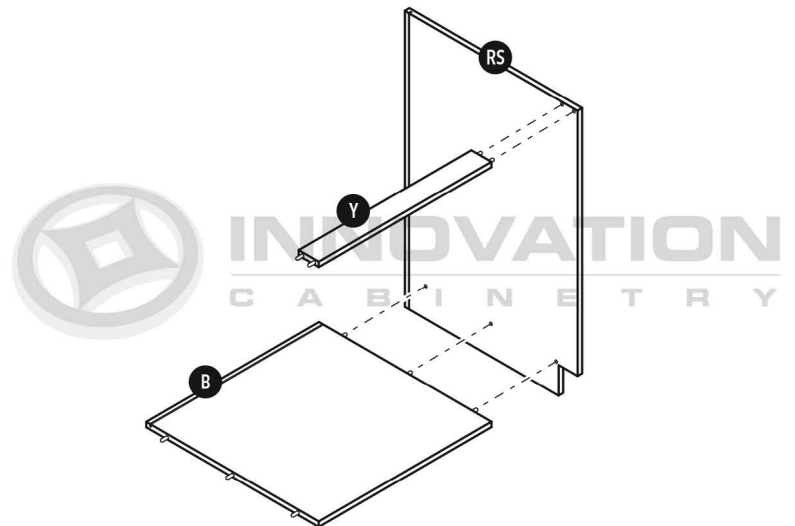
MODEL#: DB12-3, DB15-3, DB18-3, DB21-3, DB24-3, DB27-3, DB30-3, DB33-3, DB36-3

Drawer Base Cabinet

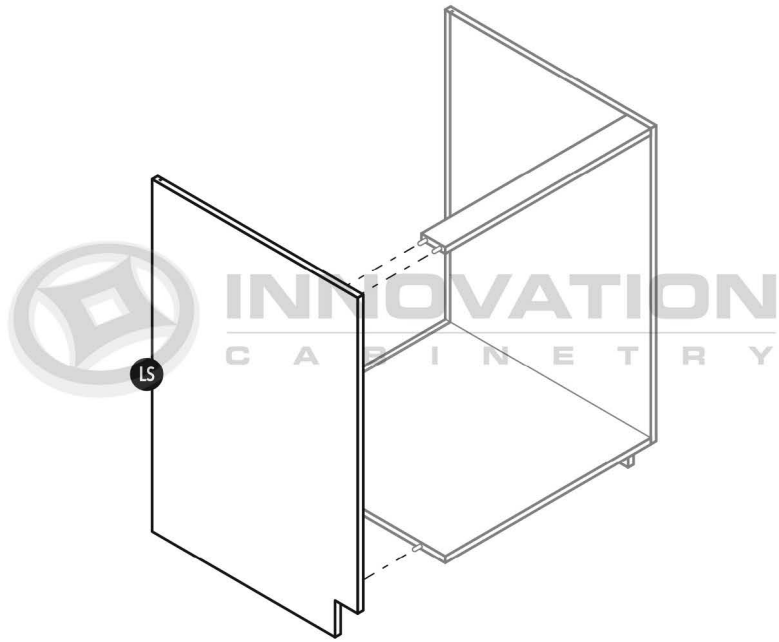
Parts



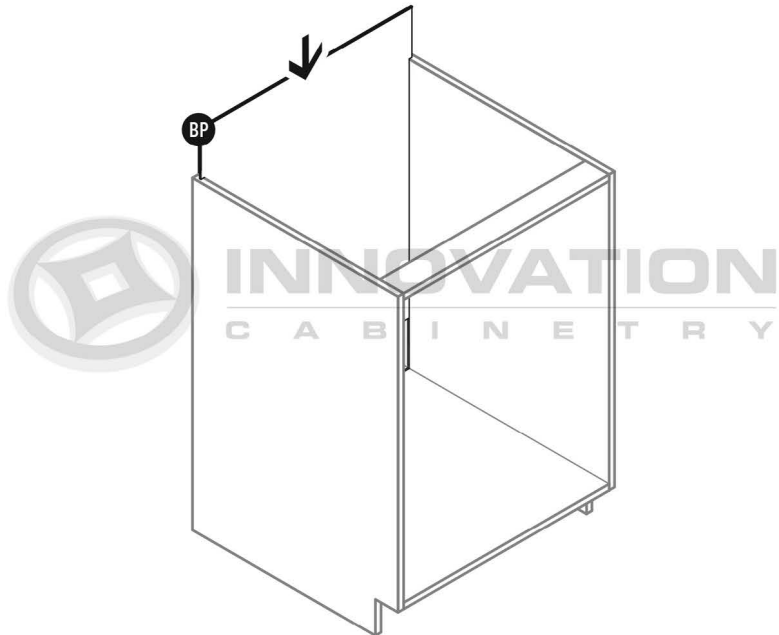
Step 1



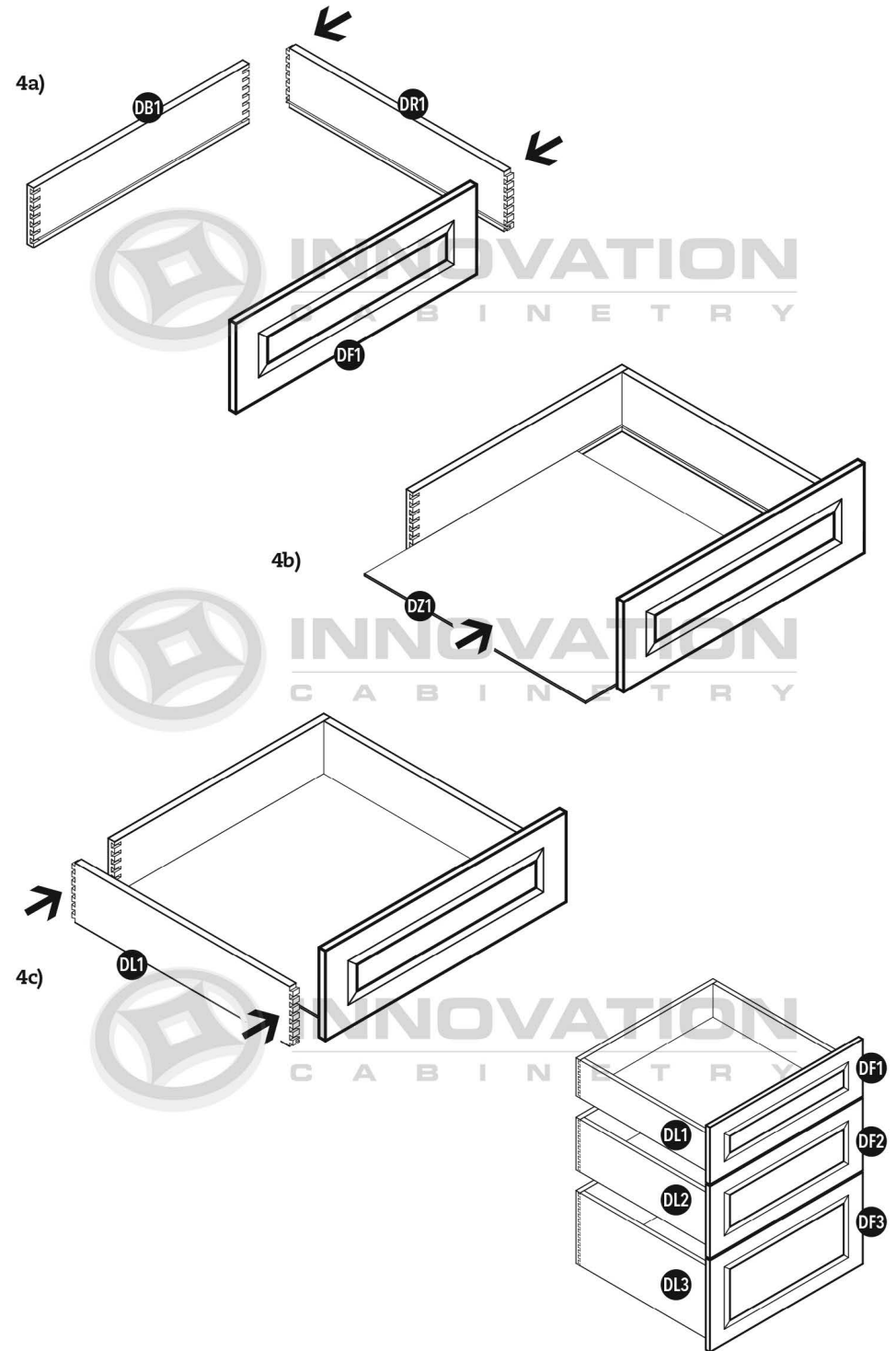
Step 2



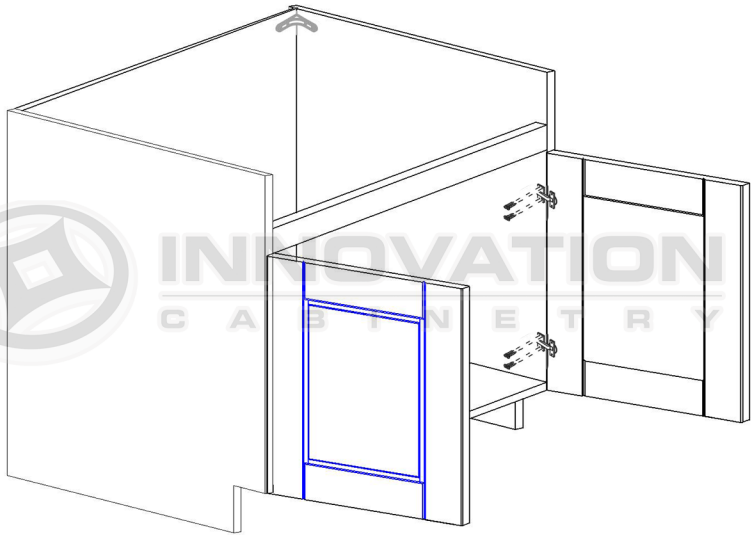
Step 3



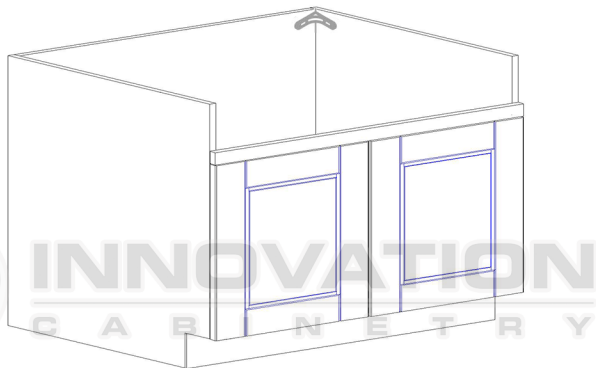
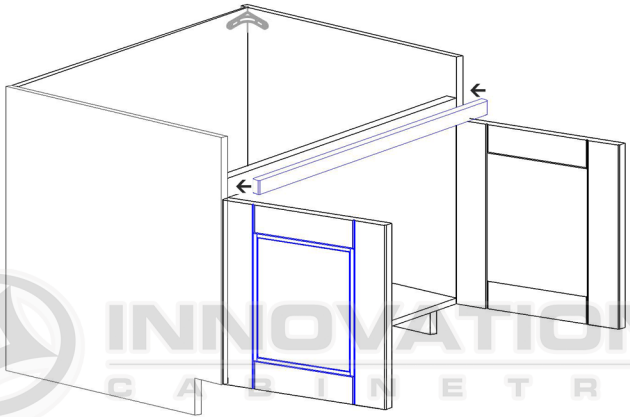
Step 4



Step 8



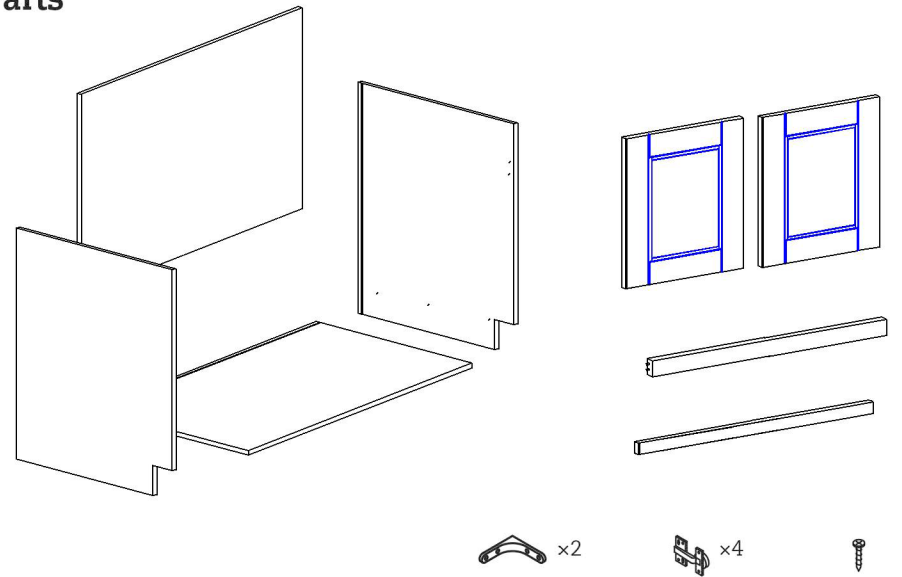
Step 9



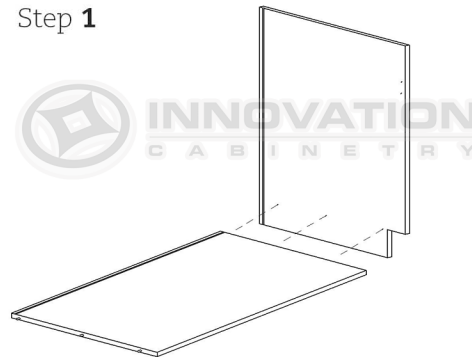
MODEL#: FSB30 FSB33 FSB36

Farm Sink Base

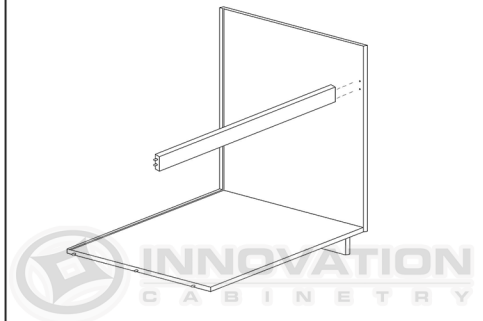
Parts



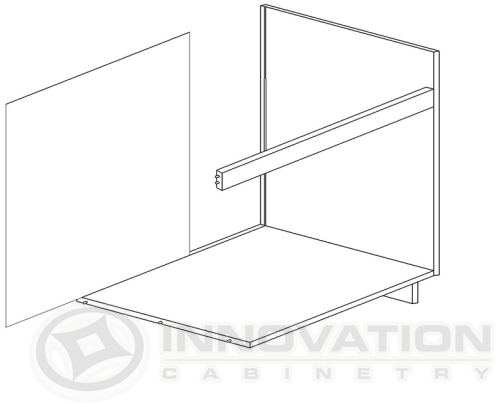
Step 1



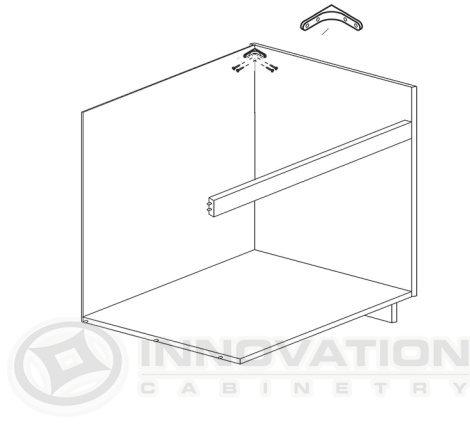
Step 2



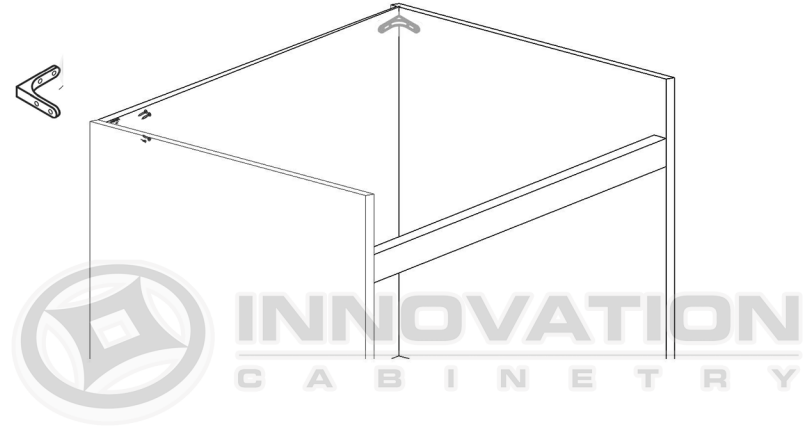
Step 3



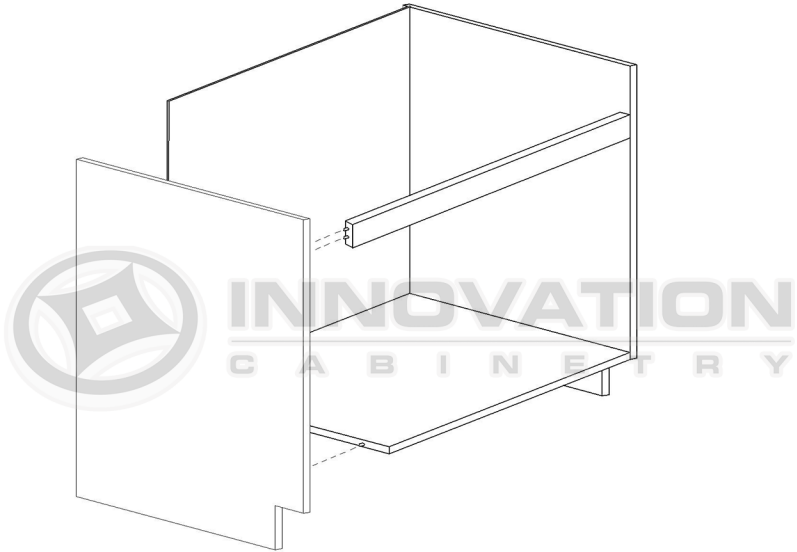
Step 4



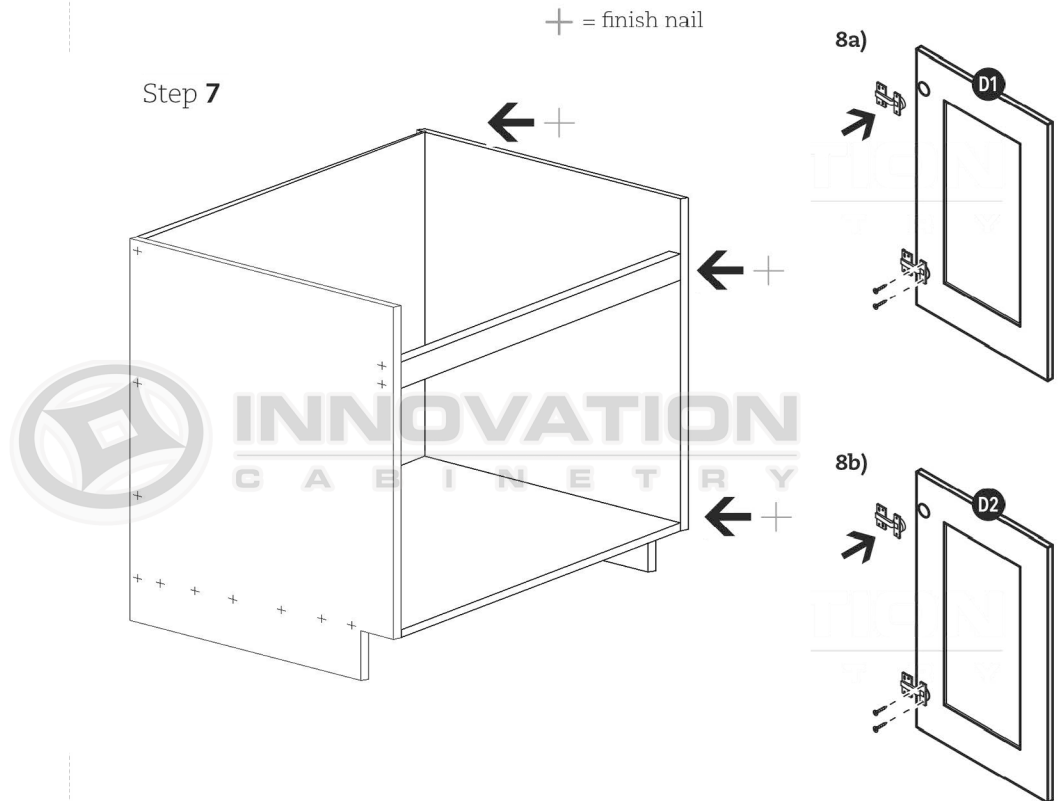
Step 6



Step 5

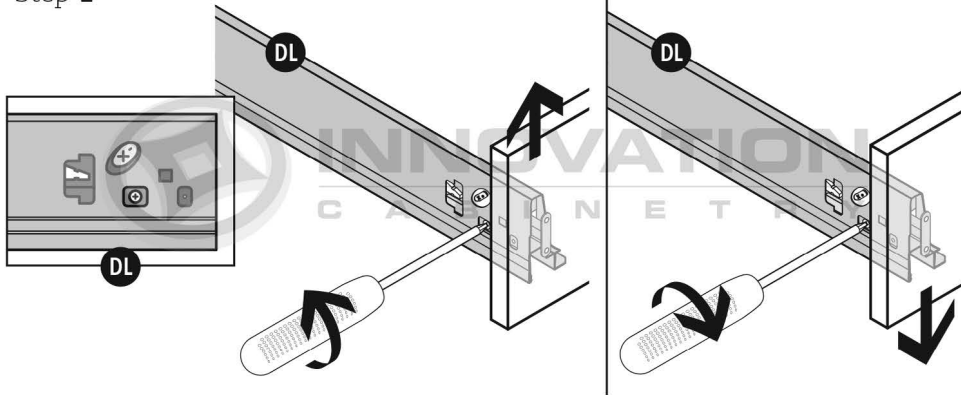


Step 7

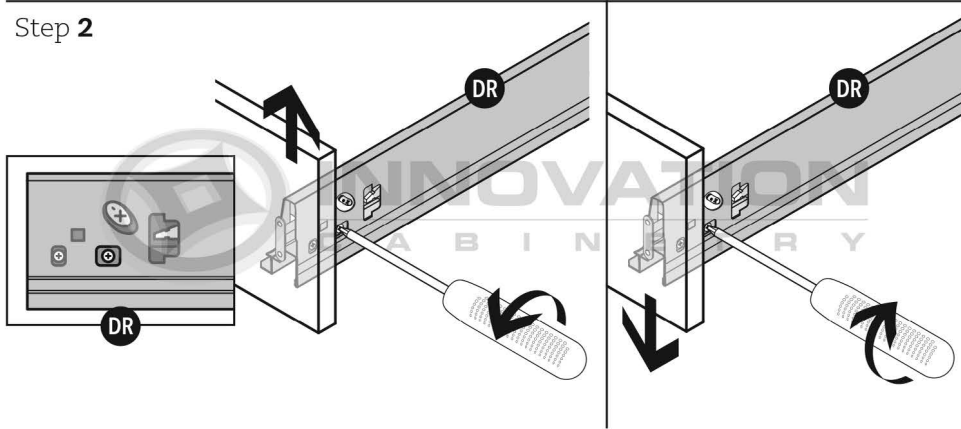


Vertical Cam Adjustment

Step 1

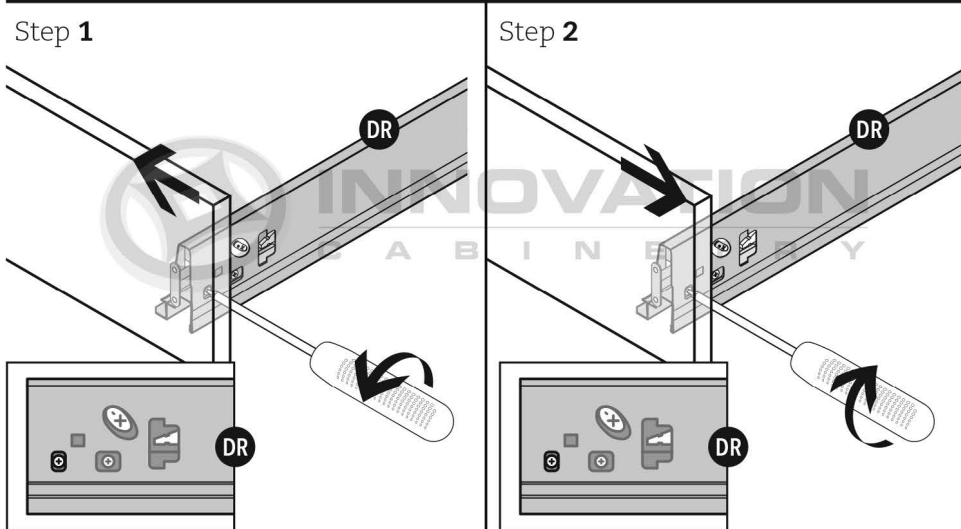


Step 2

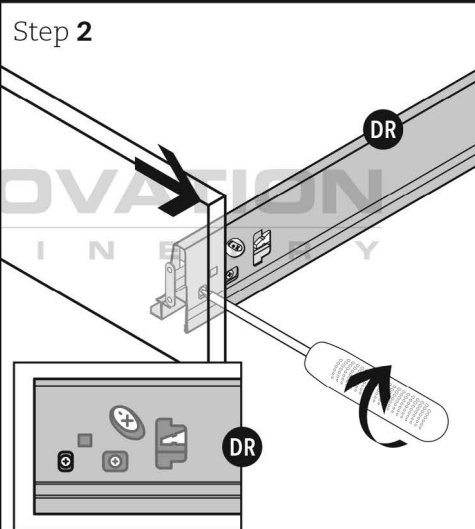


Horizontal Cam Adjustment

Step 1



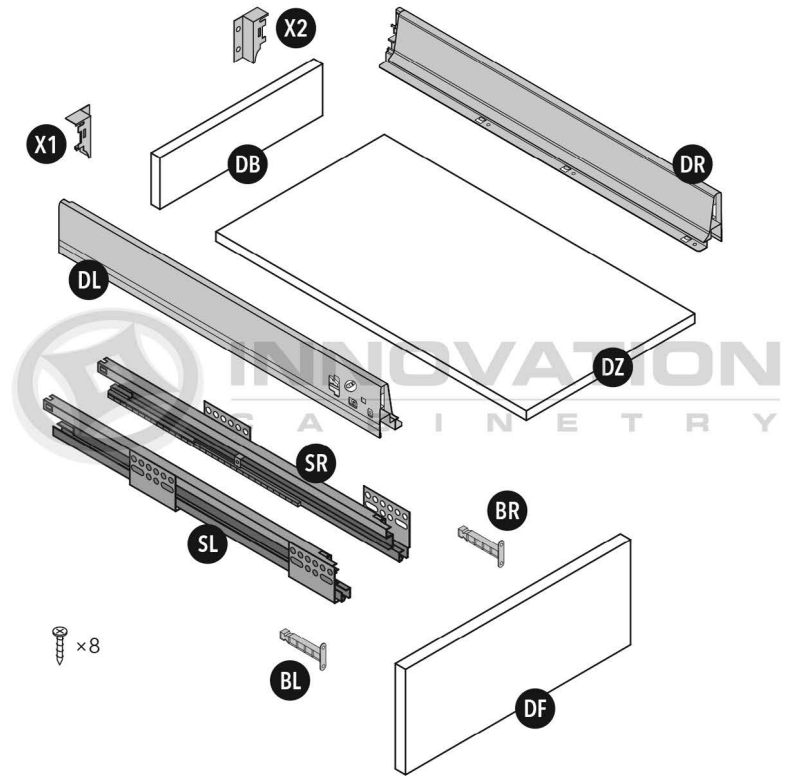
Step 2



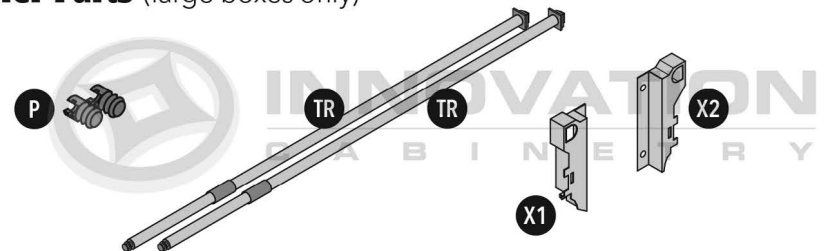
MODEL#: B01

Luxury Metal Box

Parts

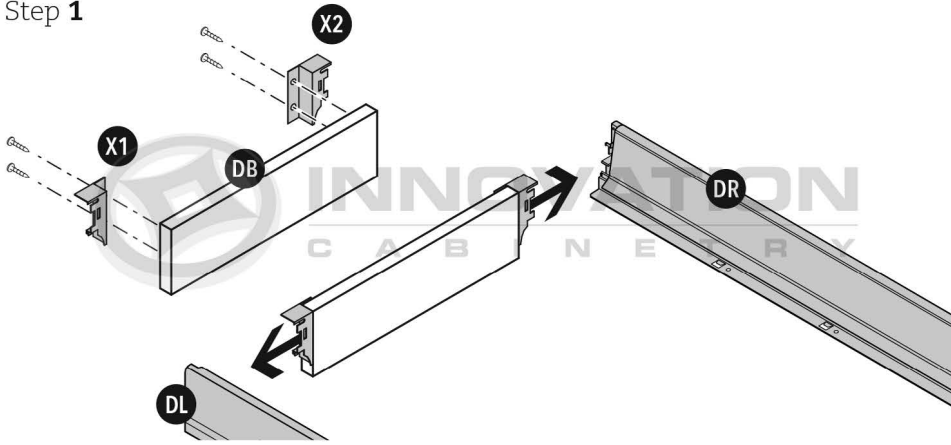


Other Parts (large boxes only)

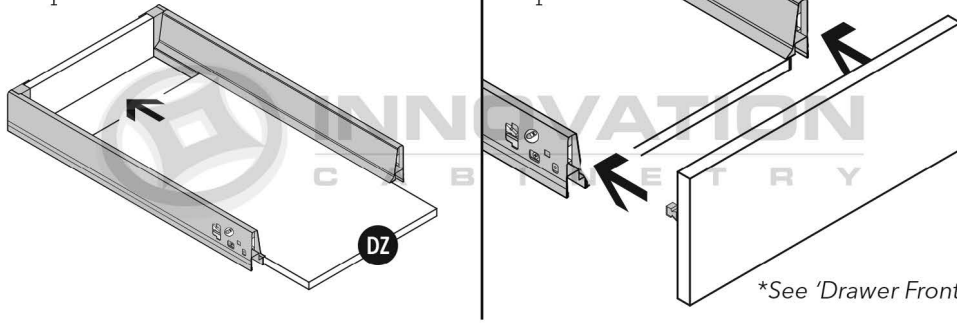


Box Assembly

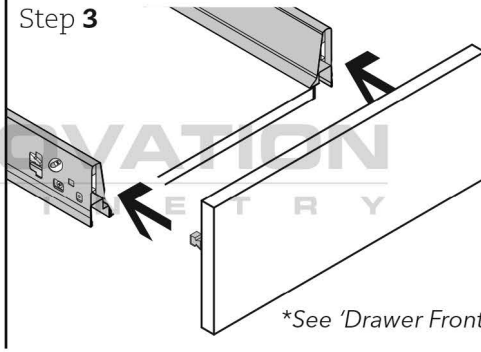
Step 1



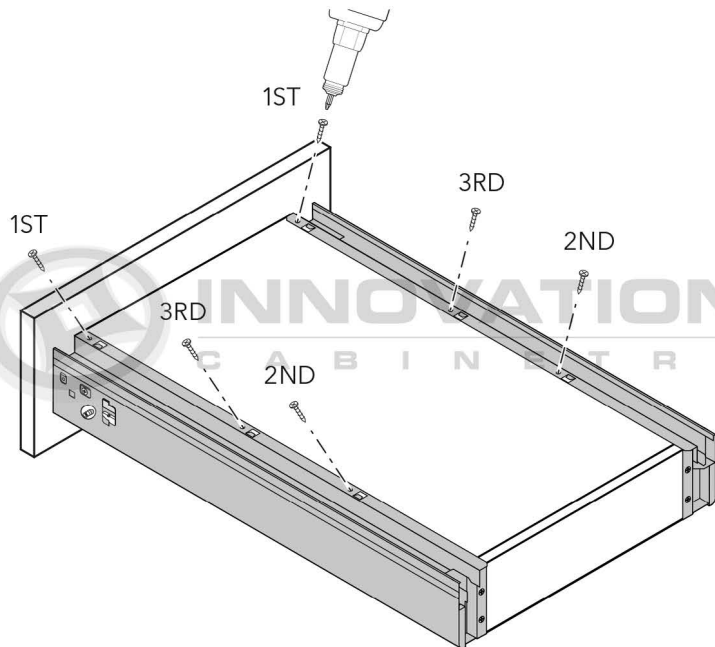
Step 2



Step 3

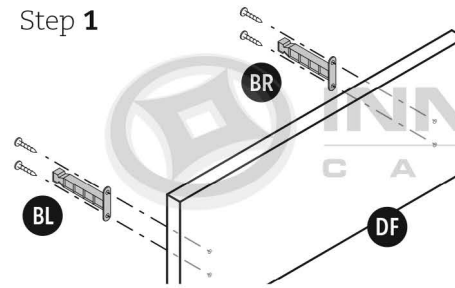


Step 4

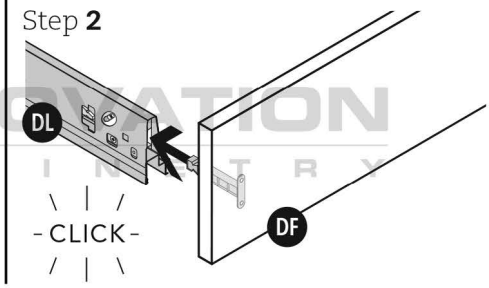


*Drawer Front - Attach & Detach

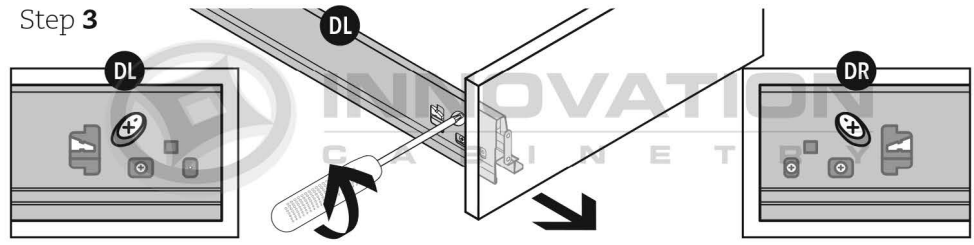
Step 1



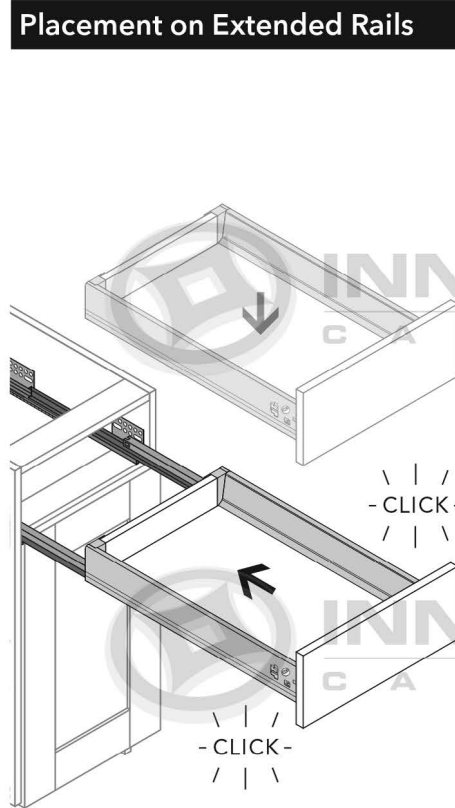
Step 2



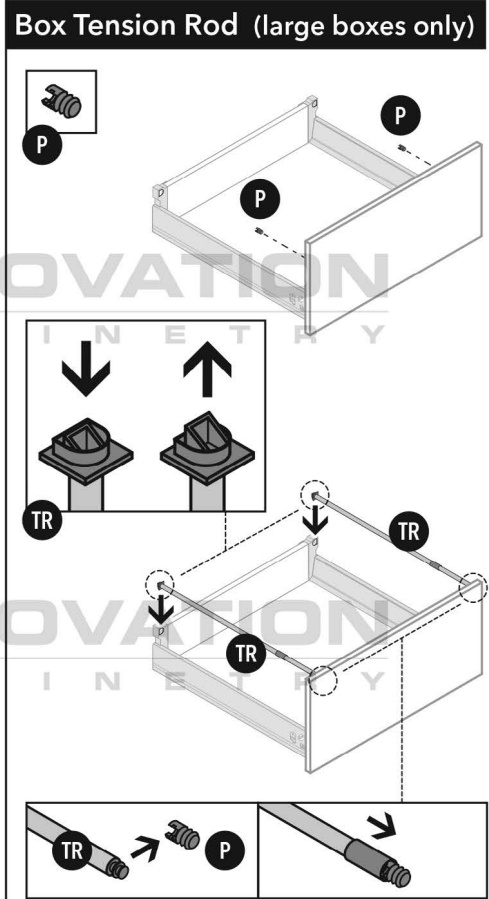
Step 3



Placement on Extended Rails

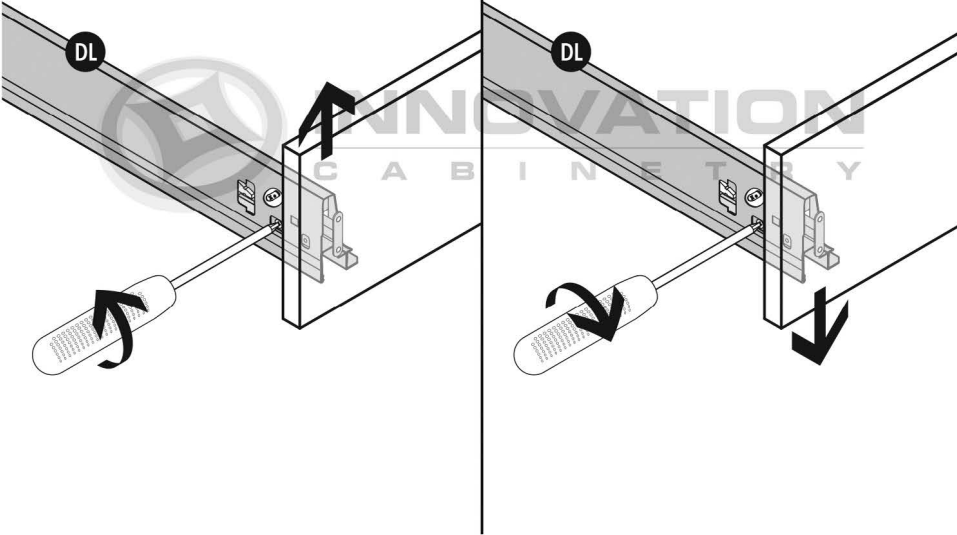


Box Tension Rod (large boxes only)

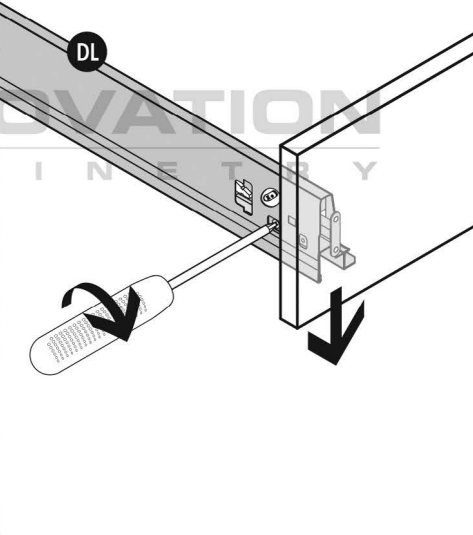


Vertical Cam Adjustment

Step 1

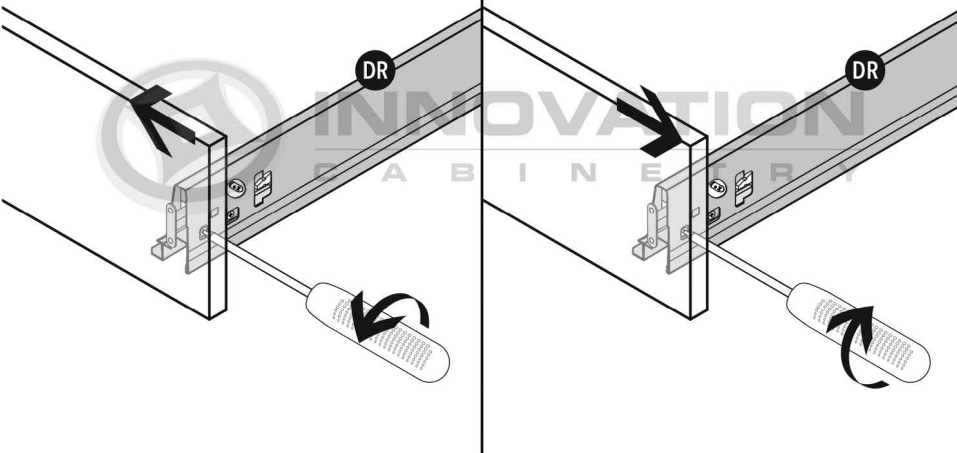


Step 2

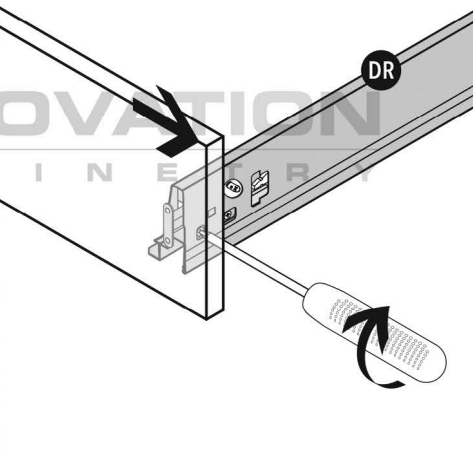


Horizontal Cam Adjustment

Step 1



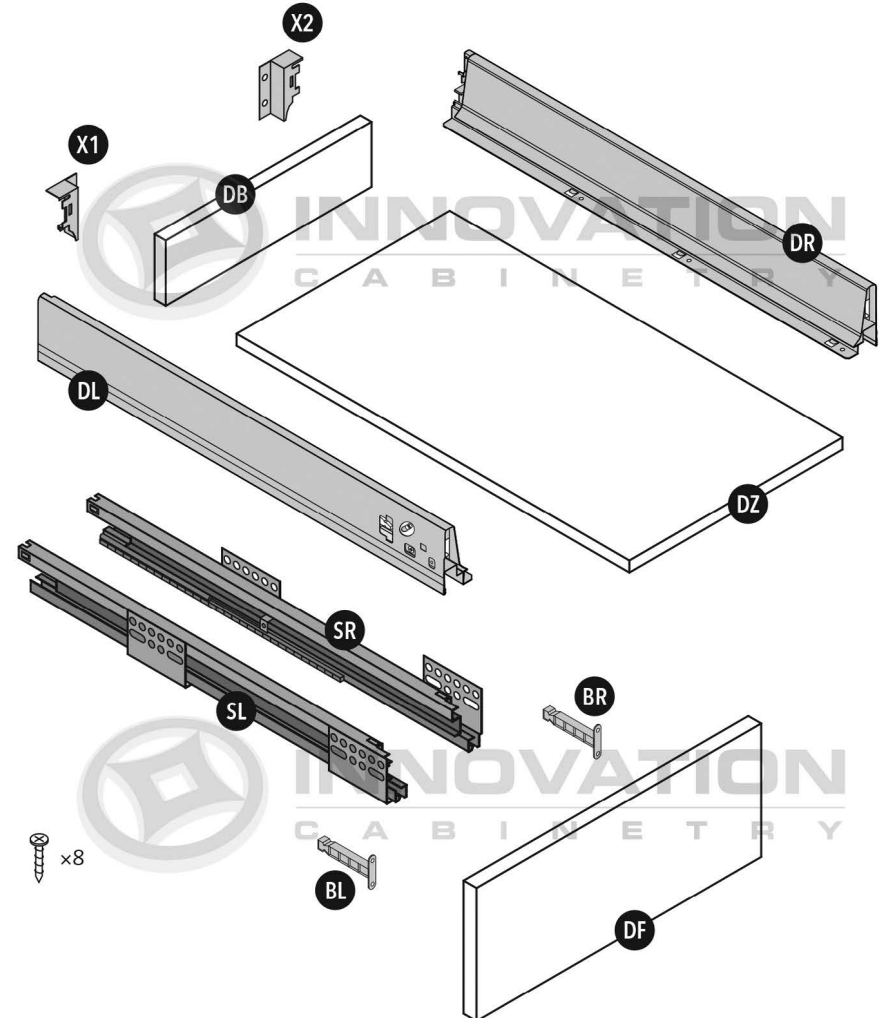
Step 2



MODEL#: B01

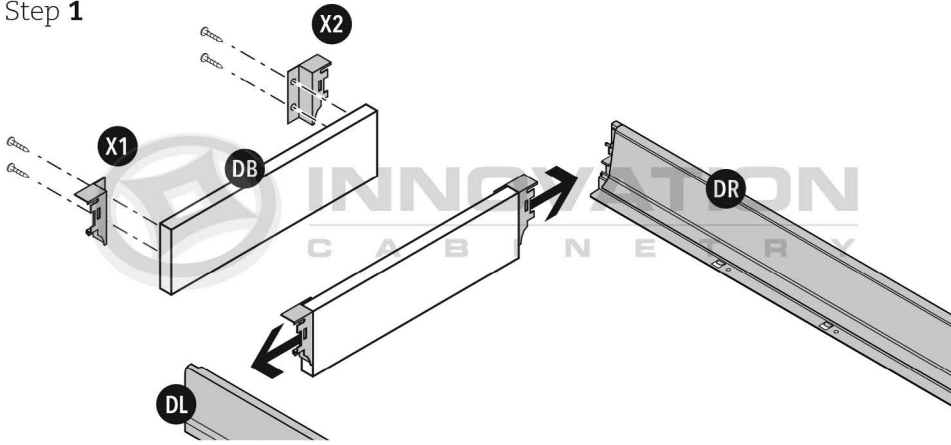
Luxury Metal Box

Parts

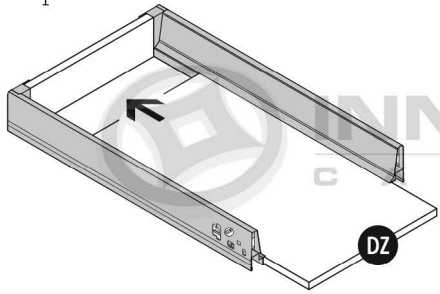


Box Assembly

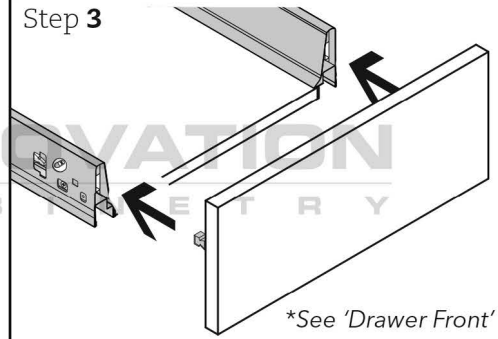
Step 1



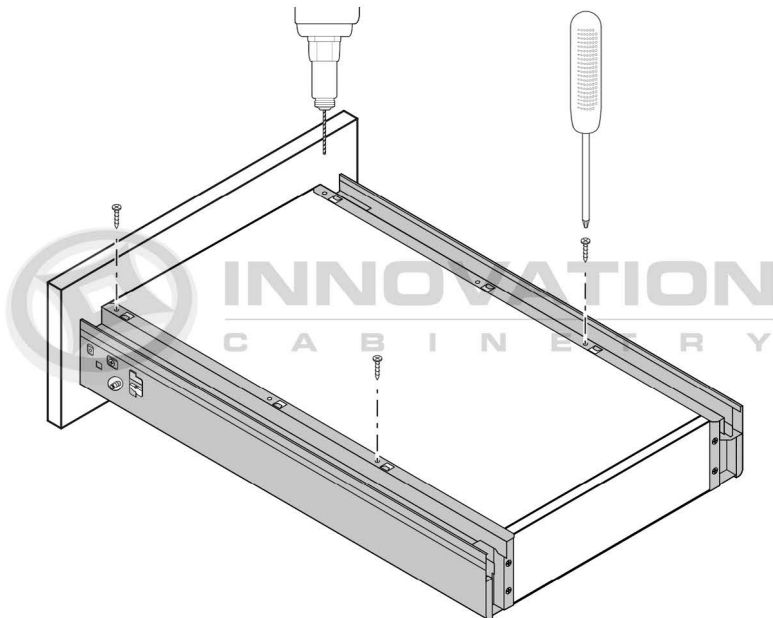
Step 2



Step 3

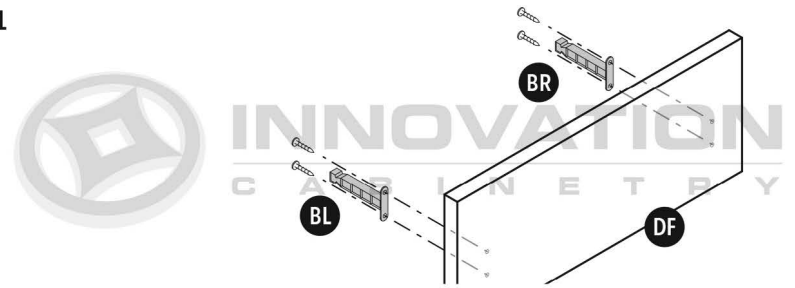


Step 4

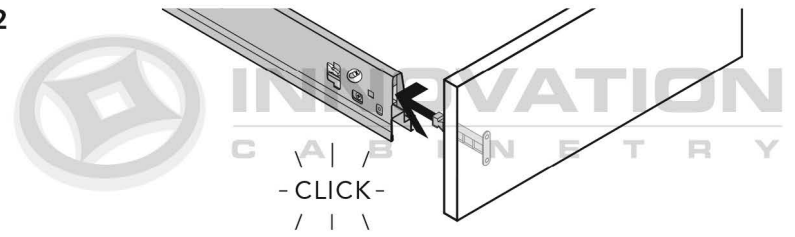


*Drawer Front—Attach & Detach

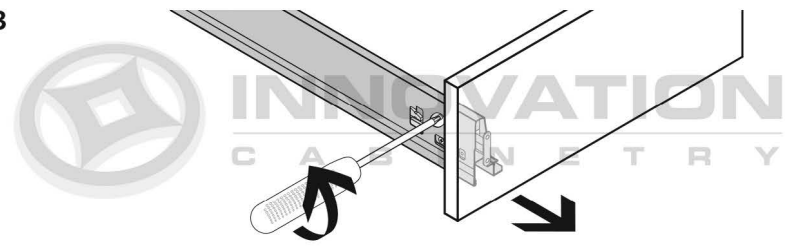
Step 1



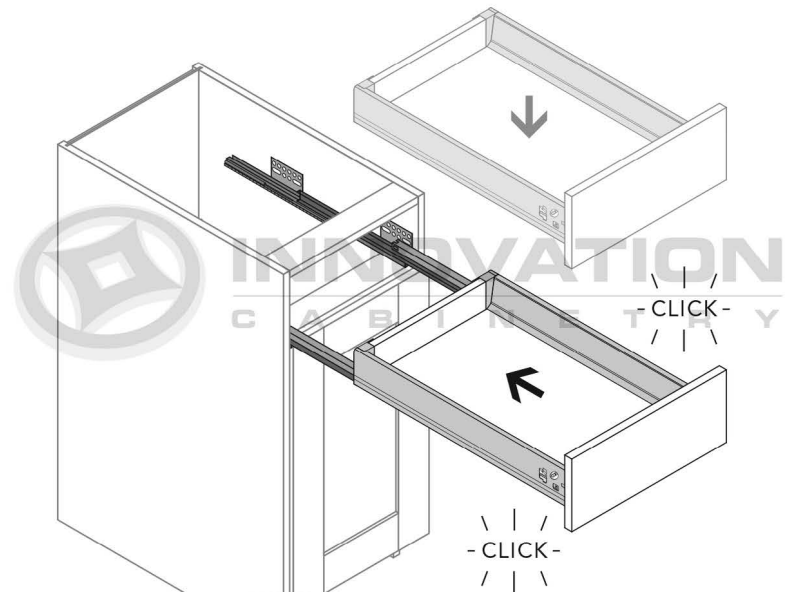
Step 2

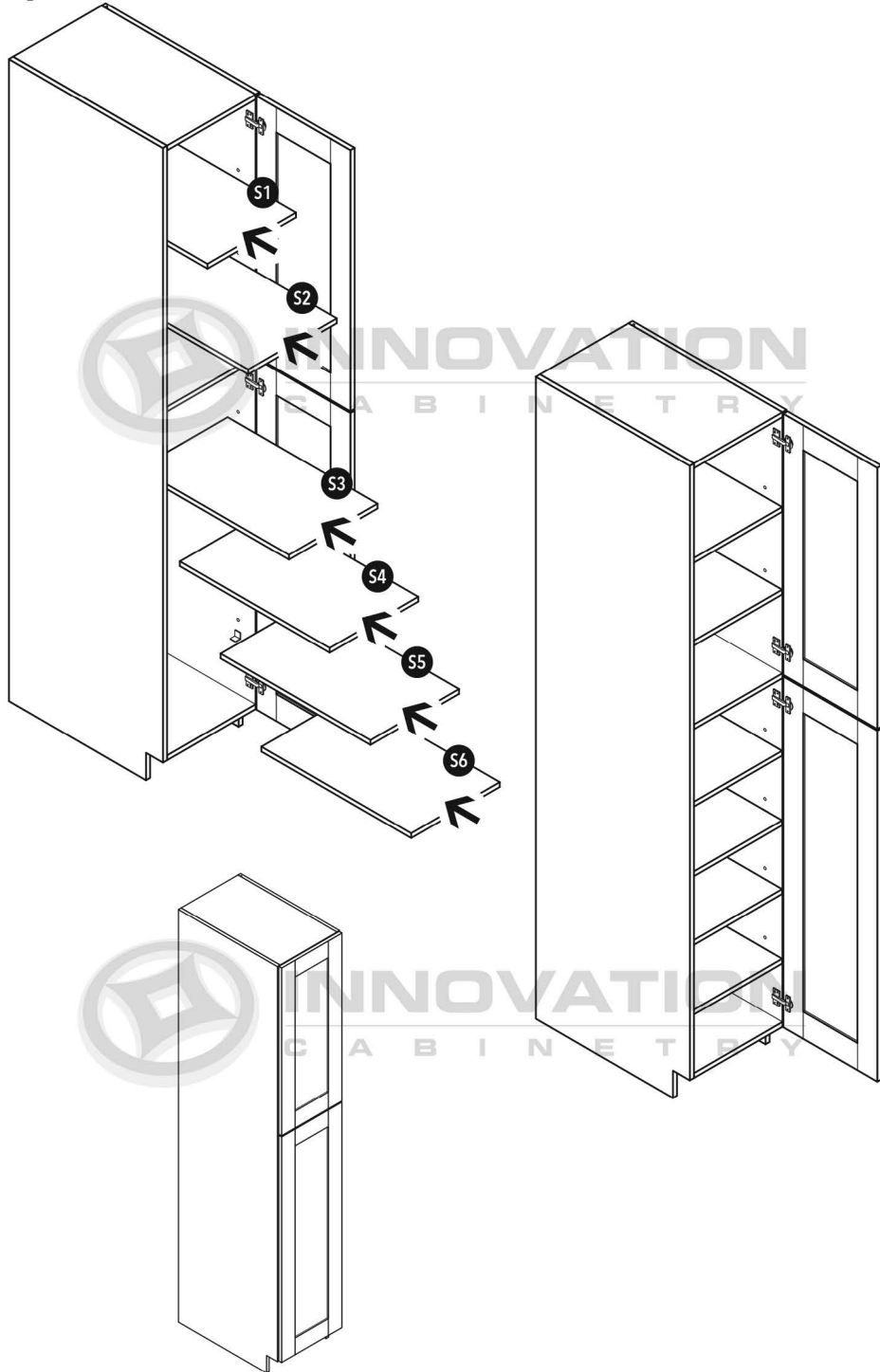


Step 3



Box Placement on Extended Rails



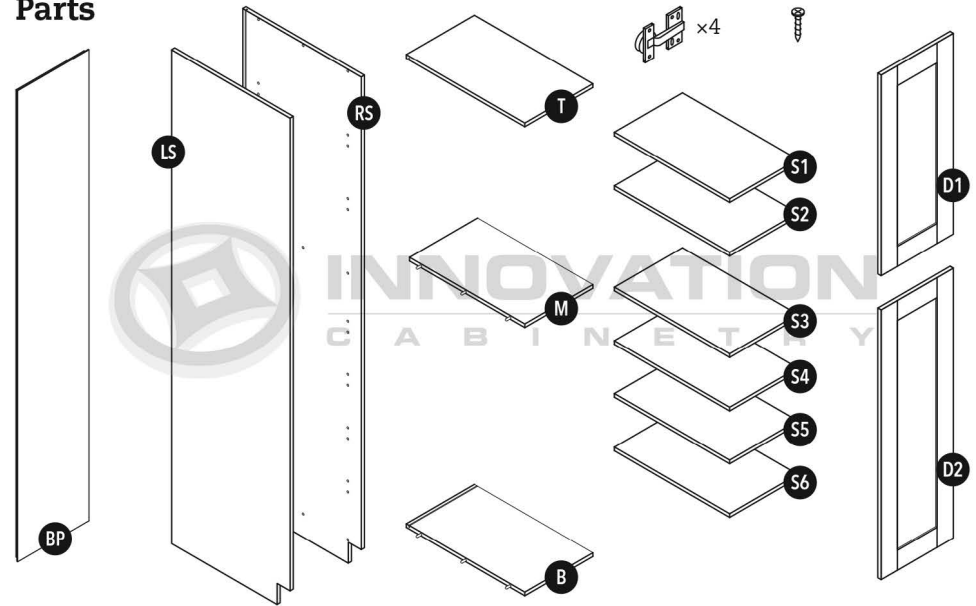


*84"H & 90"H cabinets contain (1) upper shelf, 96"H contains (2) upper shelves

MODEL#: PC1884, PC1890, PC1896

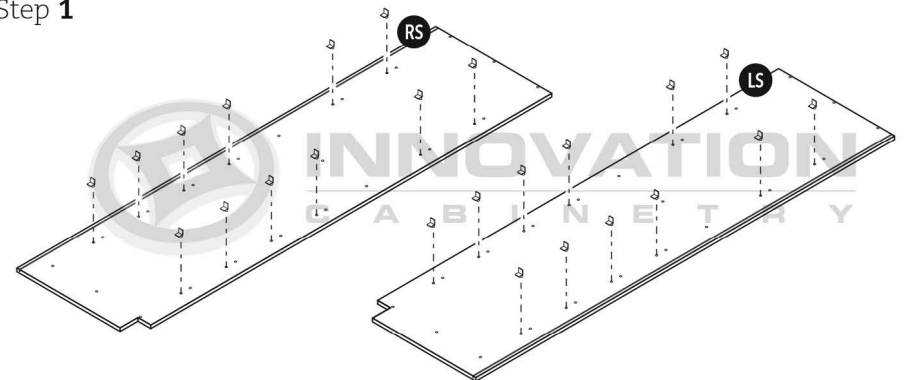
Single-door Pantry Cabinet

Parts

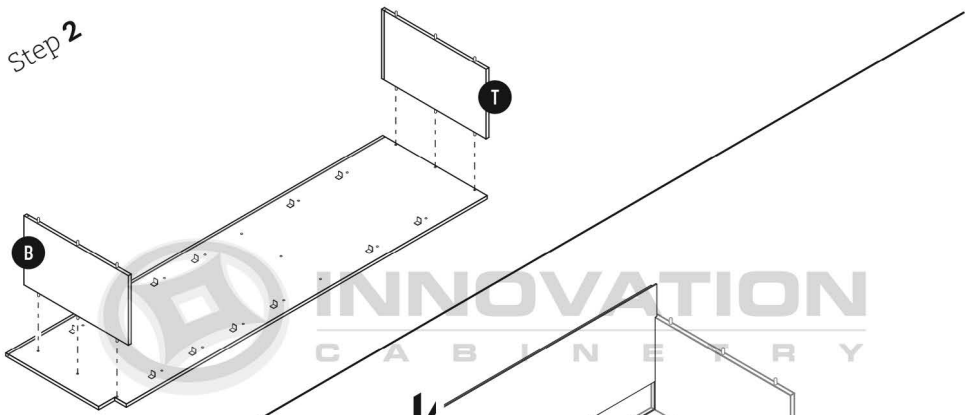


*84"H & 90"H cabinets contain (1) upper shelf, 96"H contains (2) upper shelves

Step 1



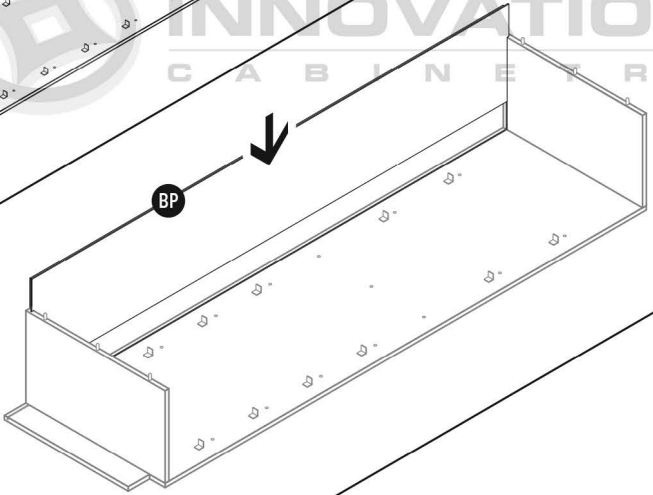
Step 2



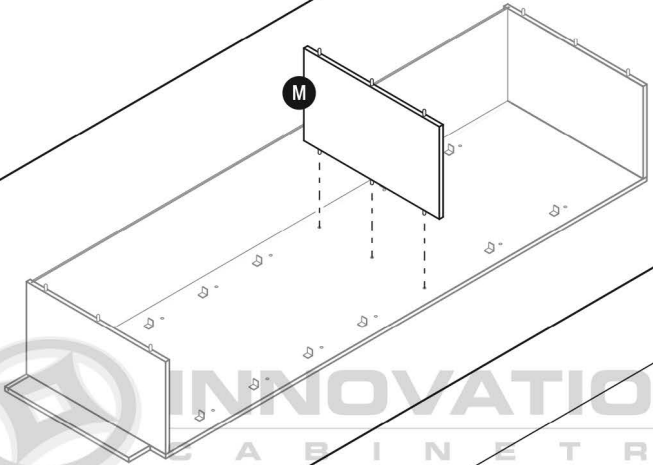
INNOVATION
CABINETS

BP

Step 3



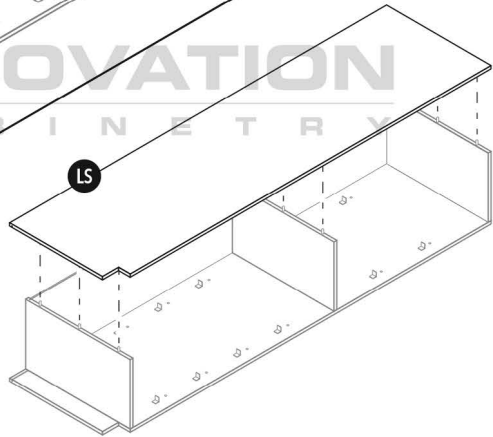
Step 4



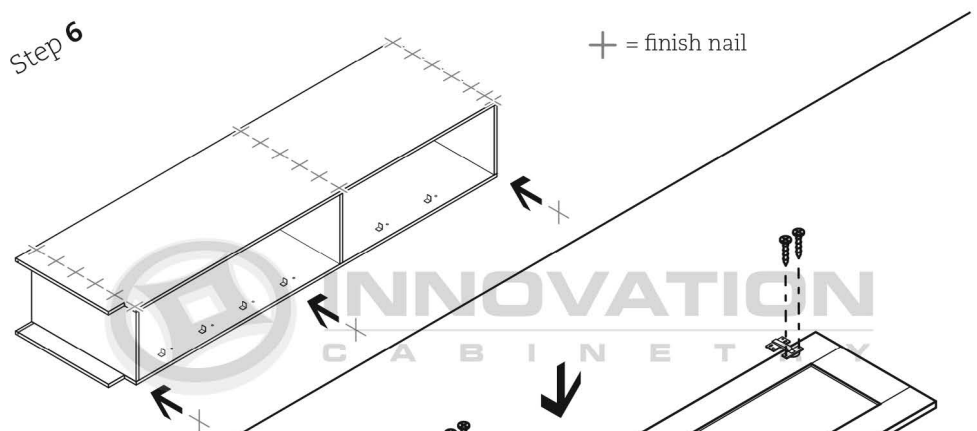
INNOVATION
CABINETS

LS

Step 5

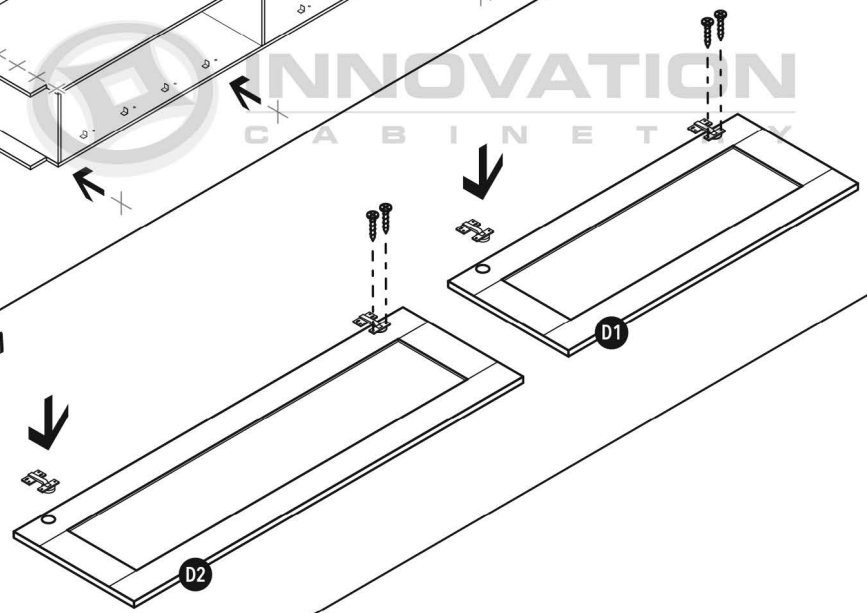


Step 6

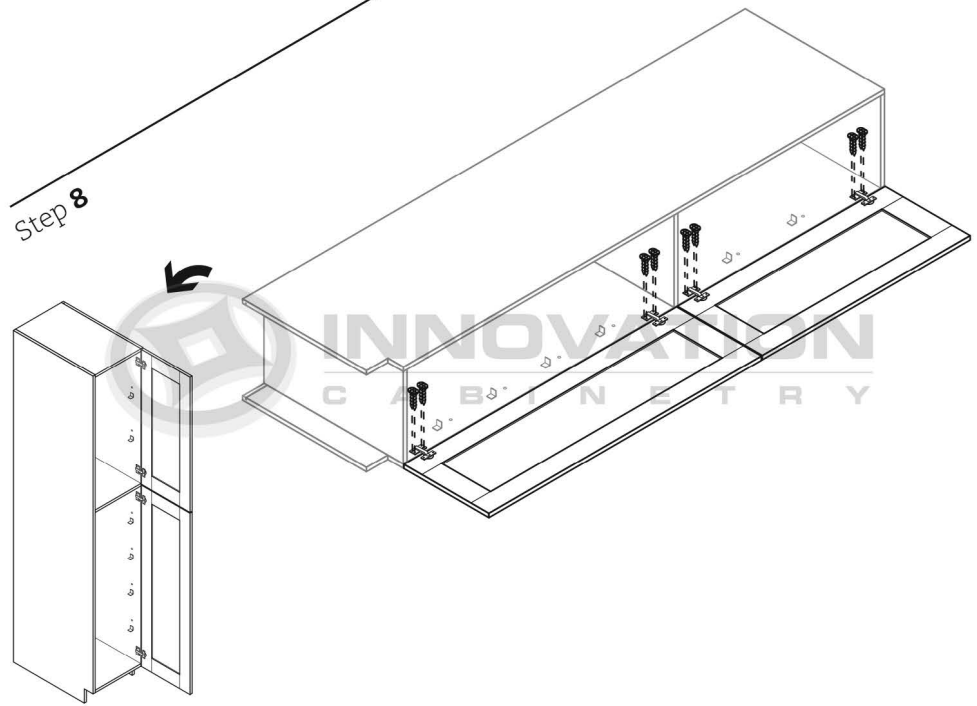


\dagger = finish nail

Step 7

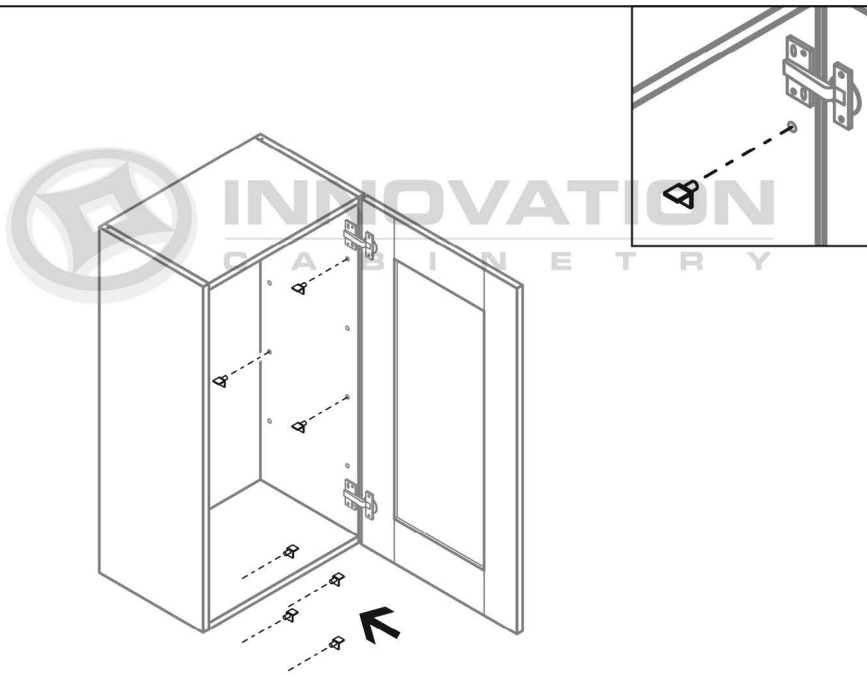


Step 8

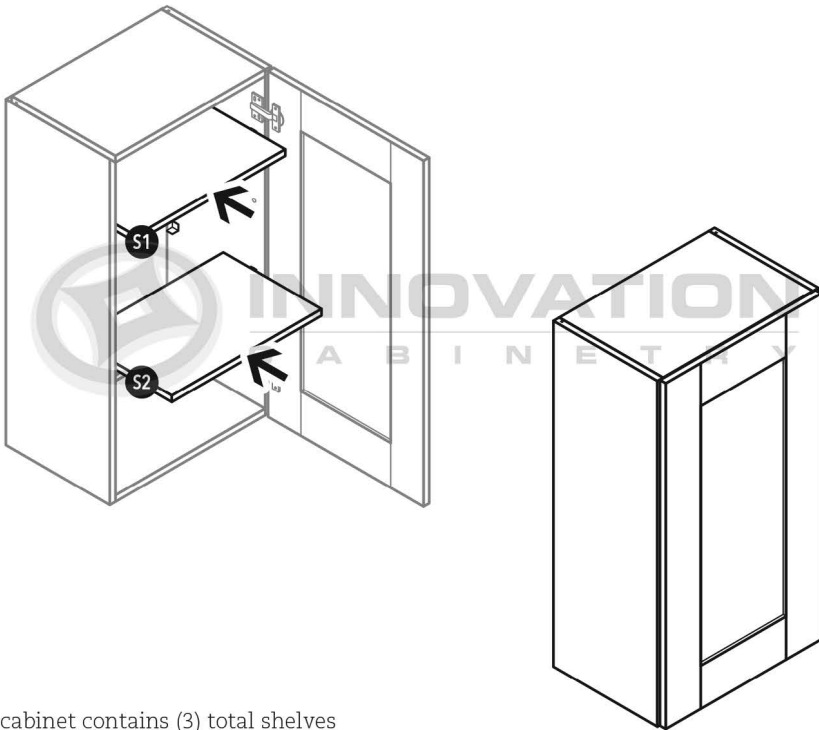


INNOVATION
CABINETS

Step 8



Step 9

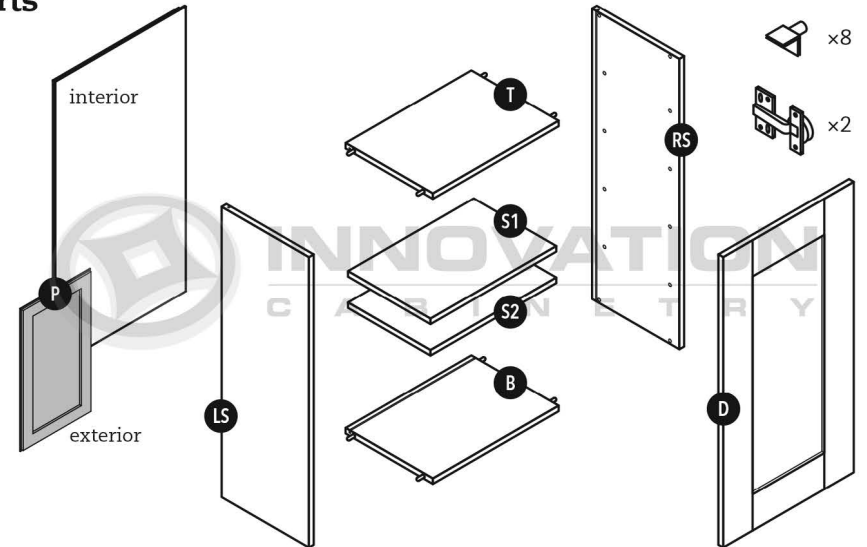


*42"H cabinet contains (3) total shelves

MODEL#: ALL SINGLE DOOR WALL CABINETS W/ SHELVES

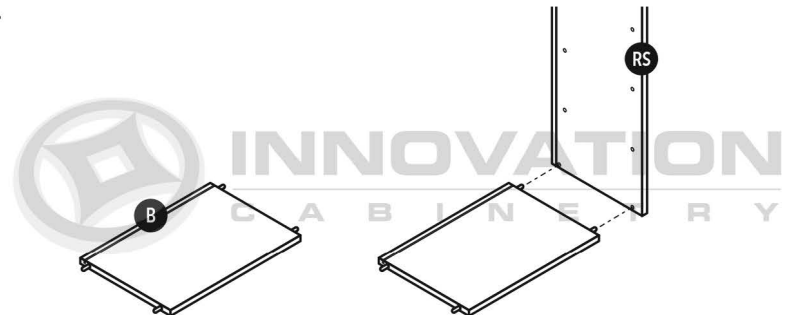
Single-door Wall Cabinet With Shelves

Parts

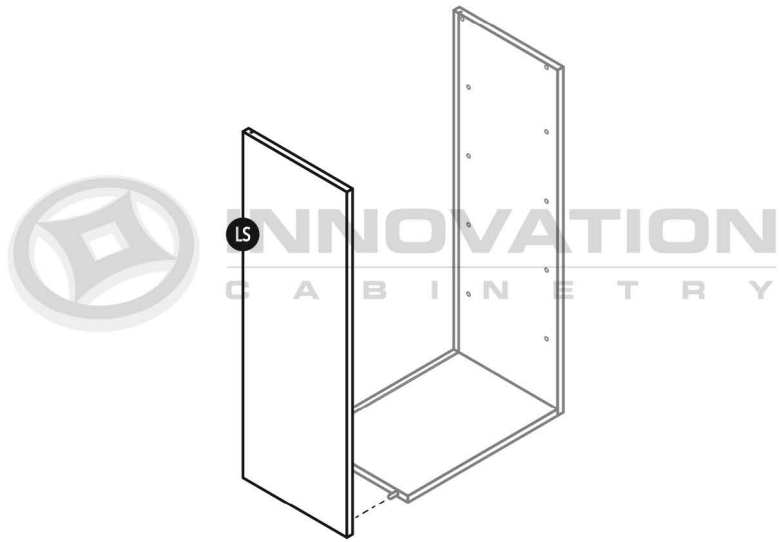


*42"H cabinet contains (3) total shelves

Step 1

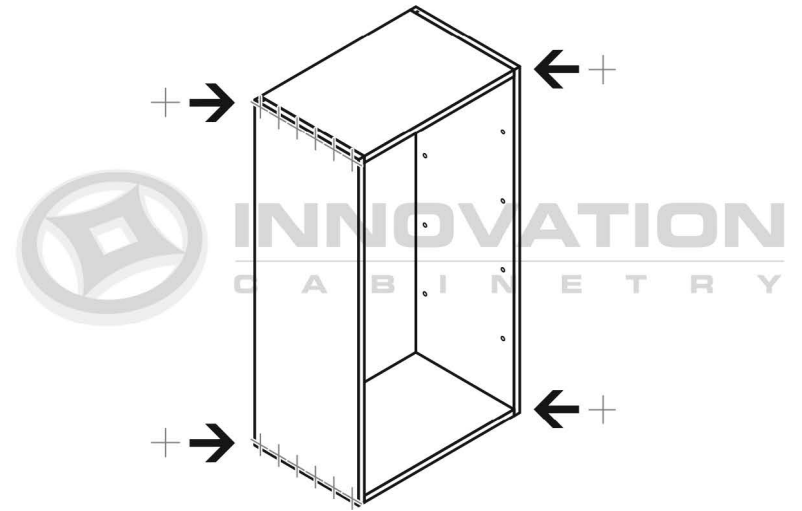


Step 2

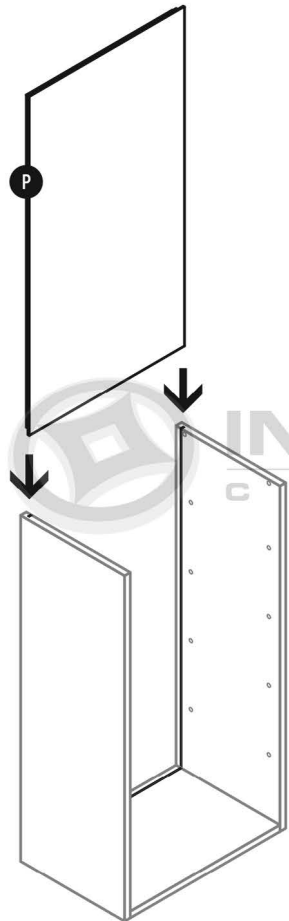


Step 5

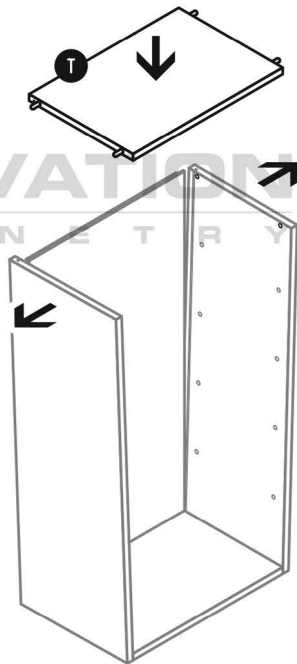
+ = finish nail



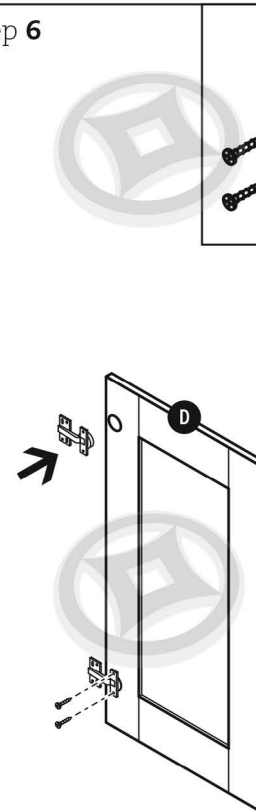
Step 3



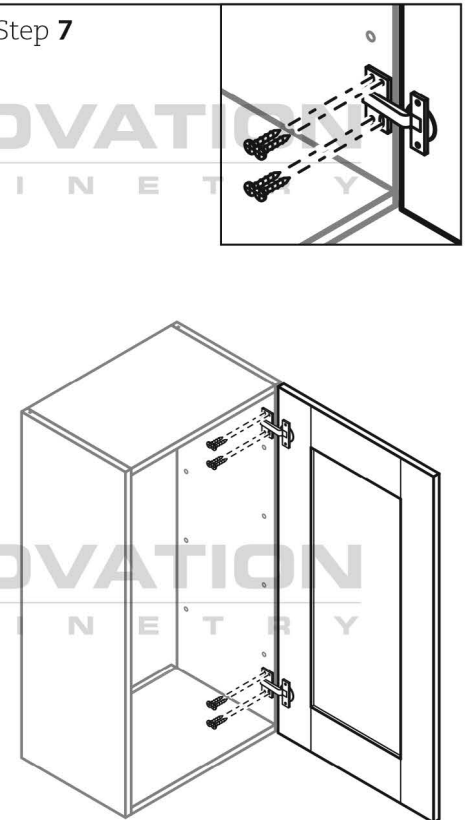
Step 4



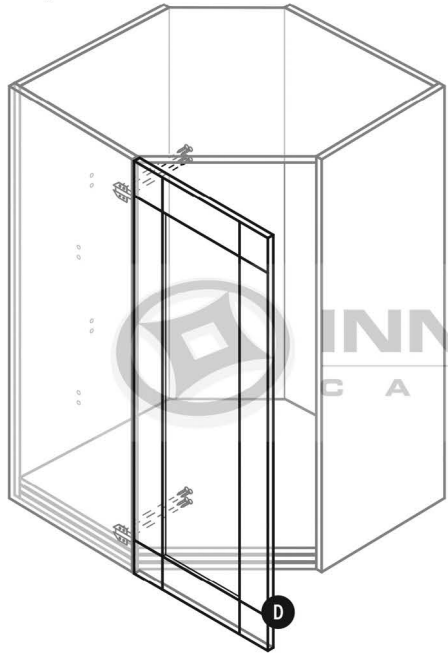
Step 6



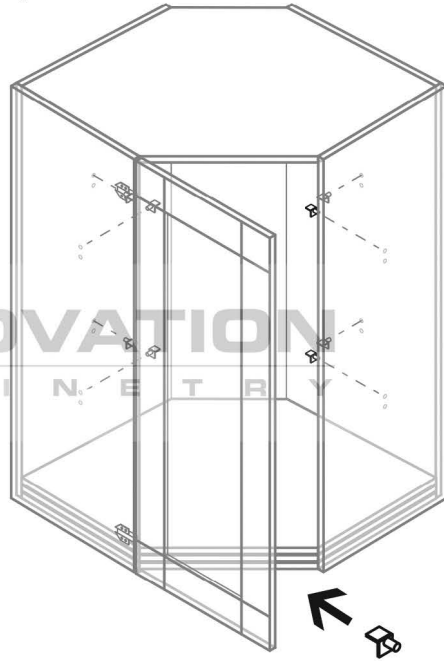
Step 7



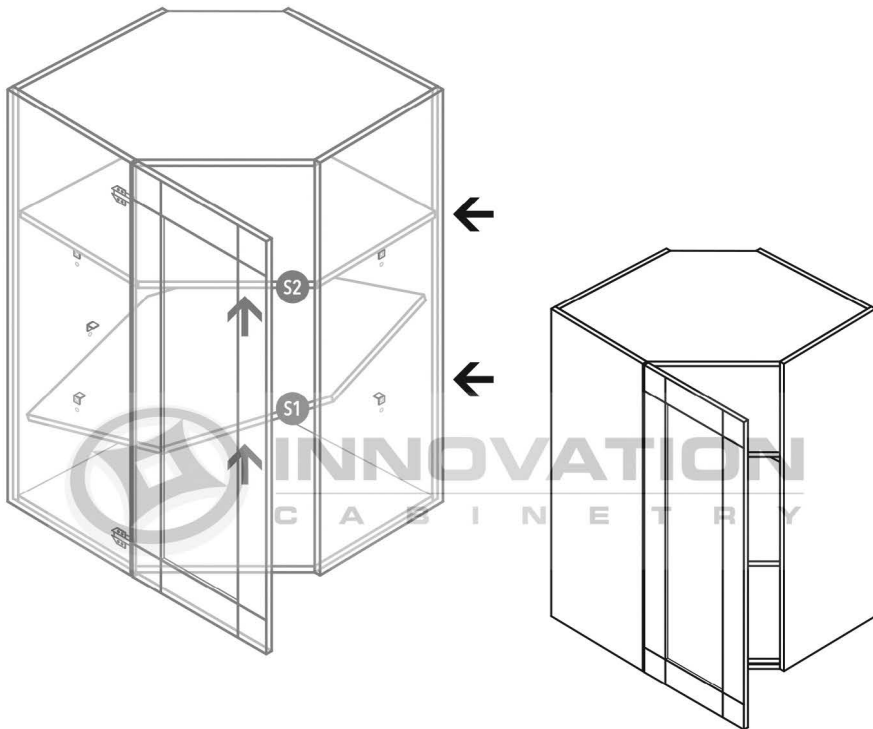
Step 8



Step 9



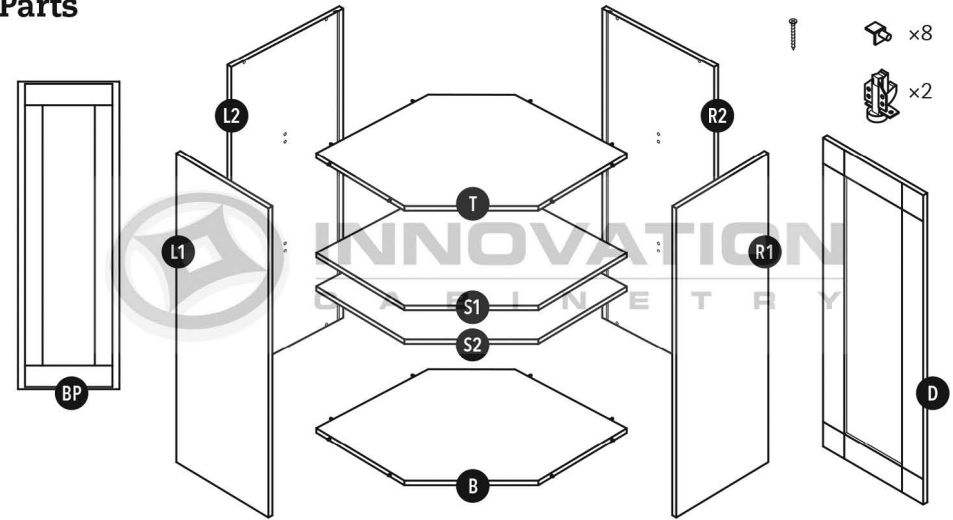
Step 10



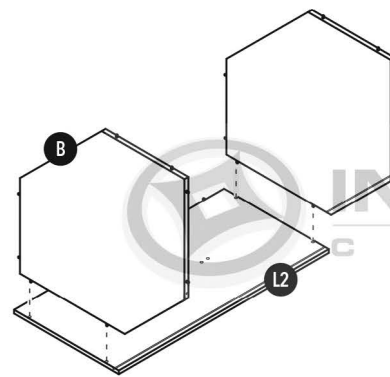
MODEL#: WDC2430, WDC2436, WDC2442, WDC2436-15, WDC2442-15

Wall Diagonal Corner Cabinet

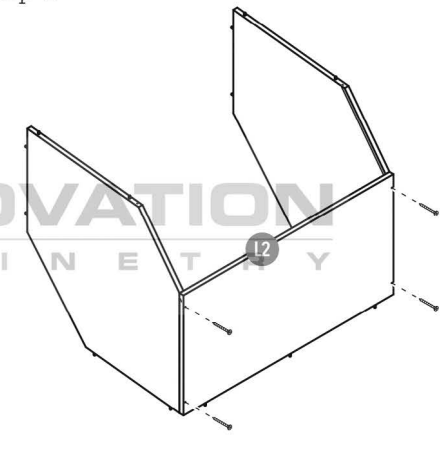
Parts



Step 1



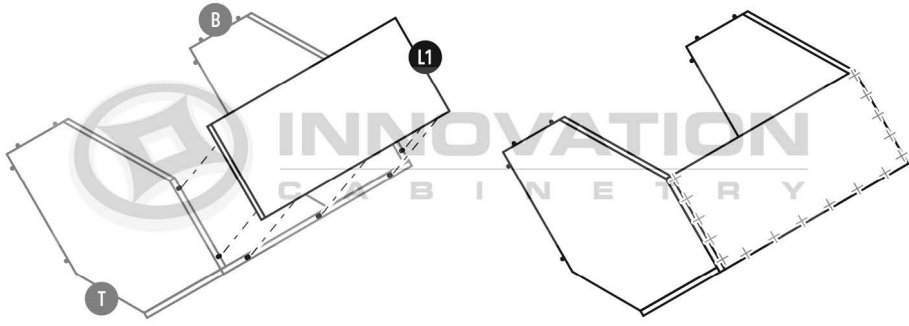
Step 2



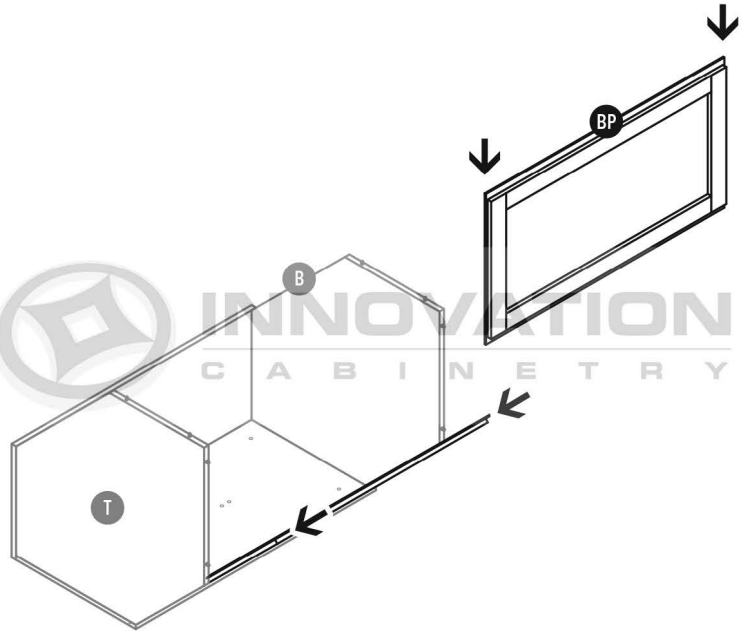
Step 3



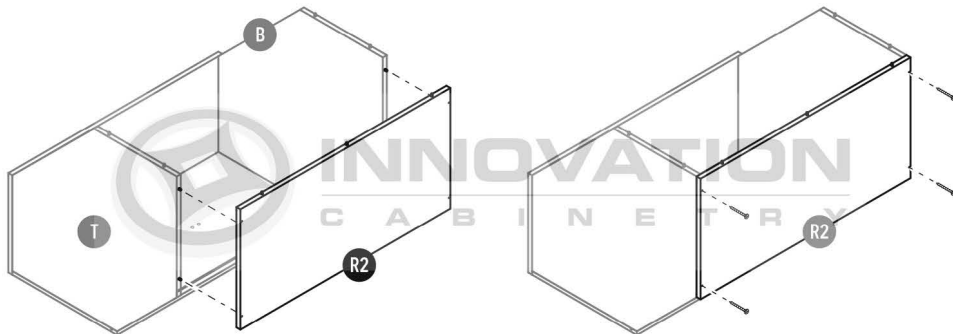
+ = finish nail



Step 4

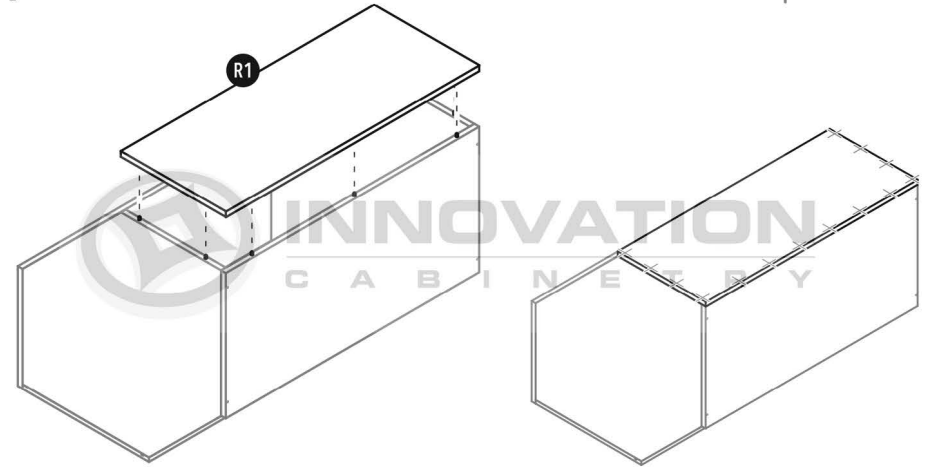


Step 5

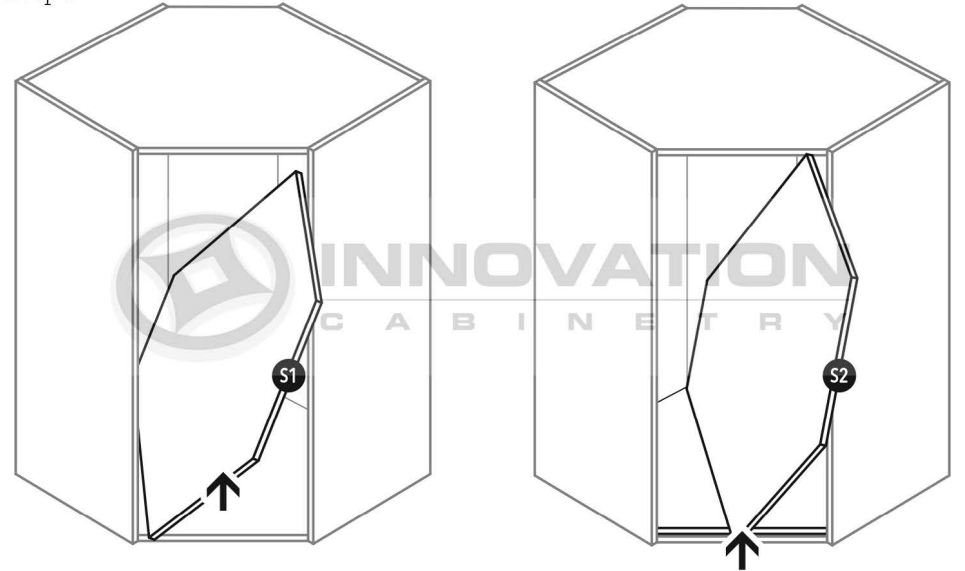


Step 6

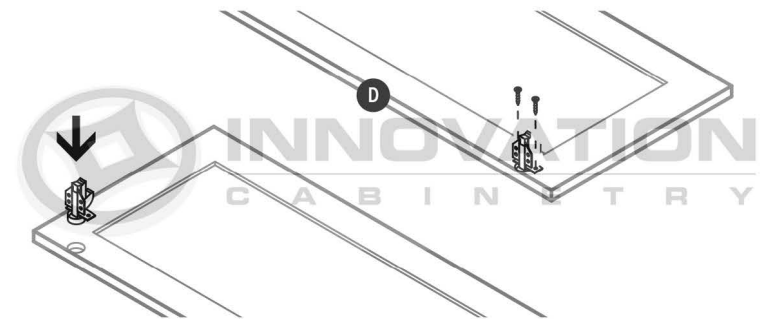
+ = finish nail



Step 7

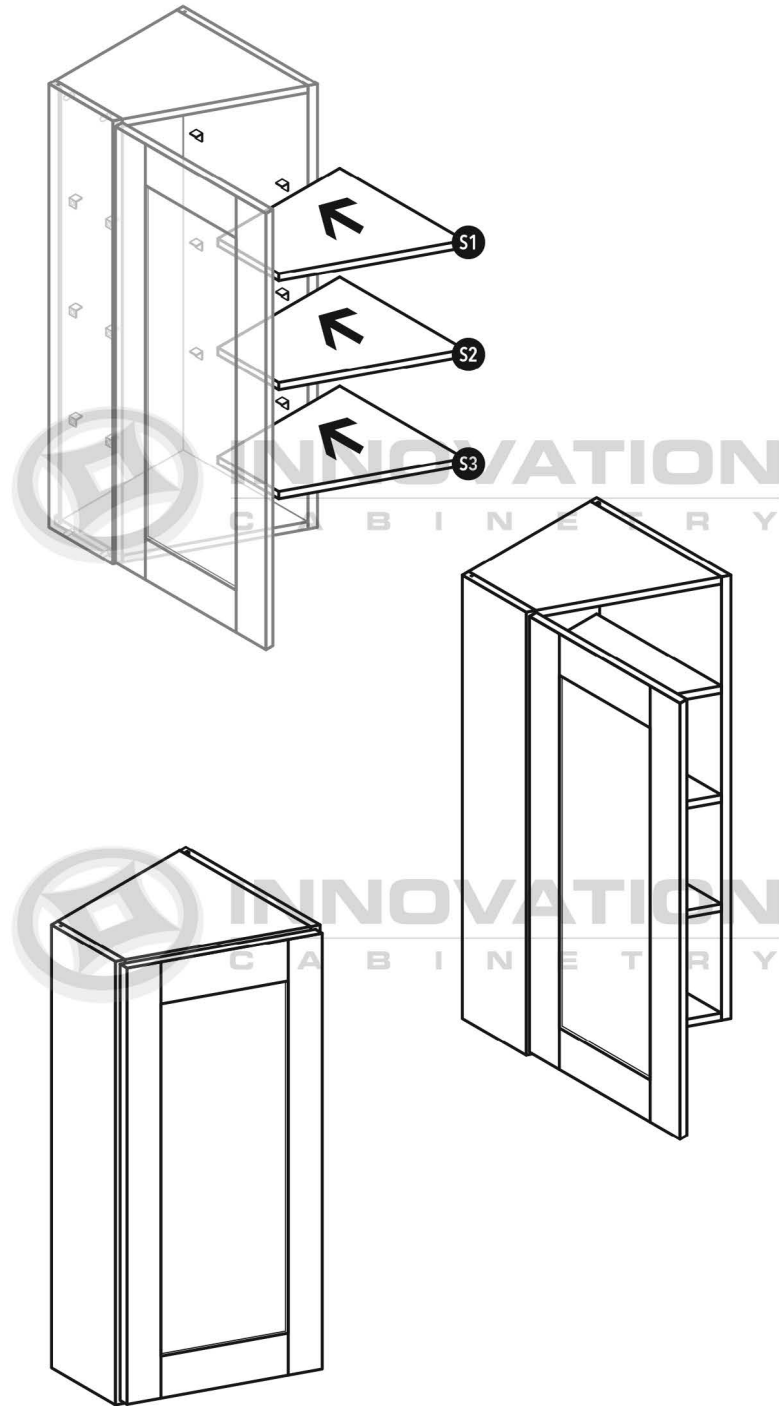


Step 8

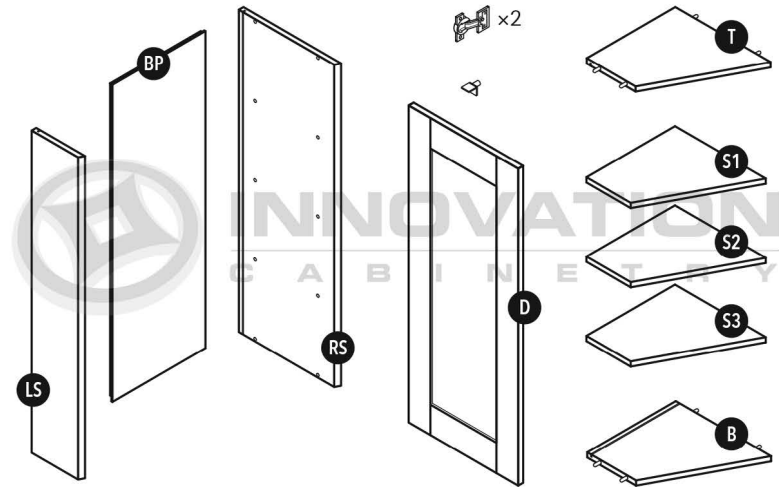


MODEL#: WEA1230, WEA1236, WEA1242

Wall End Angle Cabinet

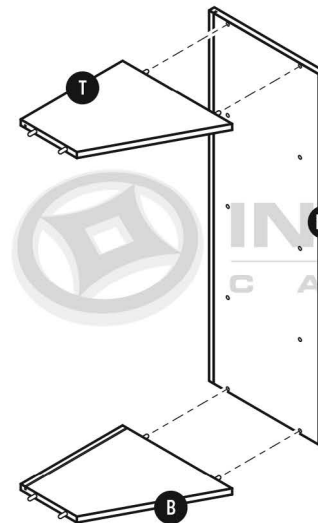


Parts

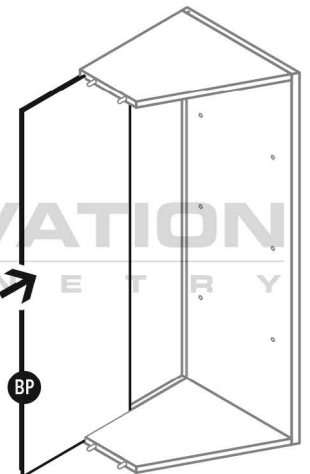


*30"H & 36"H cabinet contains (2) shelves, 42"H contains (3) shelves

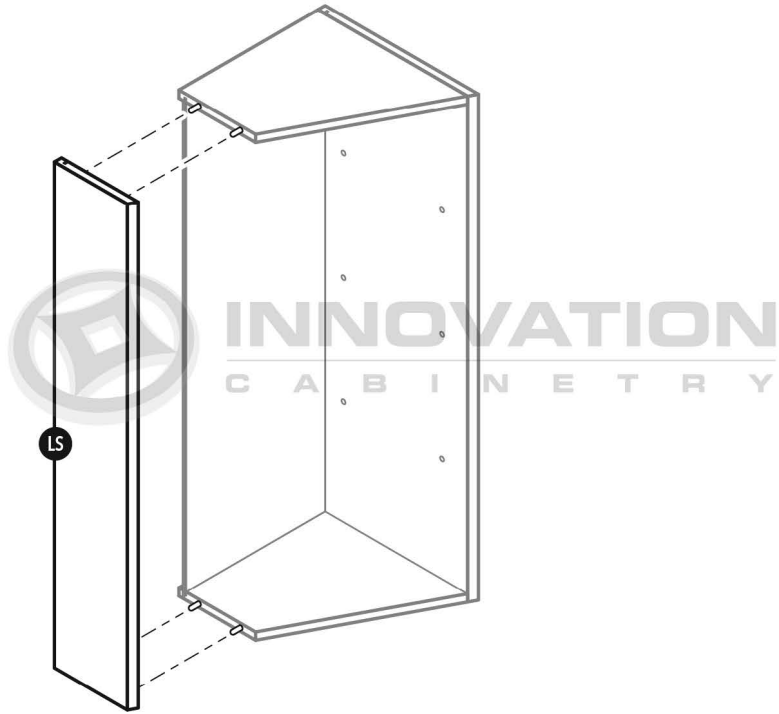
Step 1



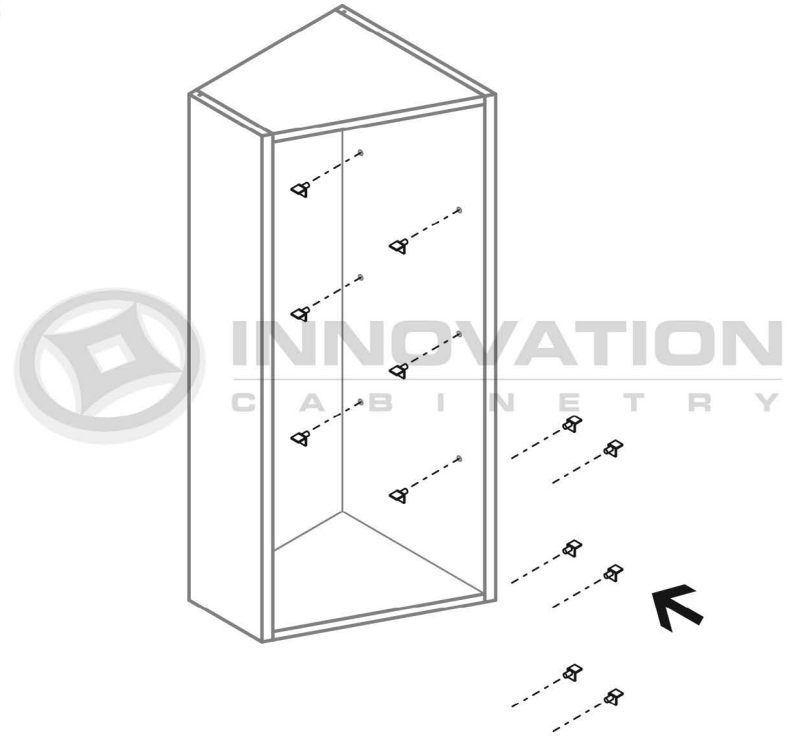
Step 2



Step 3

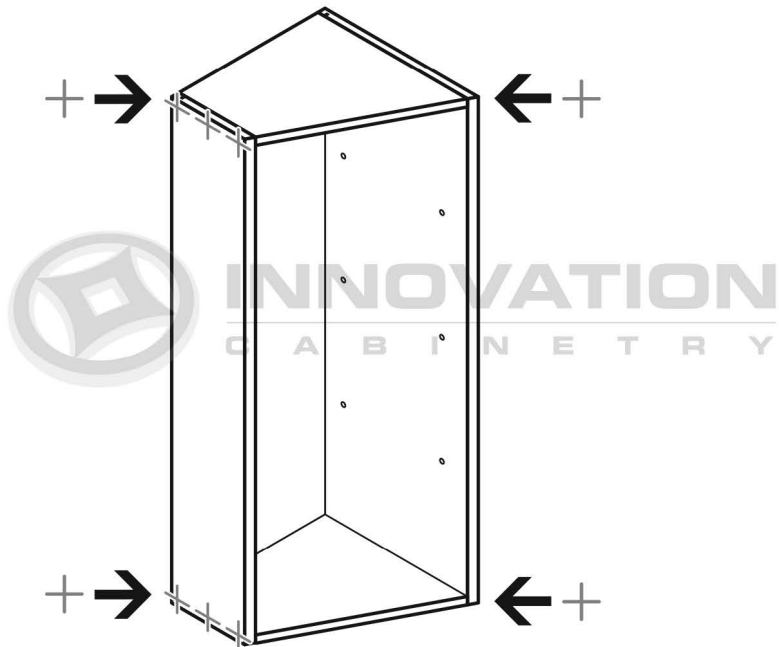


Step 5

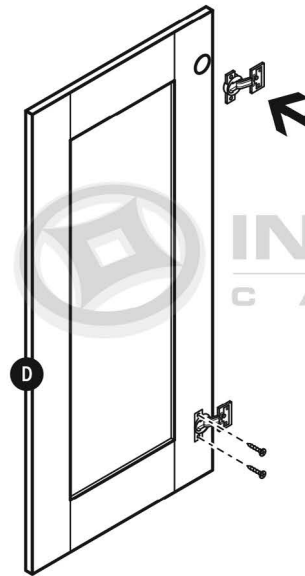


Step 4

+ = finish nail



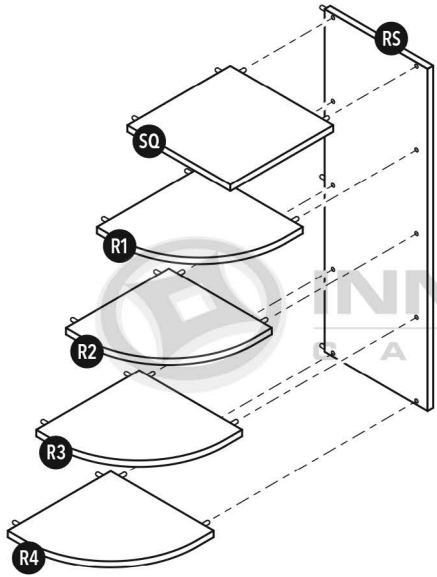
Step 6



Step 7

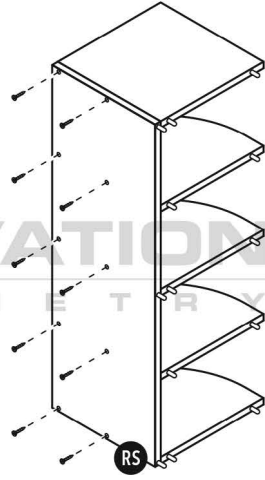


Step 1



*30"H & 36"H cabinets contain (2) shelves,
42"H contains (3) shelves

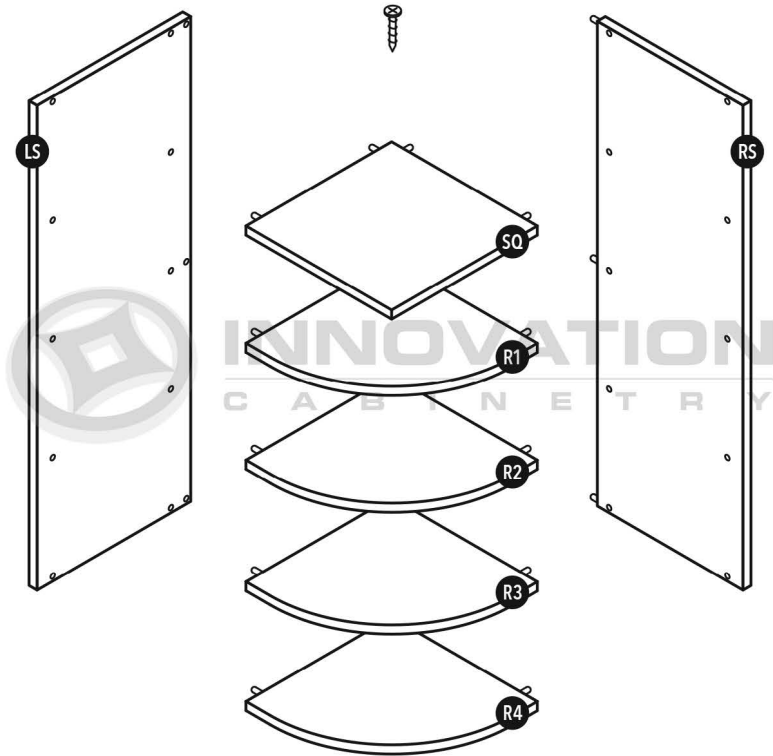
Step 2



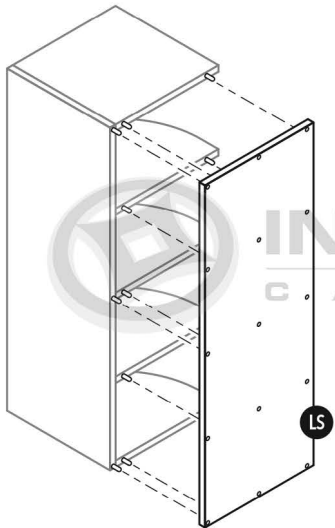
MODEL#: WOES1230, WOES1236, WOES1242

Wall Open End Shelf

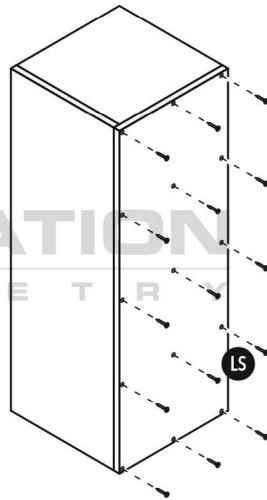
Parts



Step 3



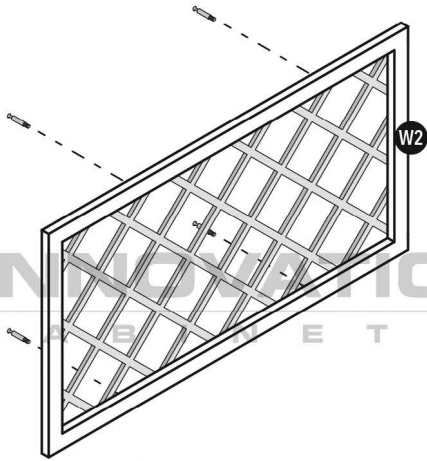
Step 4



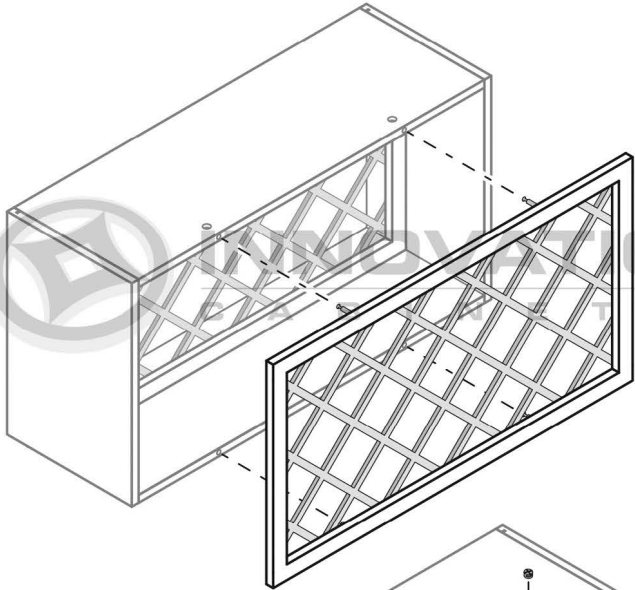
*30"H & 36"H cabinets contain (2) shelves, 42"H contains (3) shelves

Step 6

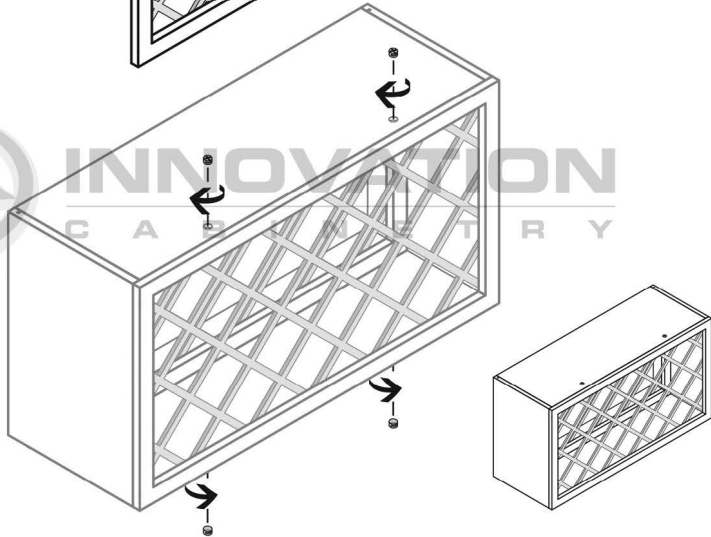
6a)



6b)



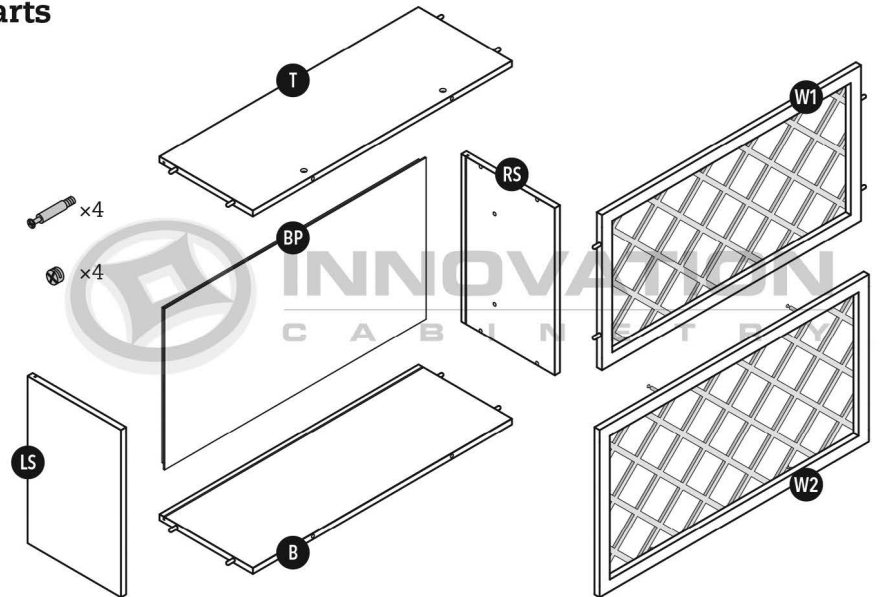
6c)



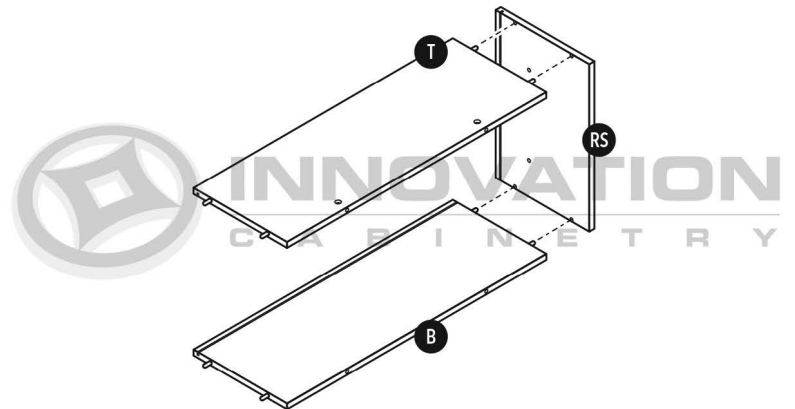
MODEL#: WRC3015, WRC3018, WRC3618

Wine Rack Cabinet

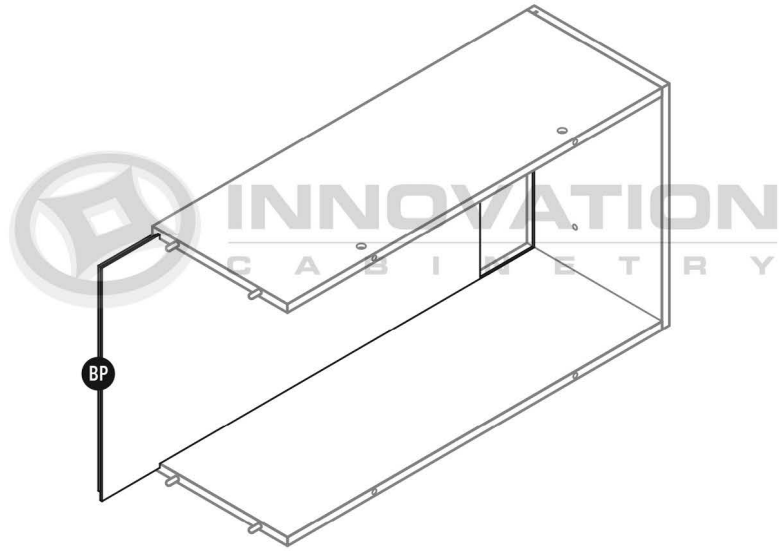
Parts



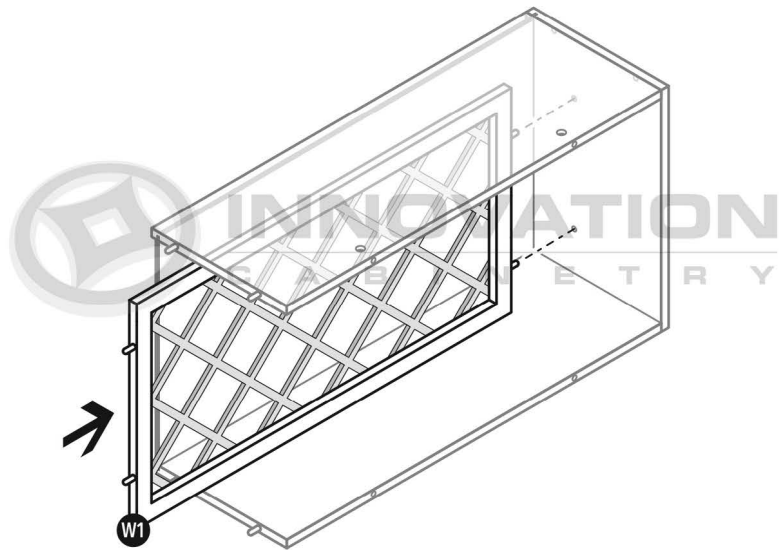
Step 1



Step 2

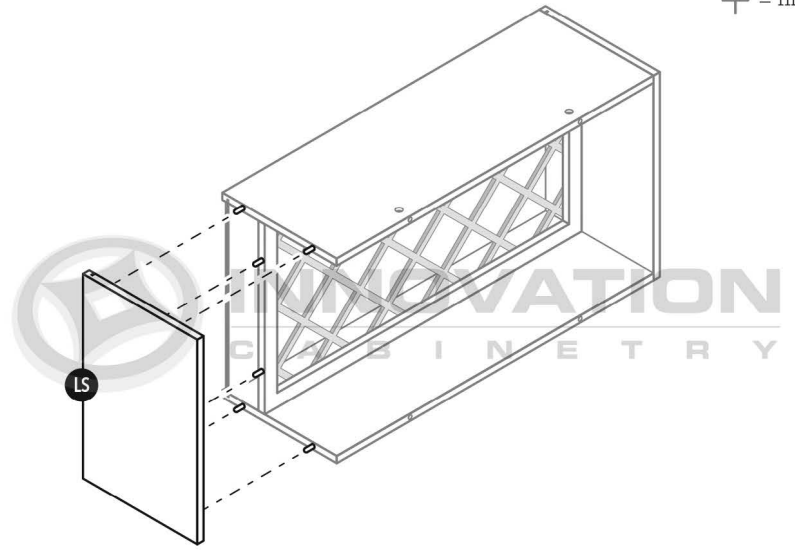


Step 3



Step 4

+ = finish nail



Step 5

