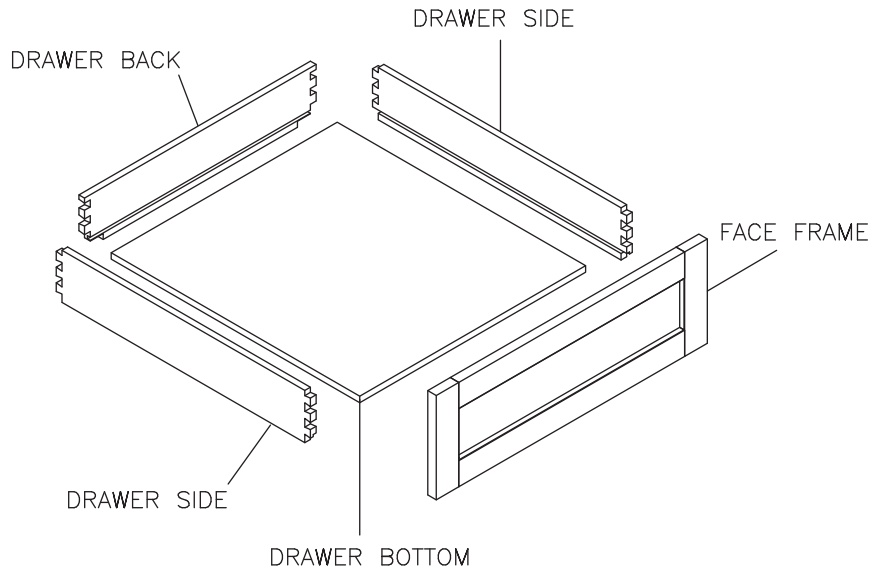
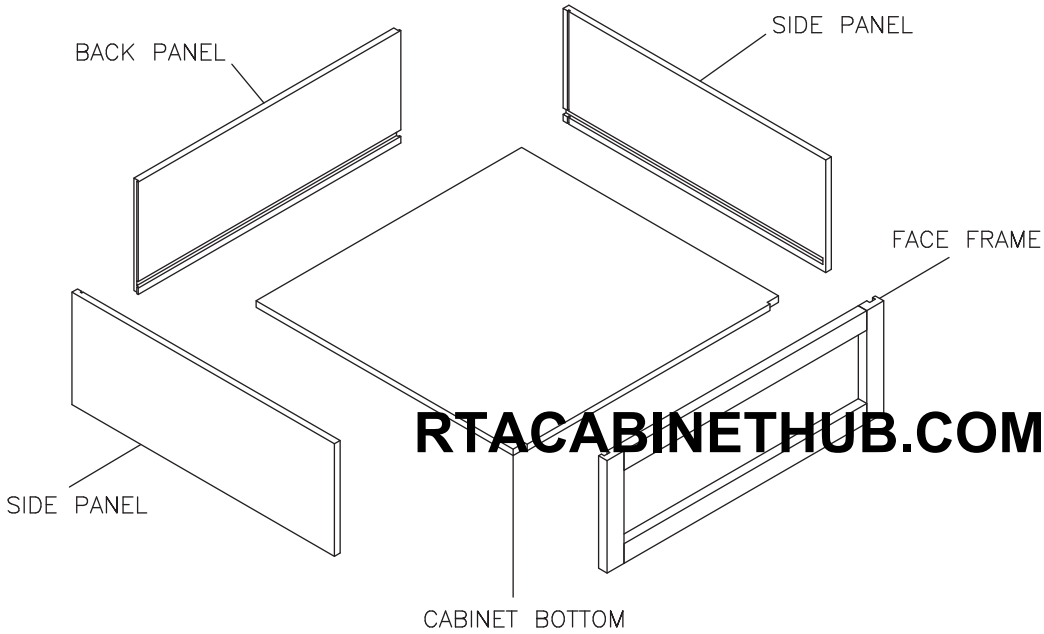
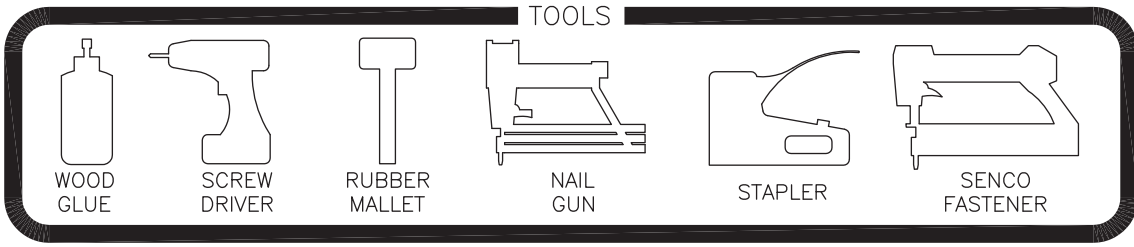


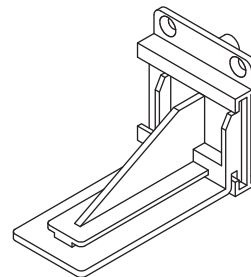
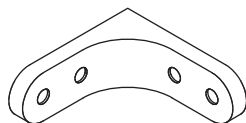
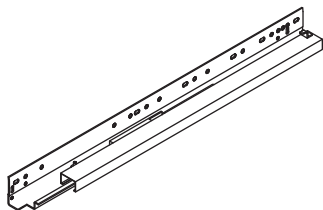
P.01

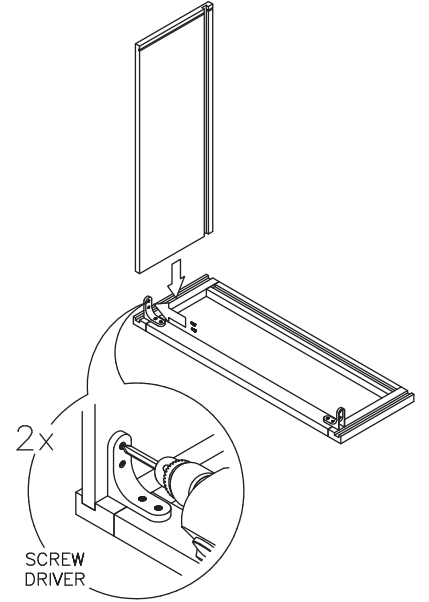
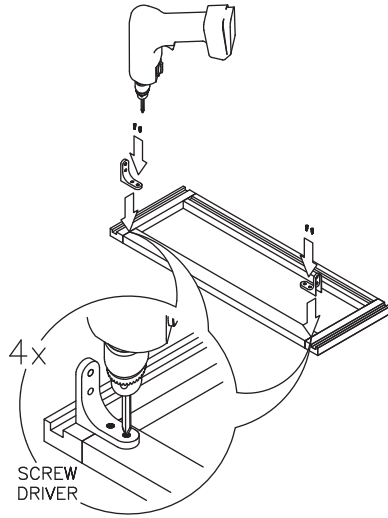
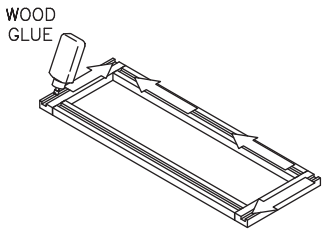


UNDERMOUNT GLIDE (2)

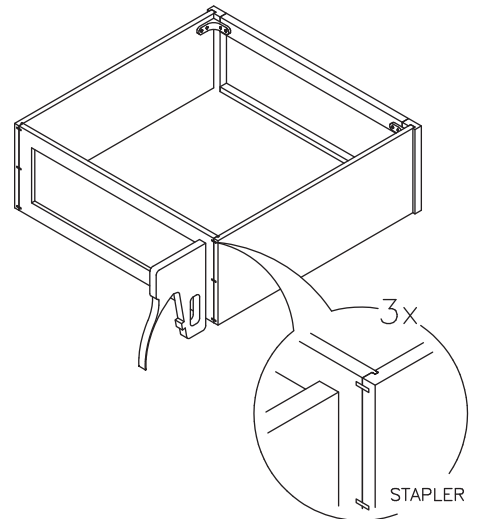
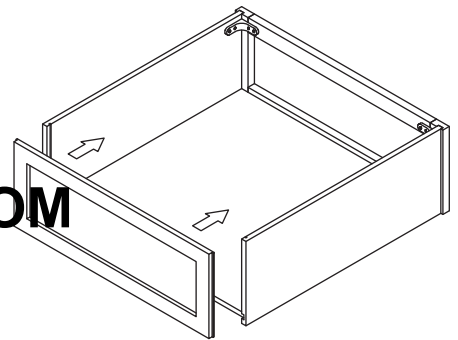
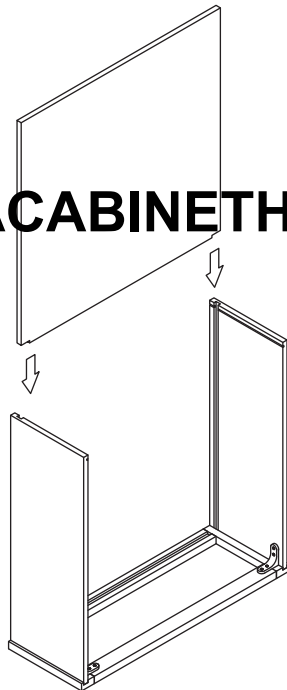
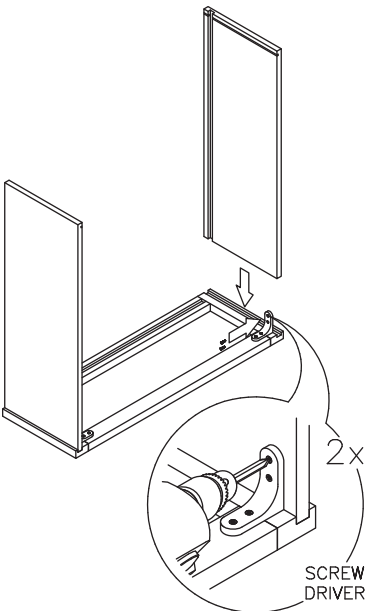
CORNER BRACKET (4)

GLIDE SUPPORT (2)

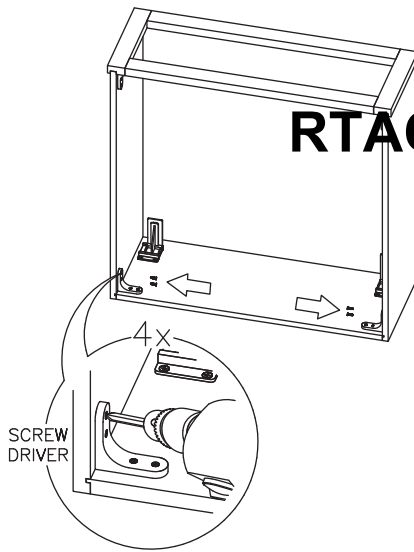
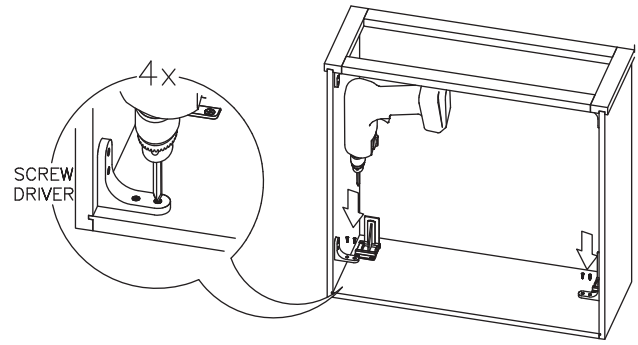
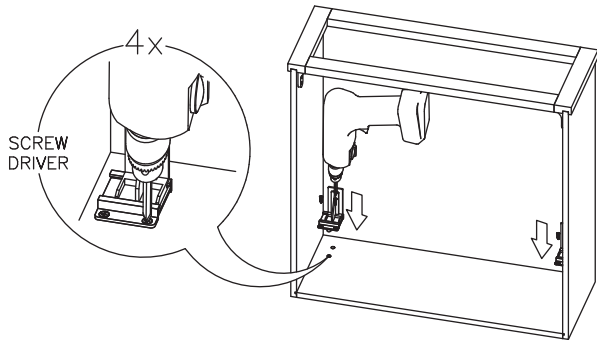




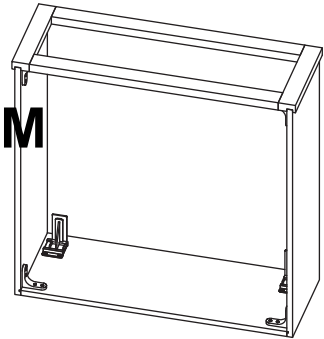
RTACABINETHUB.COM

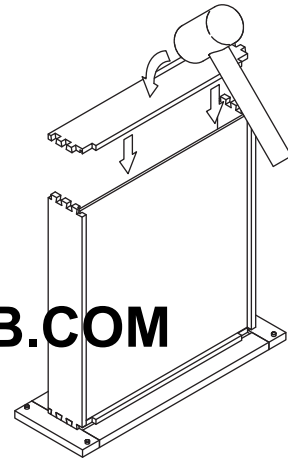
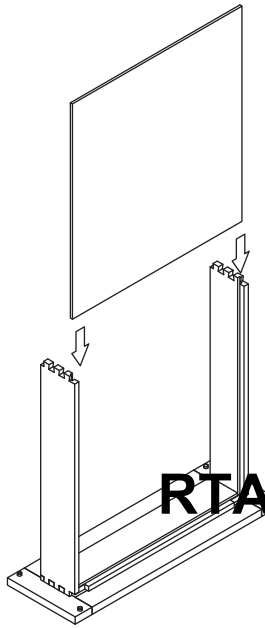
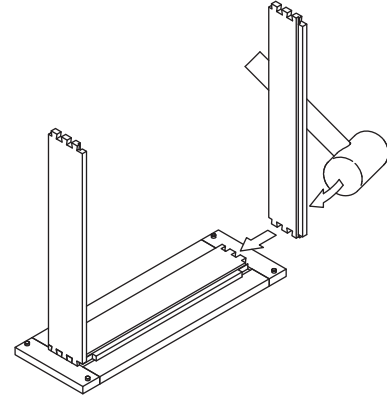
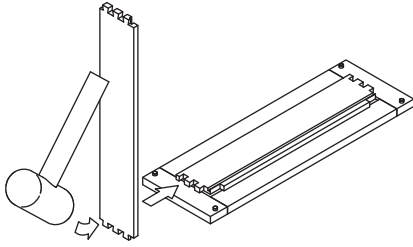


P.03

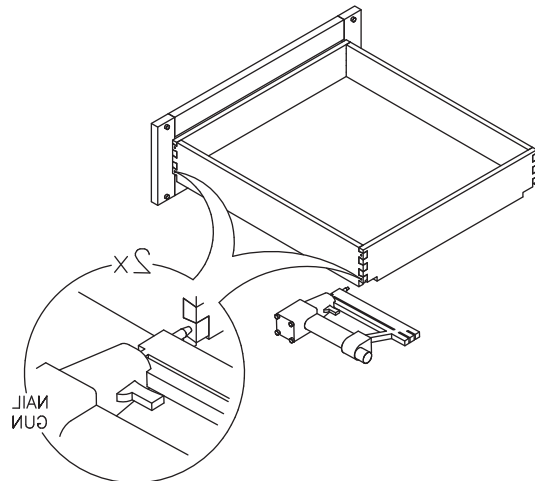
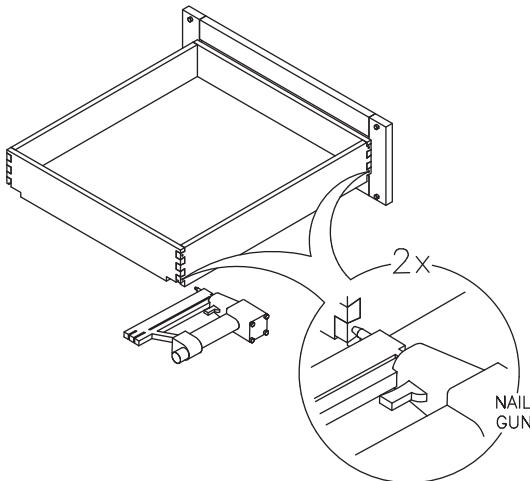


RTACABINETHUB.COM

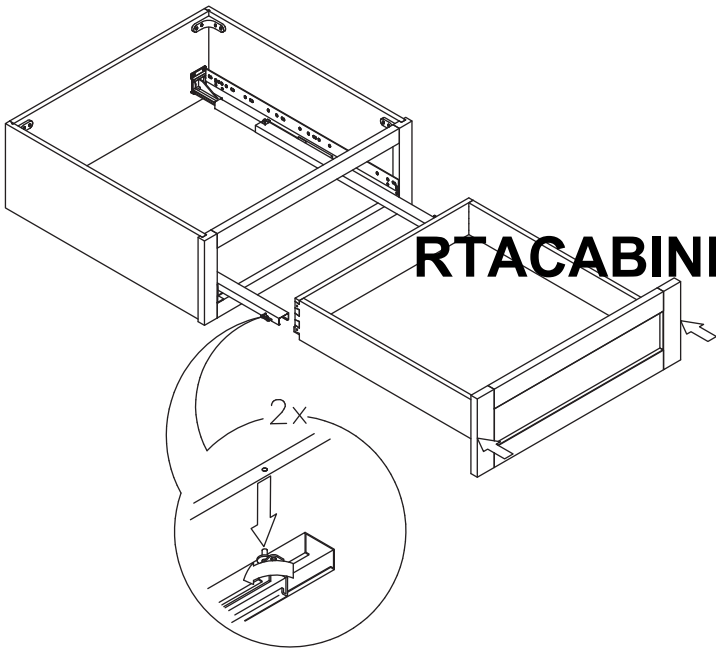
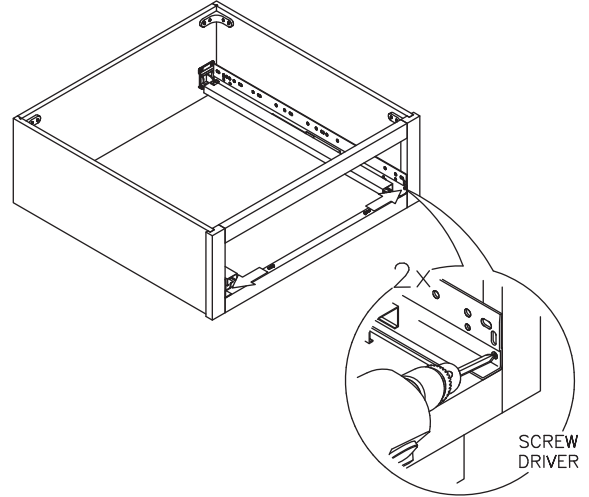
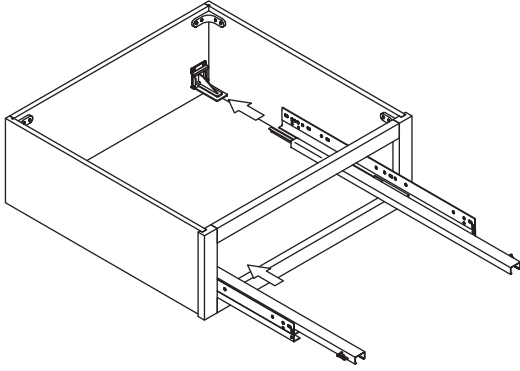




RTACABINETHUB.COM



P.05



RTACABINETHUB.COM

