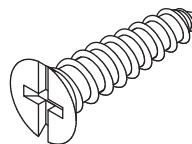
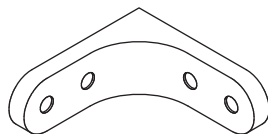
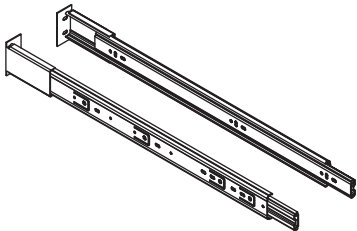
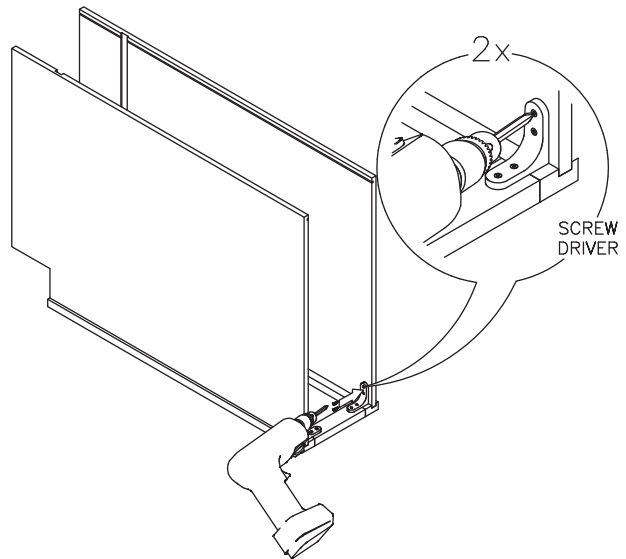
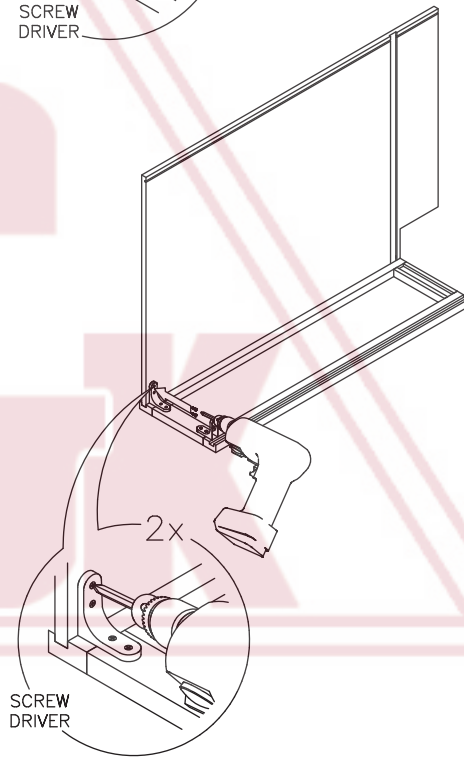
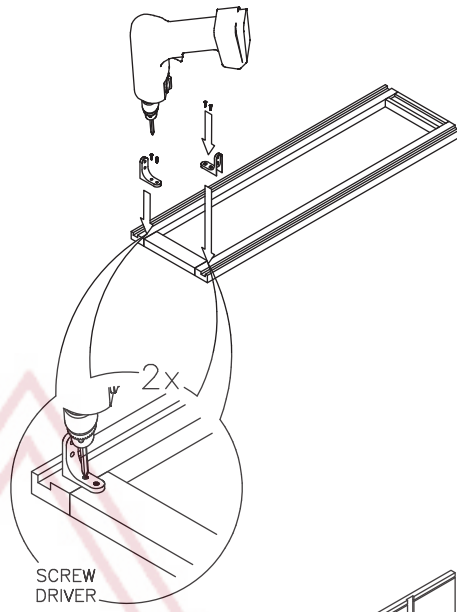
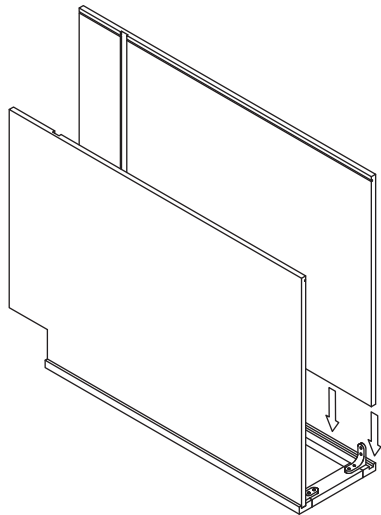
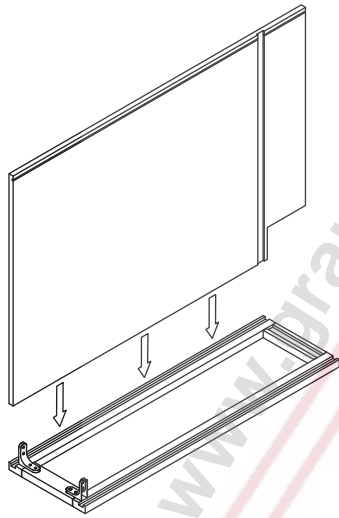
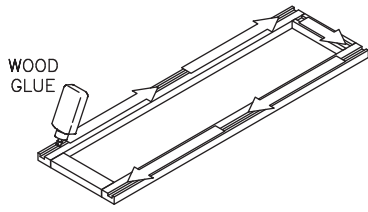


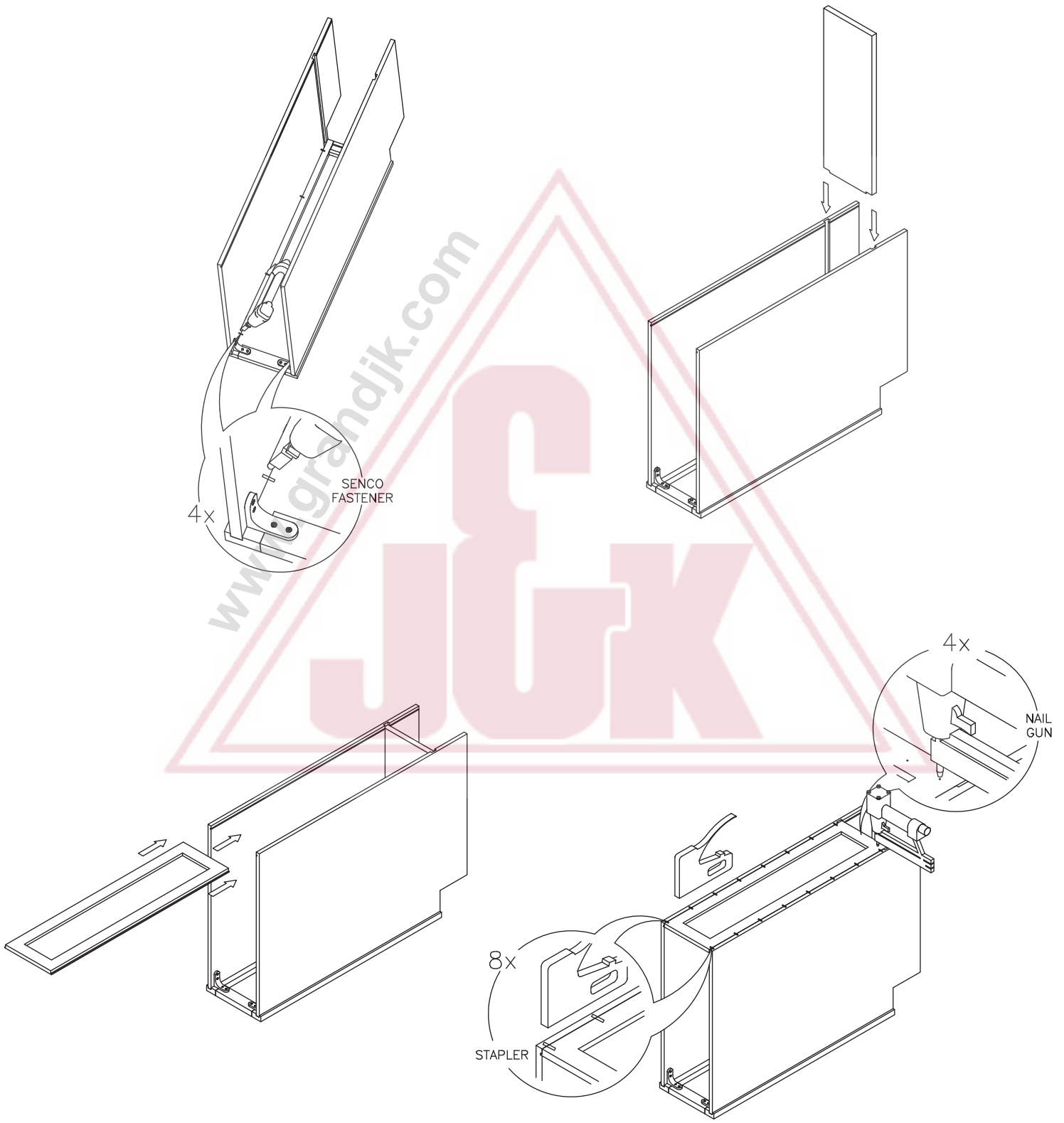
GLIDES (2)

METAL BRACKETS (4)

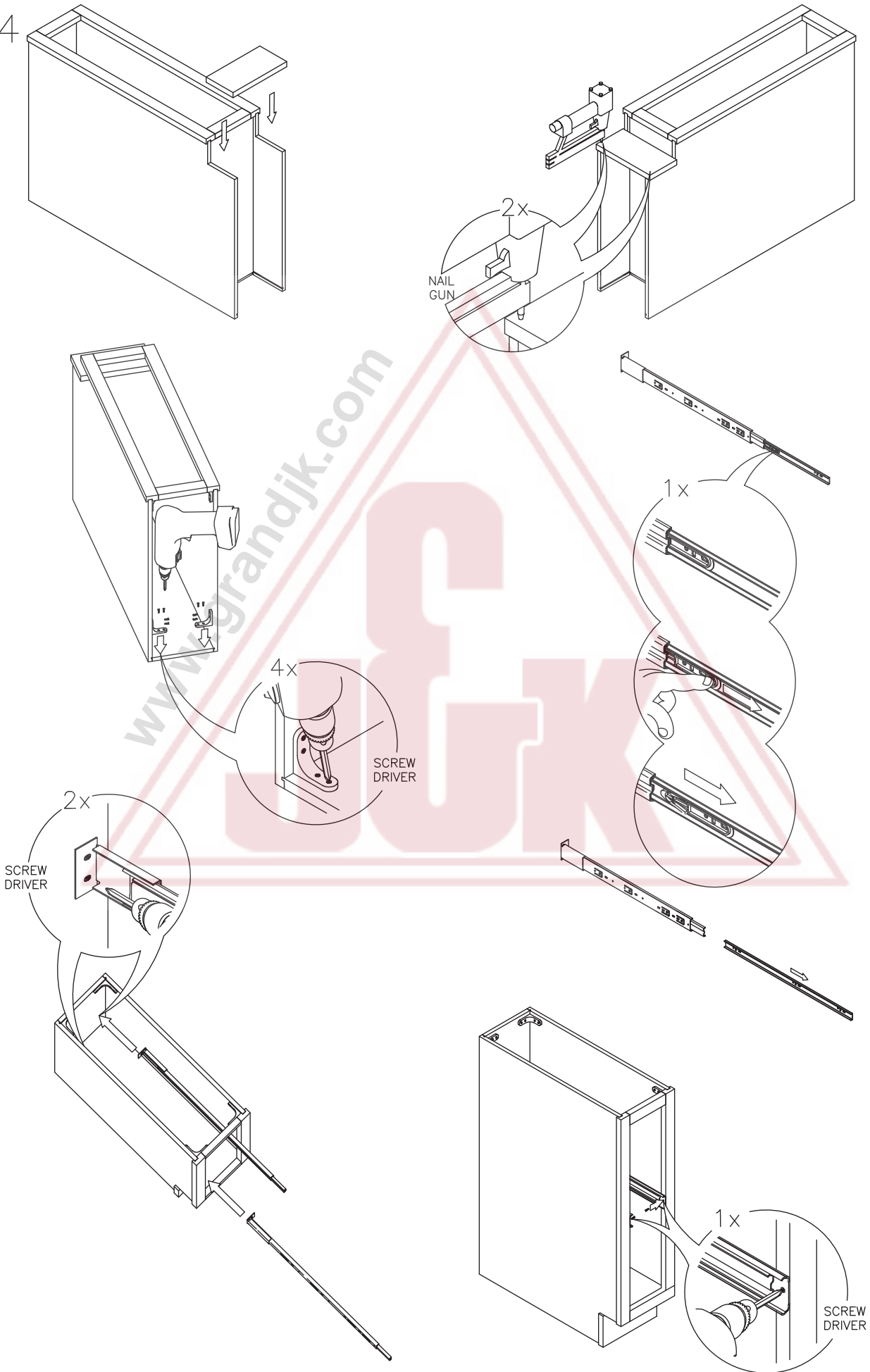
SCREWS (20)







P.04



P.05

