

ASSEMBLY INSTRUCTIONS

BASE CABINET

Part	Description	Qty	Part	Description	Qty	Part	Description	Qty
A	Face-frame with door	1	F	Toe Kick	1	K,L,M,N,O	Drawer Box Part	1/2
B	Plastic Lock	4	G	Bottom Support	0/1	P	Screw	2/3/4
C	Side Panel	2	H	Glide With Screw	1/2	Q	Shelf Support Clip	4
D	Bottom Panel	1	I	Corner Braces	4	R	Shelf	1
E	Back Panel	1	J	Drawer Front	1/2			

This instruction applies to the following items: **B09-B36,BBC42.**

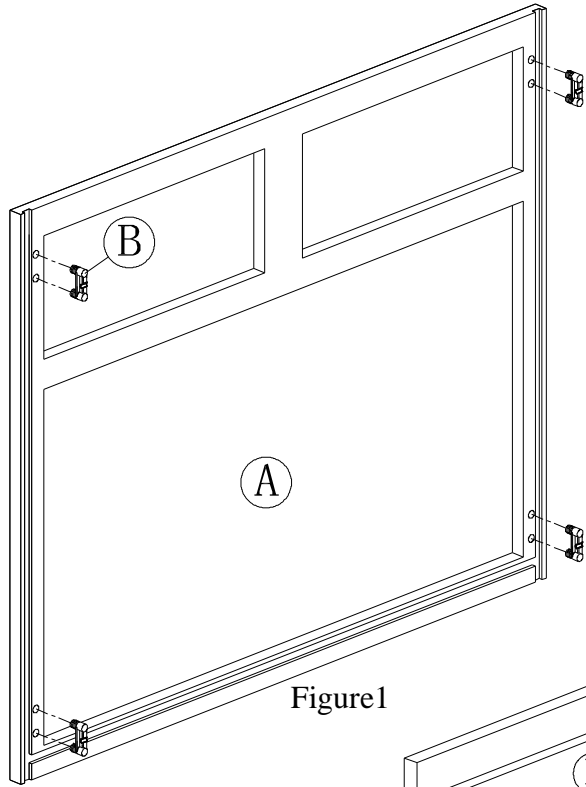


Figure1

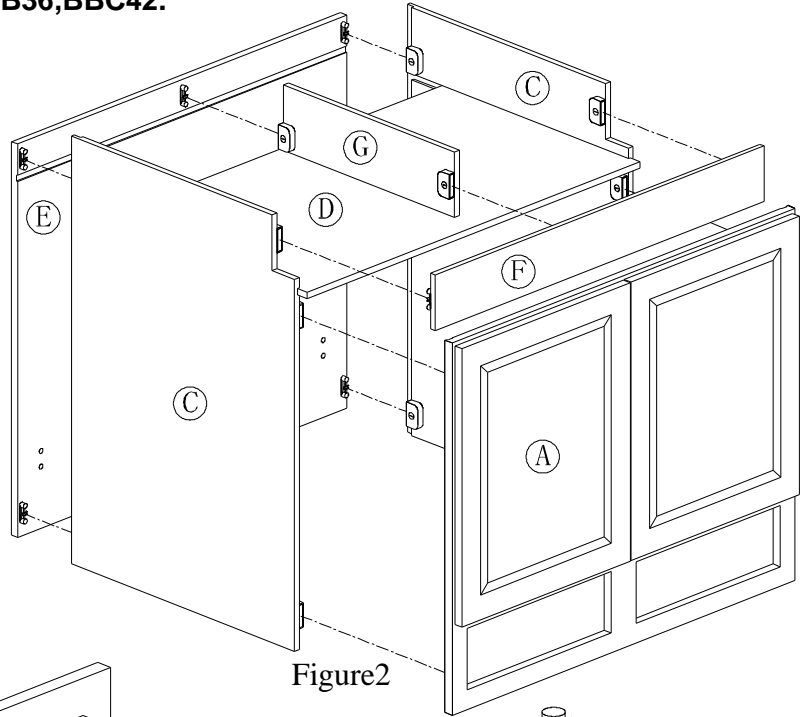


Figure2

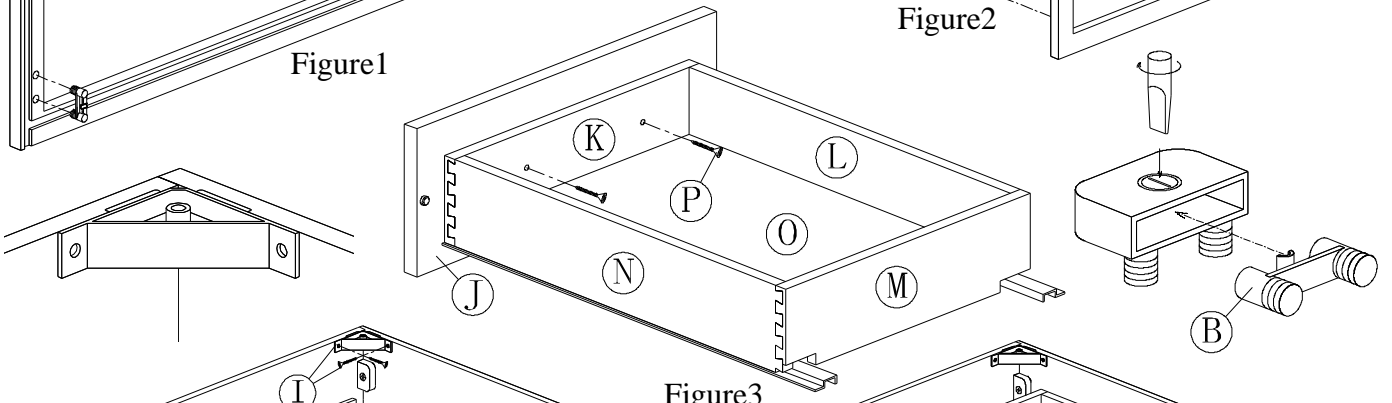


Figure3

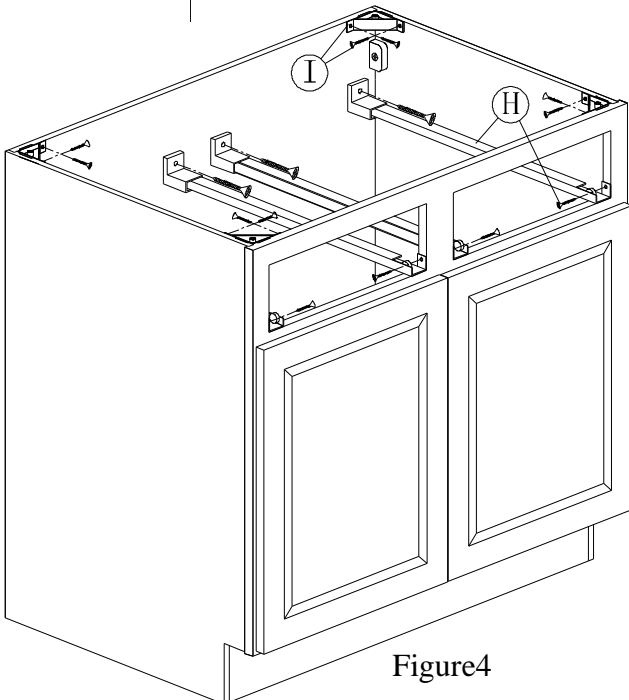


Figure4

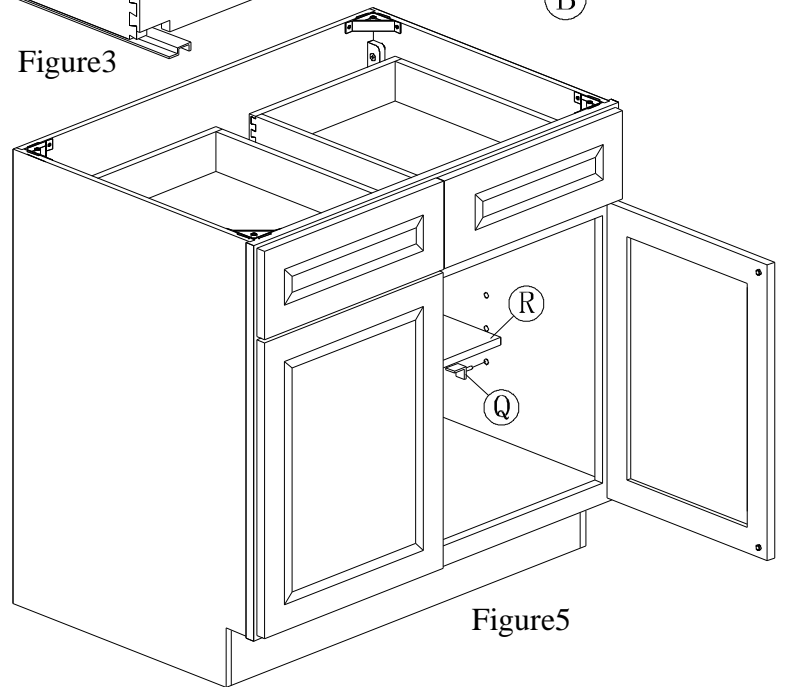
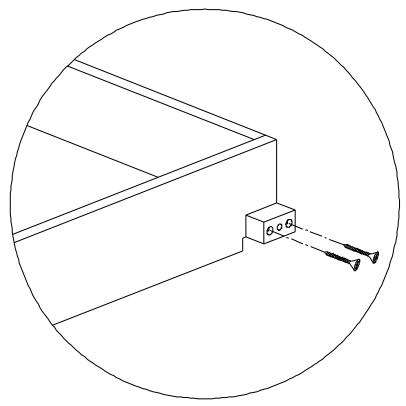
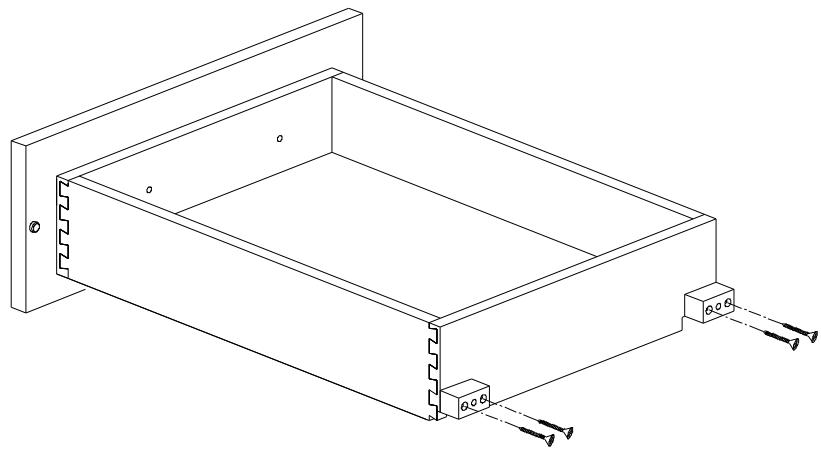
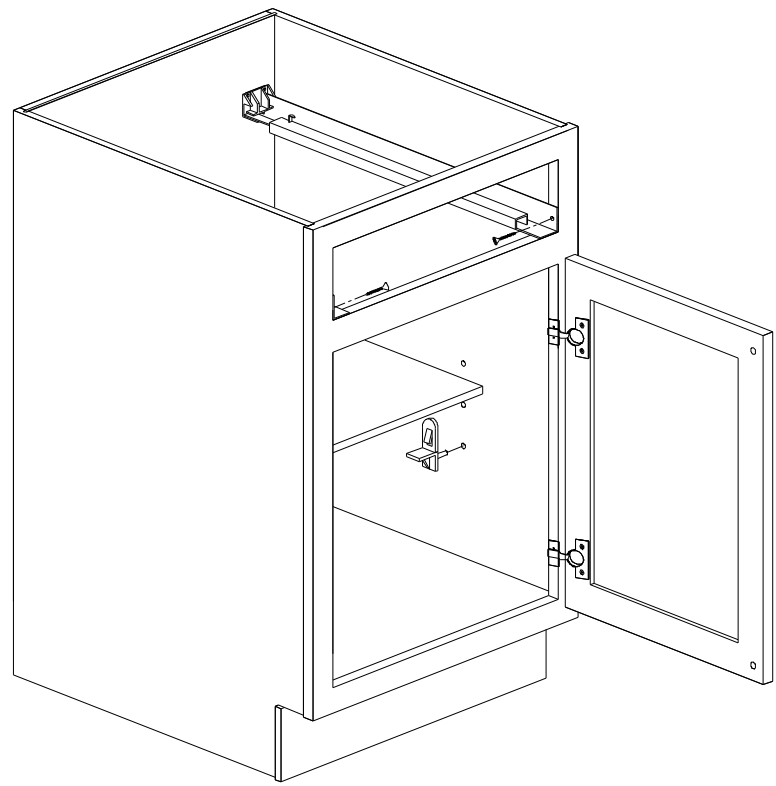
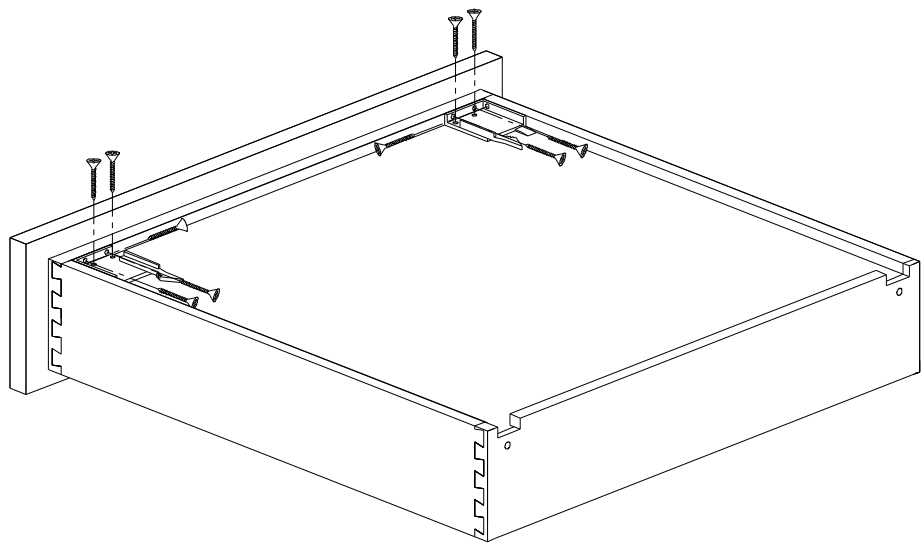
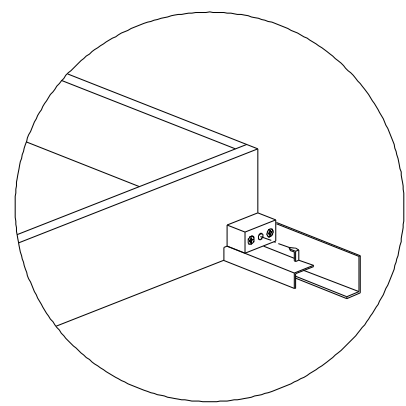


Figure5



①



②