

# ASSEMBLY INSTRUCTIONS

## BASE CABINET

Part	Description	Qty	Part	Description	Qty	Part	Description	Qty
A	Face-frame	1	E	Back Panel	1	I	Corner Braces	4
B	Plastic Lock	4	F	Toe Kick	1	J	Drawer Front	3
C	Side Panel	2	G	Bottom Support	0/1	K,L,M,N,O	Drawer Box Part	3
D	Bottom Panel	1	H	Glide With Screw	3	P	Screw	10/15

This instruction applies to the following items: **3DB15-3DB36,VDB12-VDB18.**

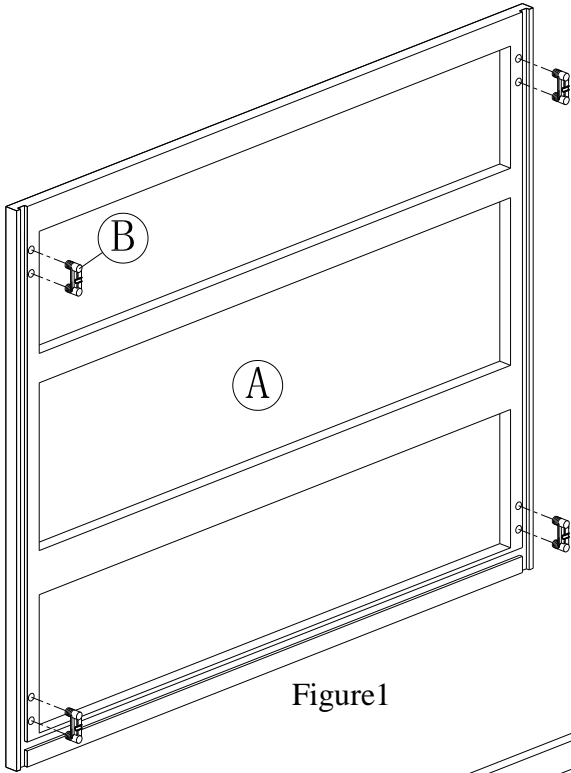


Figure1

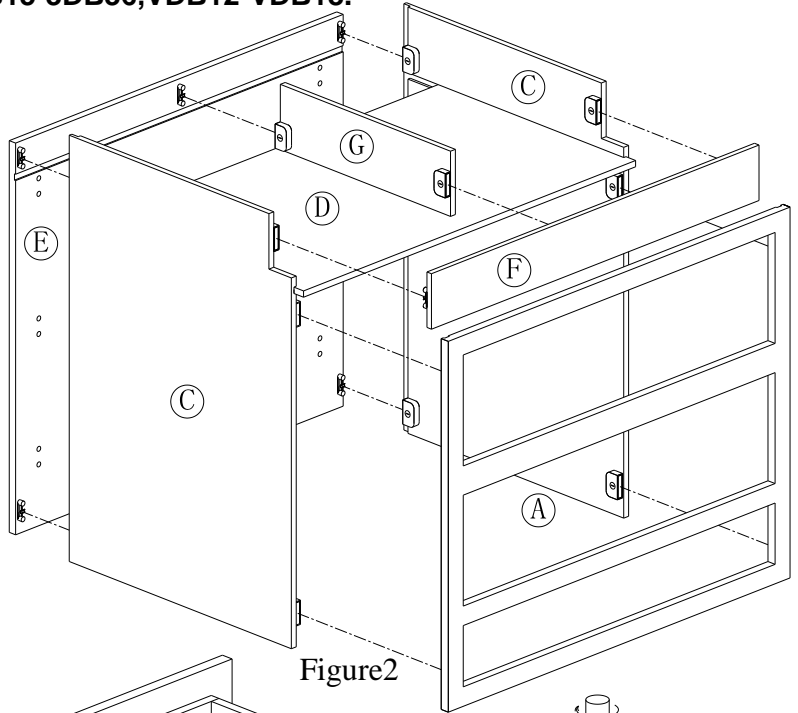


Figure2

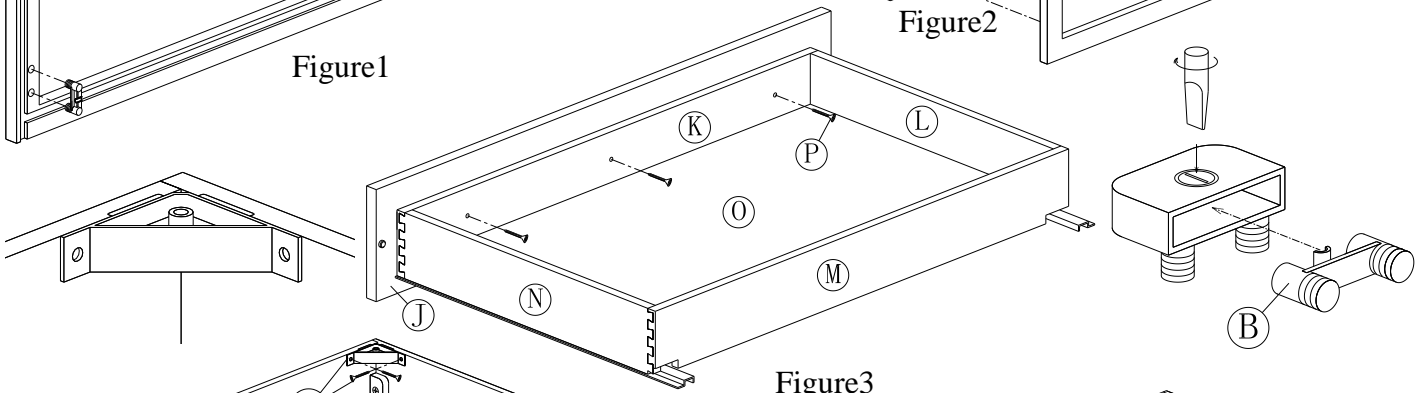


Figure3

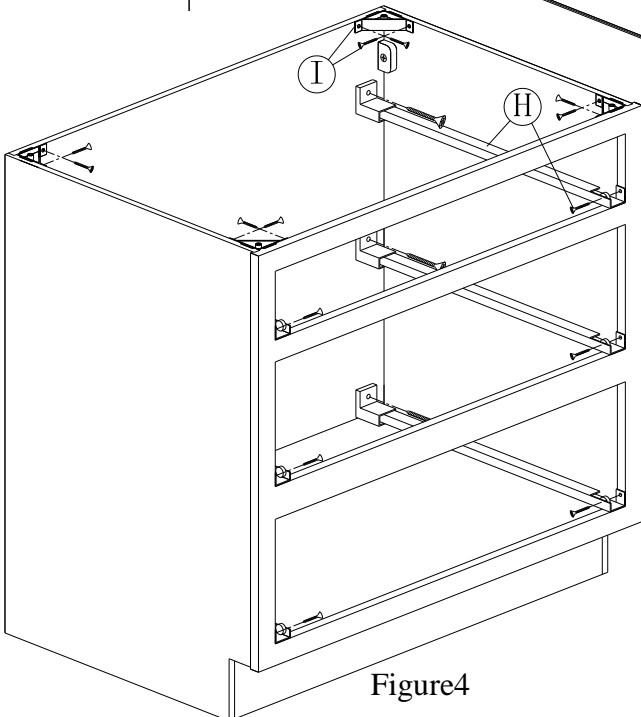


Figure4

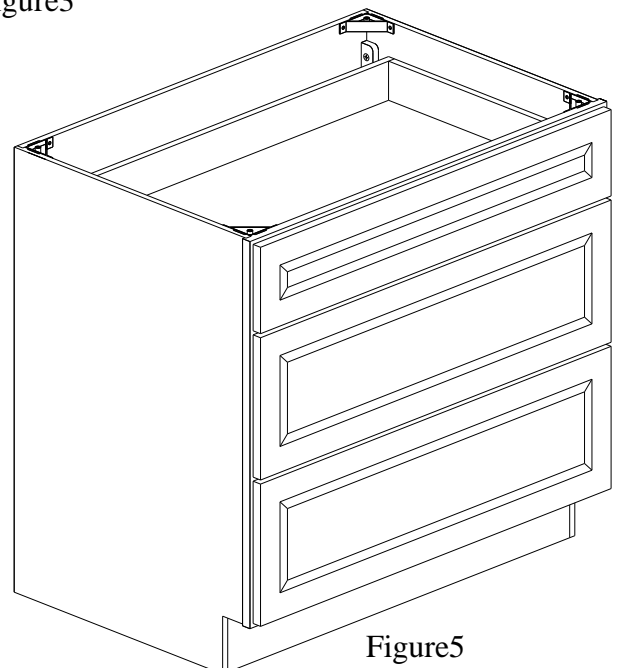


Figure5