

ASSEMBLY INSTRUCTIONS

WALL CABINET

Part	Description	Qty	Part	Description	Qty	Part	Description	Qty
A	Face-frame with door	1	D	Top and Bottom Panel	2	G	Shelf Support Clip	0/4/8/12
B	Plastic Lock	4/6/8	E	Back Panel	1	H	Shelf	0/1/2/3
C	Side Panel	2	F	Screw	4/6			

This instruction applies to the following items: **W3018-W3618,W3024,W0936-W3636,W0942-W3642.**

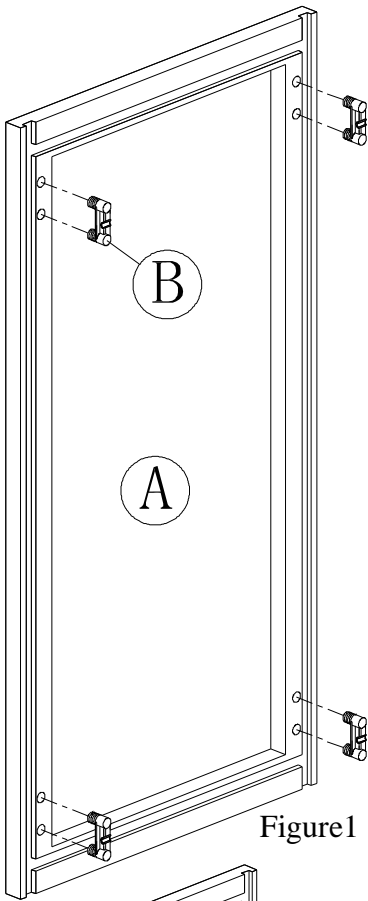


Figure1

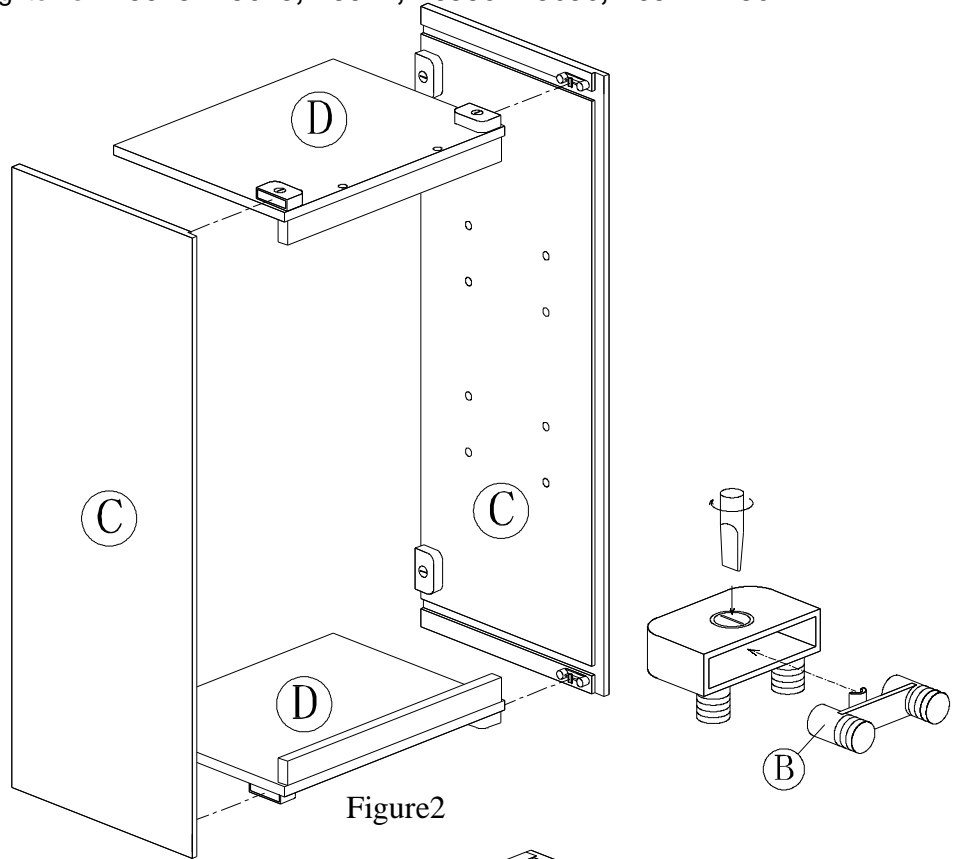


Figure2

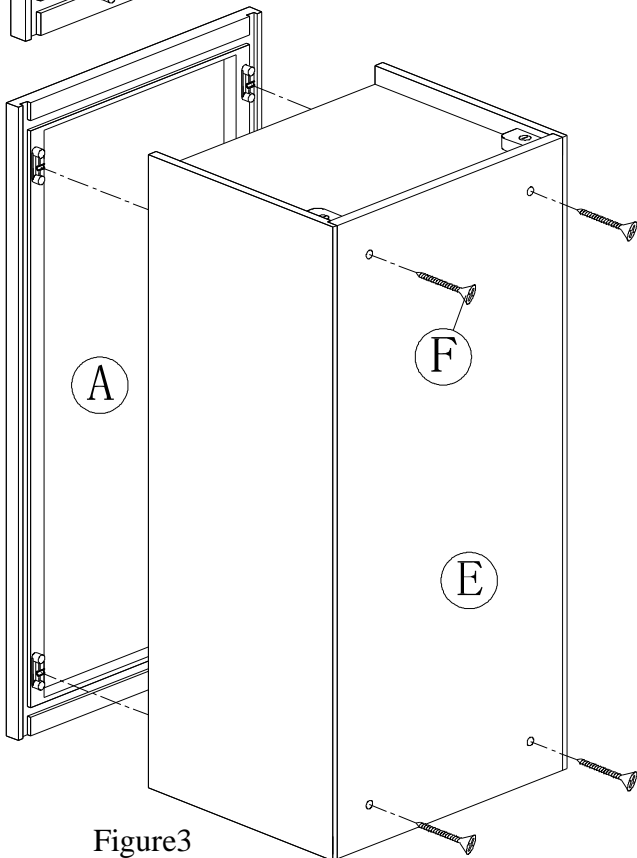


Figure3

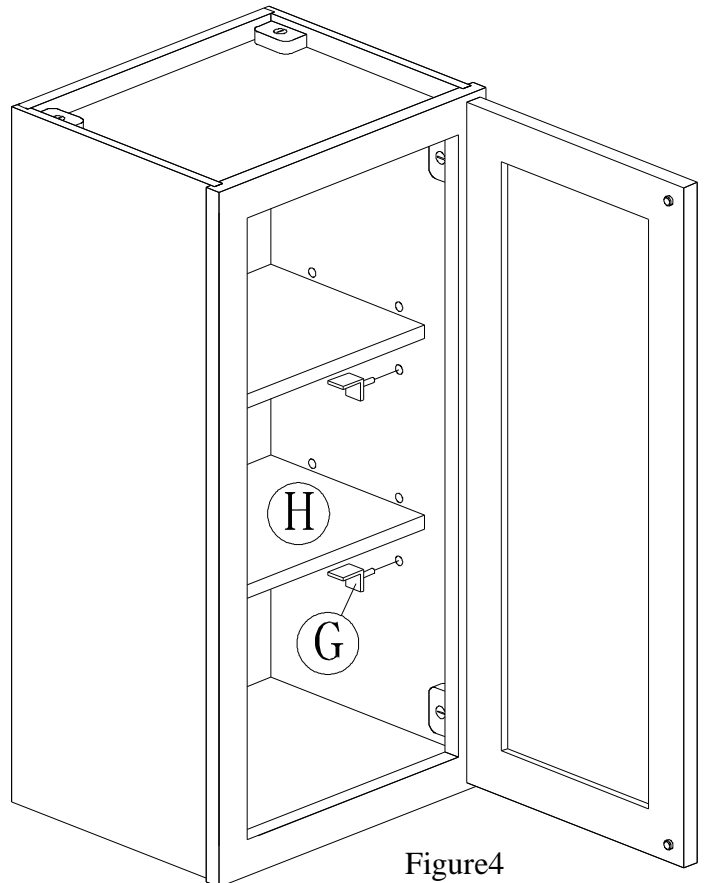


Figure4