

# ASSEMBLY INSTRUCTIONS

## BASE PANTRY PULLOUT CABINET

Part	Descriptions	Qty	Part	Description	Qty	Part	Description	Qty
A	Slide With Screws	1	C	Screw $\phi 3.5 \times 30$	4			
B	Pullout	2	D	Lid	2			

This instructions applies to the following items: **BPP09-Pullout.**

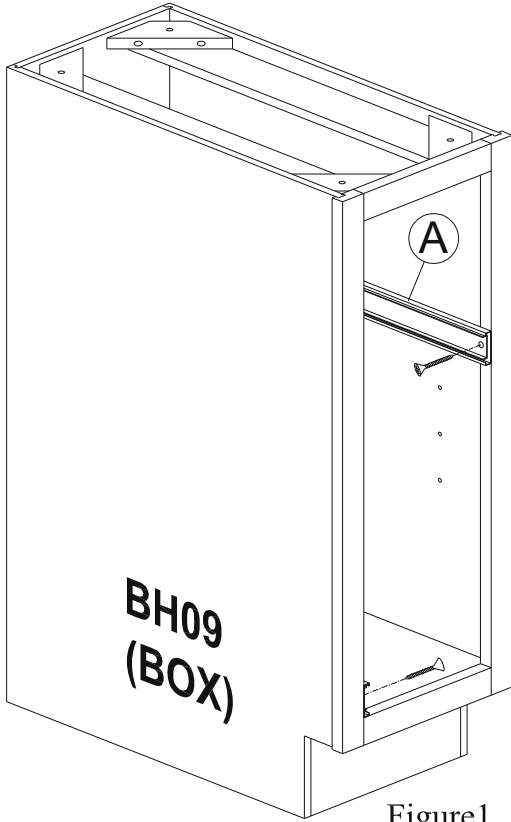


Figure1

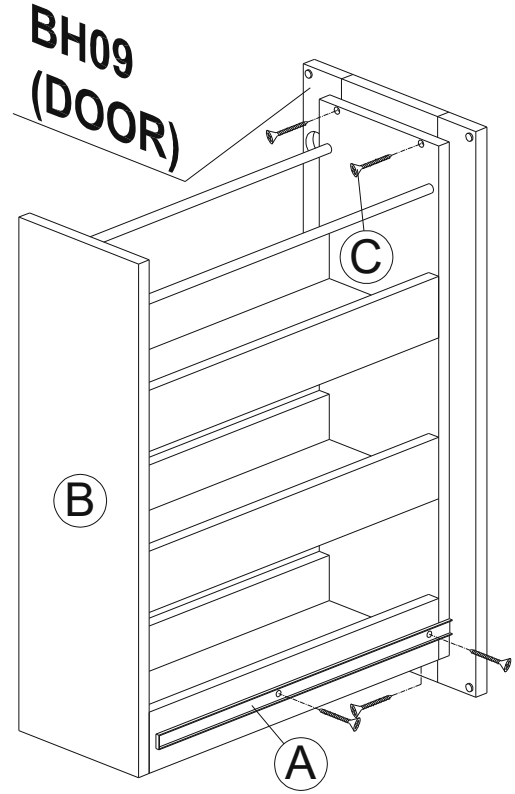


Figure2

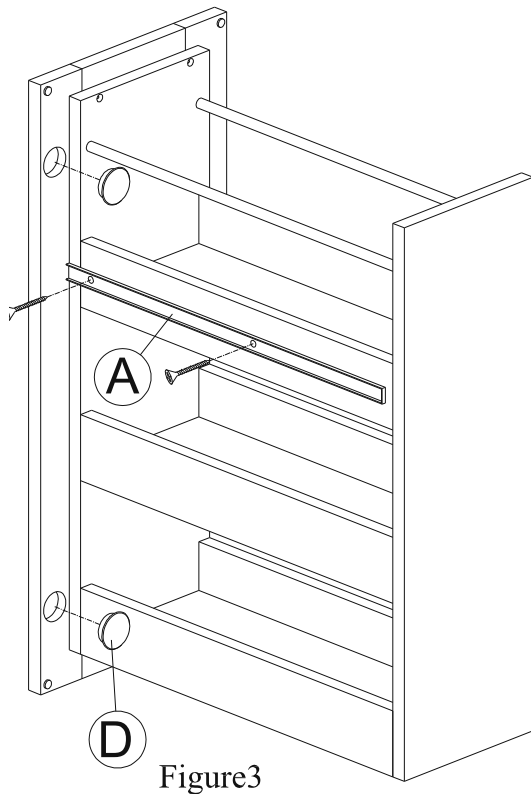


Figure3

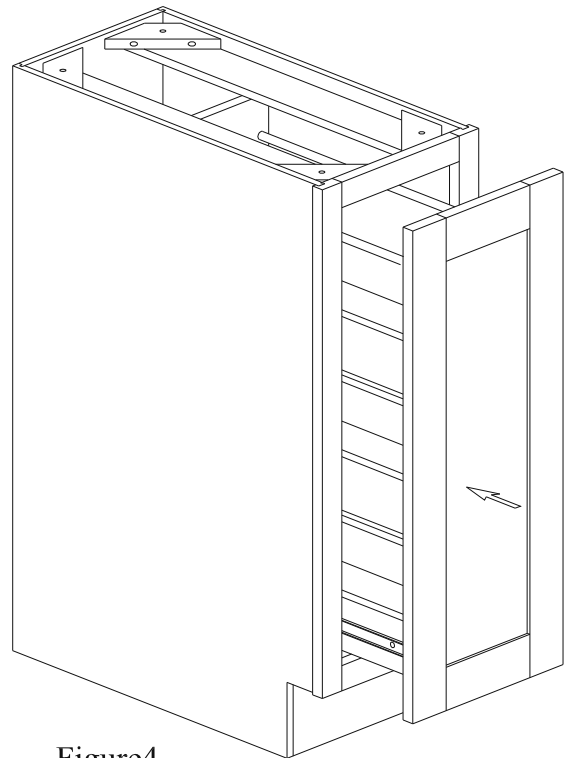


Figure4