

ASSEMBLY INSTRUCTIONS

OVEN CABINET

Part	Descriptions	Qty	Part	Description	Qty	Part	Description	Qty
A,B,C,D	Drawer Parts	3	J	Shelf With Cleat	2	P	Screw $\phi 3.5 \times 12$	24
E	Slide With Screws	3	K	Back Panel	1	Q	Shelf	0/1
F	Face-frame with Door	1	L	Toe Kick	1	R	Shelf Clip	0/4
G	Side Panel	2	M	Screw $\phi 3.5 \times 25$	28	S	Glue (not included)	1
H	Top And Bottom Panel	2	N	L-Shaped Steel	8			
I	Shelf With Cleat	1	O	L-Shaped Steel	2			

This instructions applies to the following items: **OC3384, OC3390, OC3396.**



** Wood glue are required for assembly. Wood glue applied to each notching area for stability (wood glue not included)**

STEP 1: Add a Bead of Glue to the Face Frame and each notching area needed.

STEP 2: Slide-in the Sides to the Frame.

STEP 3: Slide-in the Top and Bottom.

STEP 4: Slide-in the Back to the Cabinet Box.

STEP 5: Slide-in the Back to the Cabinet Box.

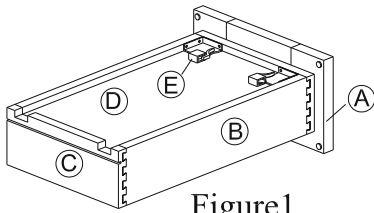


Figure1

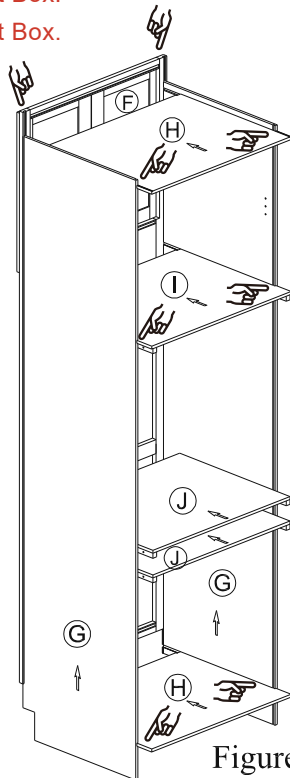
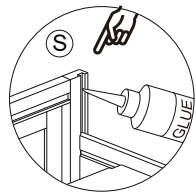


Figure2

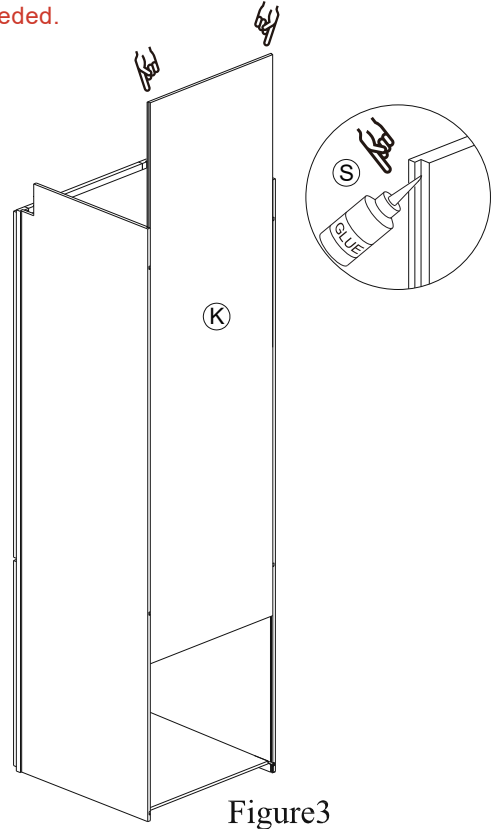


Figure3

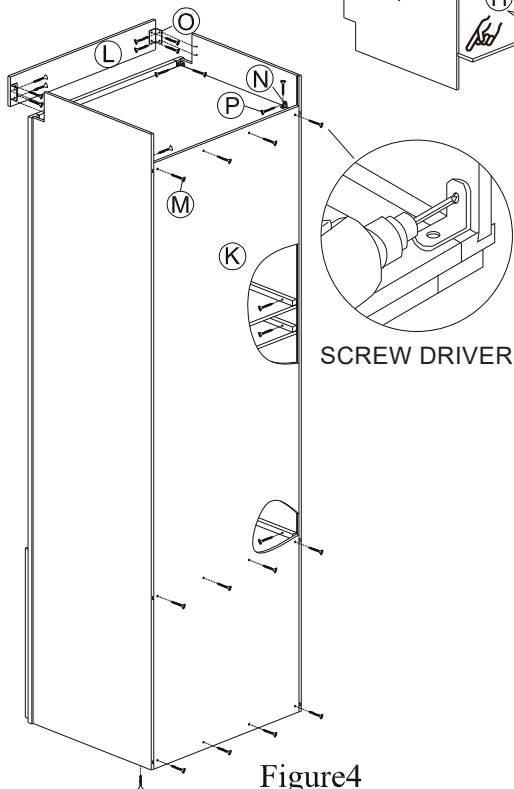


Figure4

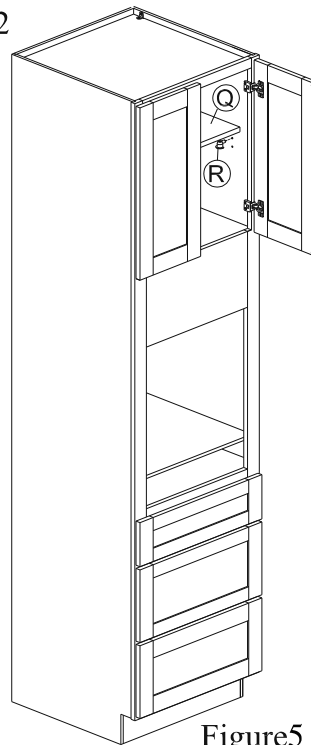


Figure5