

ASSEMBLY INSTRUCTIONS

PANTRY CABINET

Part	Descriptions	Qty	Part	Description	Qty	Part	Description	Qty
A	Face-frame with Door	1	F	Toe Kick	1	K	Shelf	4/5
B	Side Panel	2	G	Screw $\phi 3.5 \times 25$	15	L	Shelf Clip	16/20
C	Top And Bottom Panel	2	H	L-Shaped Steel	8	M	Glue (not included)	1
D	Shelf With Cleat	1	I	L-Shaped Steel	2			
E	Back Panel	1	J	Screw $\phi 3.5 \times 12$	24			

This instructions applies to the following items: **PC1584~PC2484, PC1590~PC2490, PC1596~PC2496.**



Wood glue are required for assembly. Wood glue applied to each notching area for stability (wood glue not included)

STEP 1: Add a Bead of Glue to the Face Frame and each notching area needed.

STEP 2: Slide-in the Sides to the Frame.

STEP 3: Slide-in the Top and Bottom.

STEP 4: Slide-in the Back to the Cabinet Box.

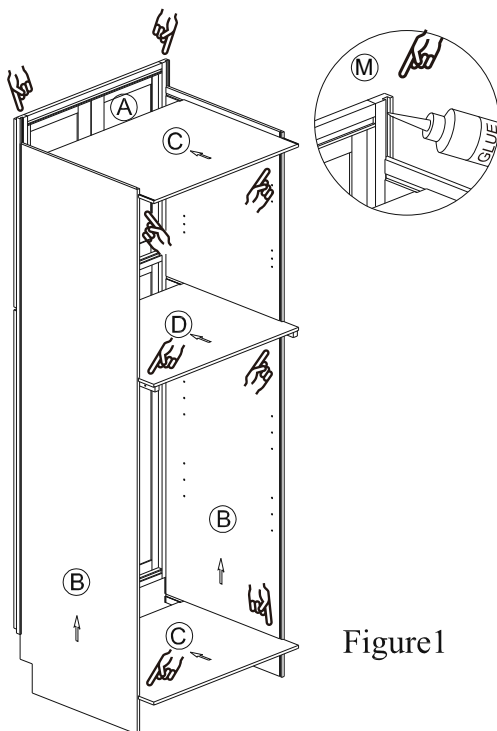


Figure1

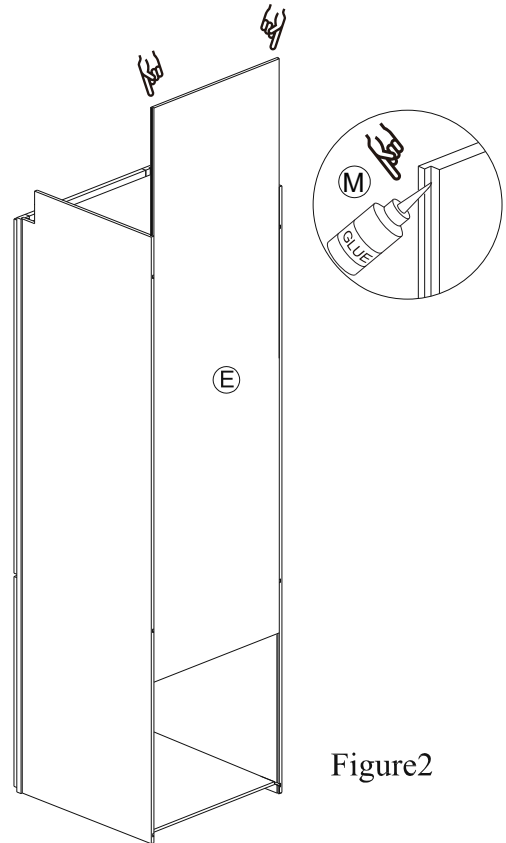
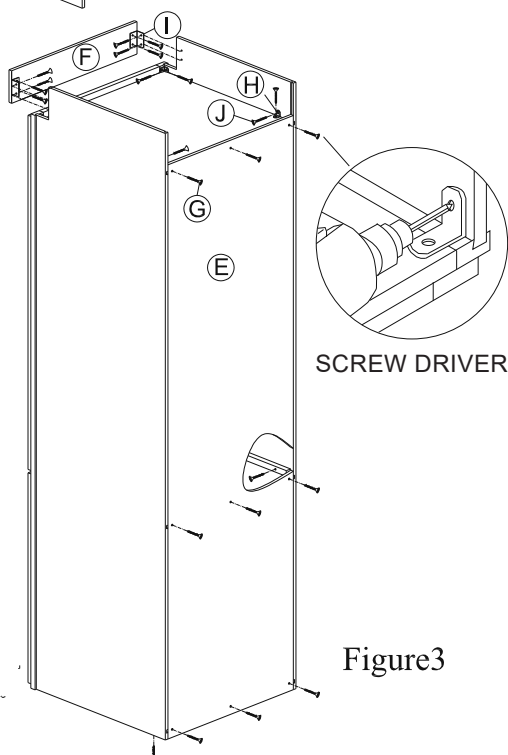


Figure2



SCREW DRIVER

Figure3

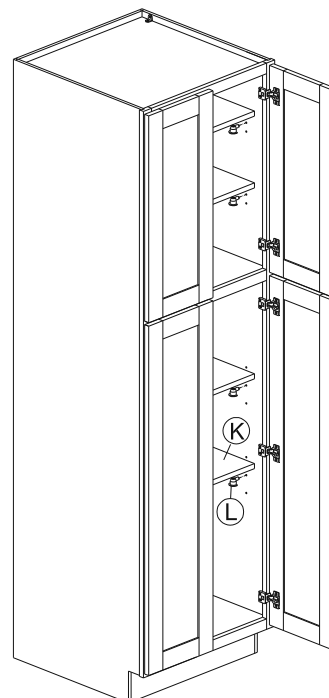


Figure4