

ASSEMBLY INSTRUCTIONS

VANITY KNEE DRAWER

Part	Descriptions	Qty	Part	Description	Qty	Part	Description	Qty
A,B,C,D	Drawer Parts	1	H	Bottom Panel	1	L	L-Shaped Steel	4
E	Slide With Screws	1	I	Rail	2	M	Screw $\phi 3.5 \times 12$	8
F	Face-frame	1	J	Back Panel	1	N	Corner Brace	4
G	Side Panel	2	K	Screw $\phi 3.5 \times 25$	17	O	Glue (not included)	1

This instructions applies to the following items: **VKD3021**.



** Wood glue are required for assembly. Wood glue applied to each notching area for stability (wood glue not included)**

STEP 1: Add a Bead of Glue to the Face Frame and each notching area needed.

STEP 2: Slide-in the Sides to the Frame.

STEP 3: Slide-in the Top and Bottom.

STEP 4: Slide-in the Back to the Cabinet Box.

STEP 5: Secure the Corners of the Box by using the L-Shaped Steel.

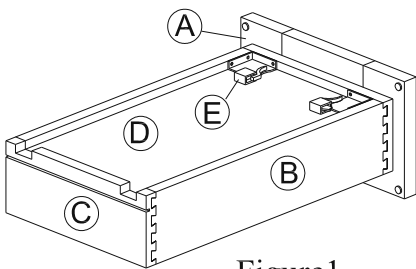
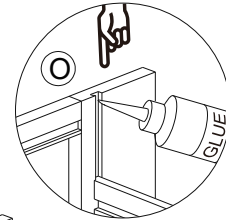


Figure1

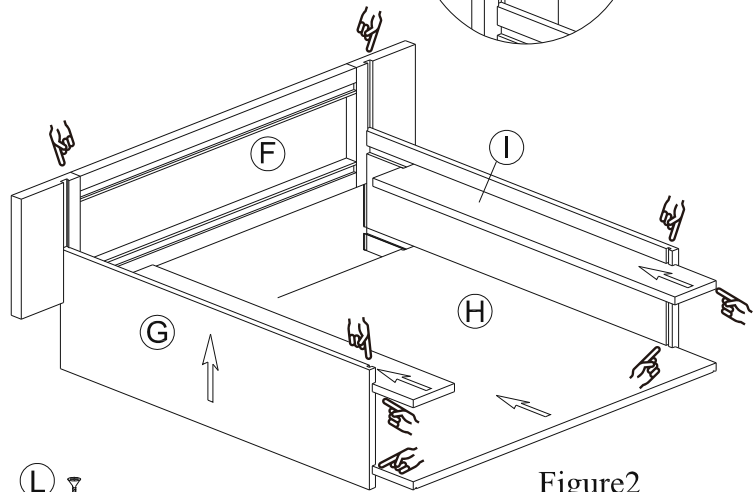


Figure2

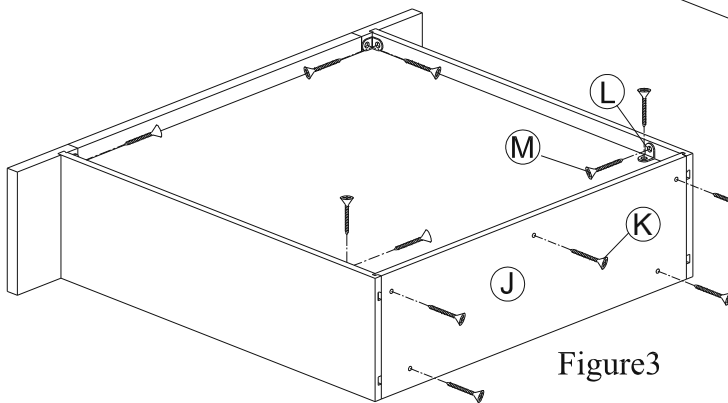
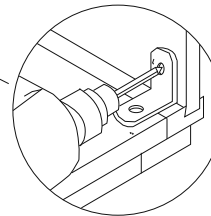


Figure3



SCREW
DRIVER

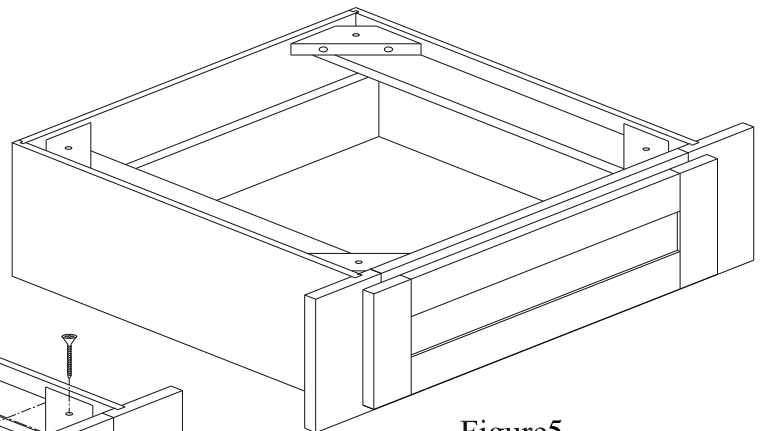


Figure5

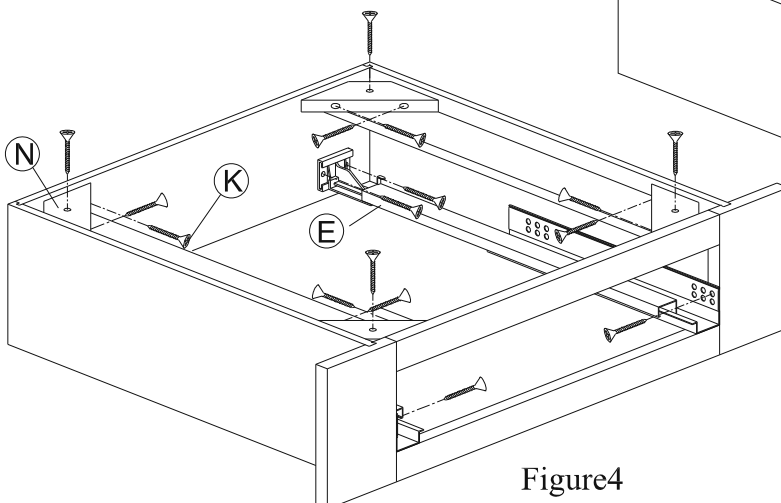


Figure4