

**B09.B12.B15.B18.B21**  
**ASSEMBLY INSTRUCTIONS**

Getting started:

prepare a protection layer, a screwdriver

STEP 1: Joint side panel with back panel

STEP 2: Joint bottom panel with side panel

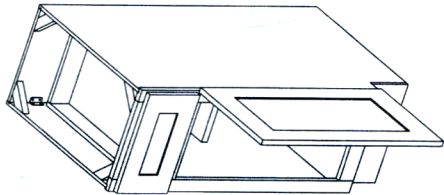
STEP 3: Joint side panel with bottom & back panel

STEP 4: Attach frame on and toekick board

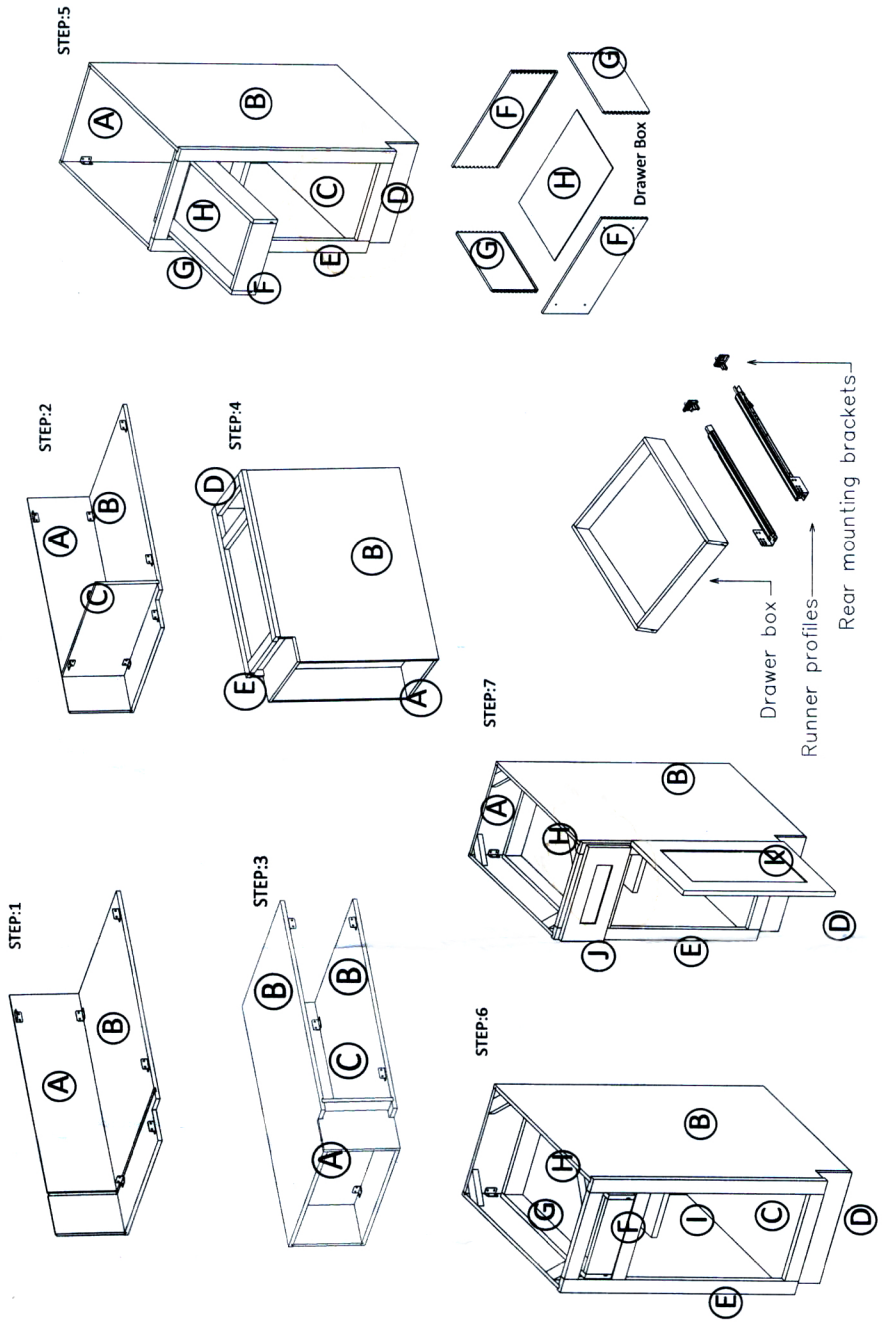
STEP 5: Joint the drawer together, then install the drawer guide.

STEP 6: Attach the metal bracket on the top corner, and put on the adjustable shelf

STEP 7: Fix drawer head on the drawer front and fix door onto the frame and adjust the cover-space



NO.	Description	QTY	PICTURE
10	5/8" FLAT HEAD SCREW FOR CARCASS	4	
9	HINGE	2	
8	3/4" ROUND HEAD SCREW	2	
7	BUMPER	6	
6	DTC Soft Closing Slider	1	
5	SHELF CLIP	4	
4	9/16" ROUND HEAD SCREW	49	
3	CLEAT	10	
2	1" FLAT HEAD SCREW FOR CARCASS	2	
1	METAL BRACKET	4	



PARTS LIST		
NO.	Description	QTY
A	BACK PANEL	1
B	SIDE PANEL	2
C	TOP&BOTTOM PANEL	1
D	TOE KICK	1
E	FACE FRAME	1
F	DRAWER BOX FRONT AND BACK	2
G	DRAWER BOX SIDE	2
H	DRAWER BOX BOTTOM	1
I	ADJUSTABLE SHELF	1
J	DRAWER HEAD	1
K	CABINETS DOOR	1